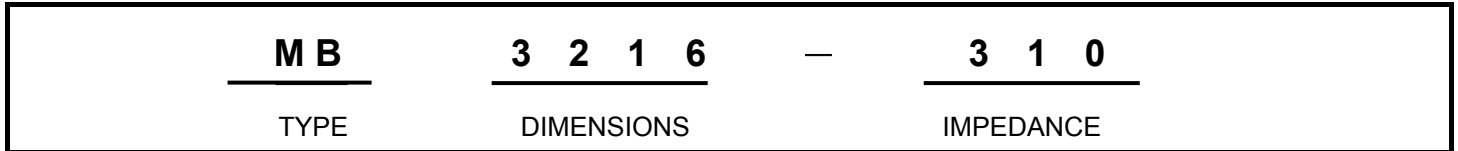




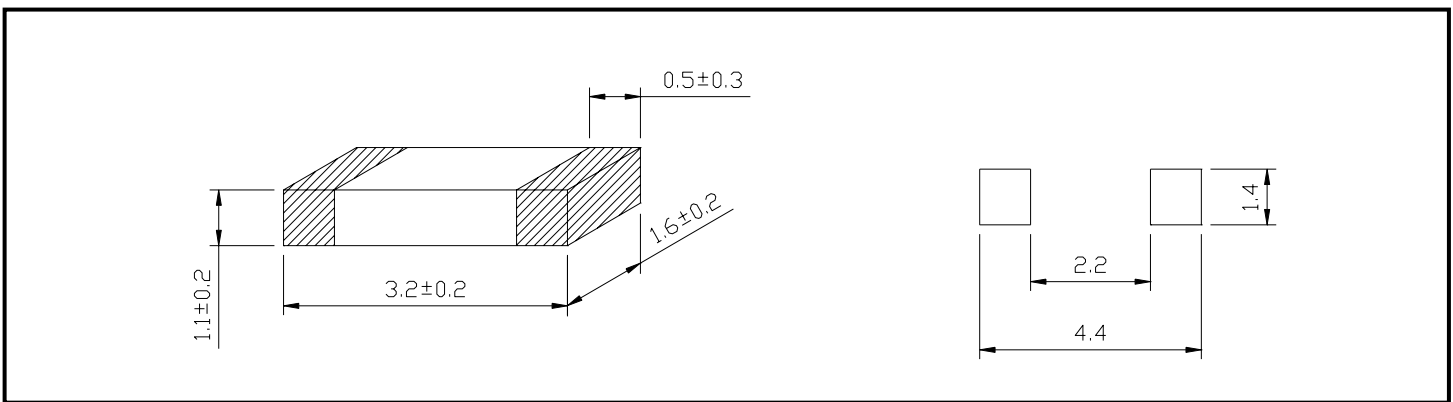
MB3216 SERIES

PART NUMBERING SYSTEM



SHAPES AND DIMENSIONS

UNIT : mm



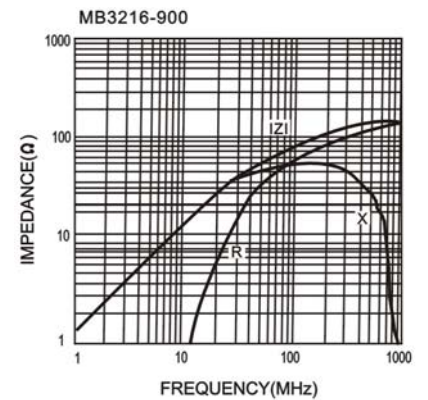
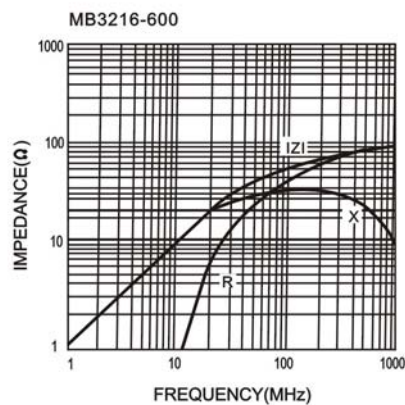
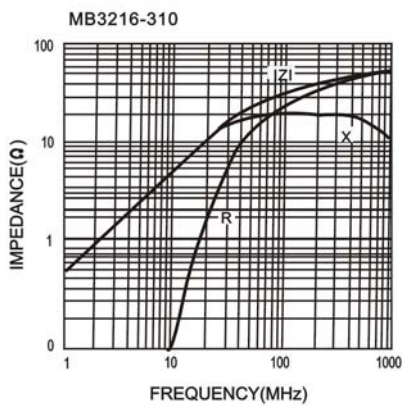
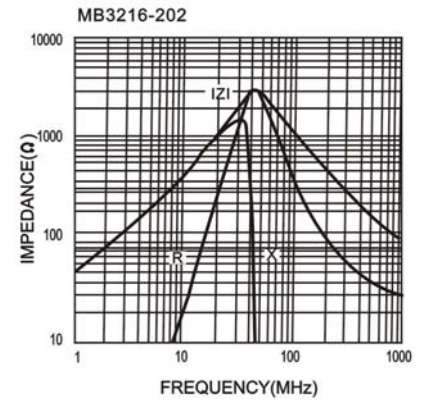
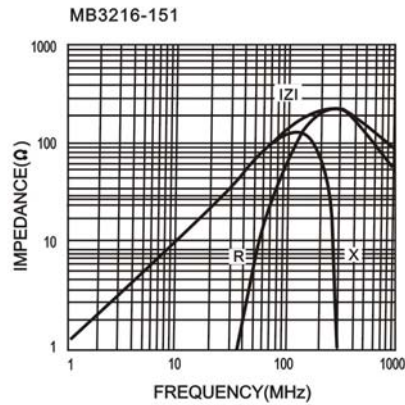
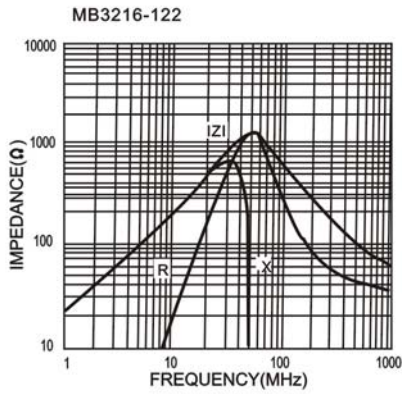
SPECIFICATION TABLE

PART NUMBER	IMPEDANCE (Ω) at 100MHz	DCR (Ω) (max)	IDC (mA) (max)
MB3216-310	31±25%	0.20	500
MB3216-600	60±25%	0.30	400
MB3216-900	90±25%	0.30	300
MB3216-121	120±25%	0.20	300
MB3216-151	150±25%	0.30	300
MB3216-301	300±25%	0.30	300
MB3216-601	600±25%	0.30	200
MB3216-751	750±25%	0.80	200
MB3216-102	1000±25%	1.00	200
MB3216-152	1500±25%(at50MHz)	1.00	200
MB3216-202	2000±25%(at30MHz)	0.60	100

Test equipment : HP-4291 A impedance analyzer or equivalent.



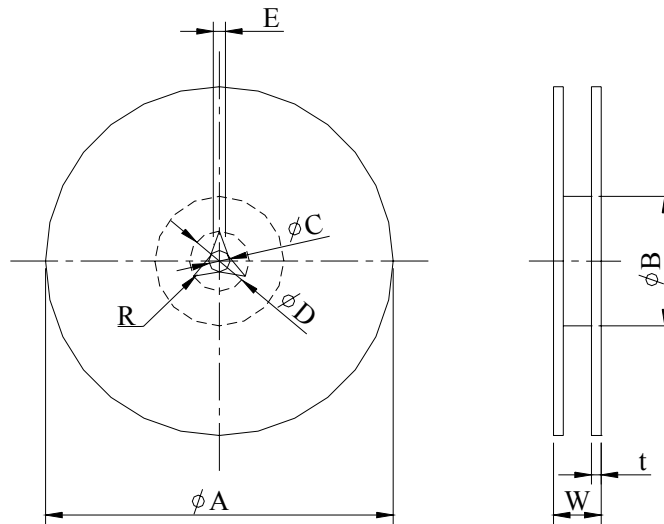
MB3216 SERIES



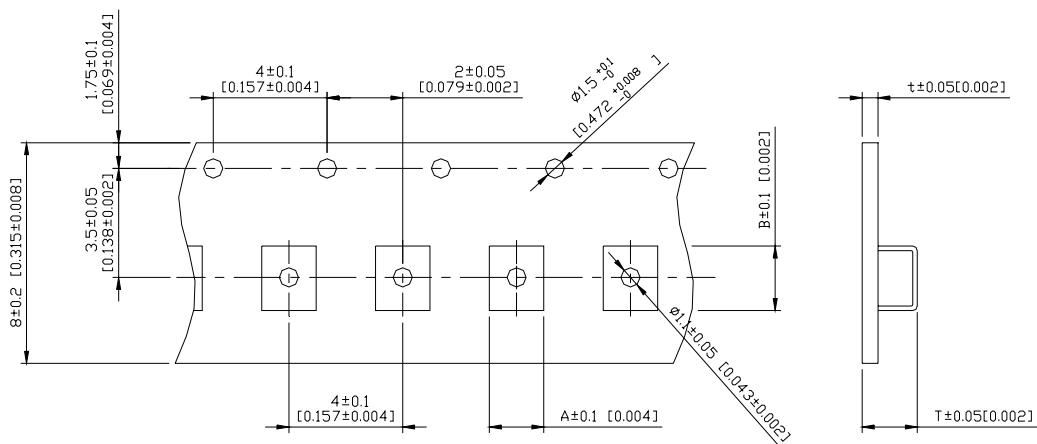


MB3216 SERIES

PACKAGING SPECIFICATION



	A	B	C	D	E	W8	W12	t	R
T($\phi 178\text{mm}$) Reel	$\phi 178\pm 2$	$\phi 60\pm 1$	$\phi 13\pm 0.8$	$\phi 21\pm 0.8$	2	10 ± 1.5	14.5 ± 1.5	1.27 ± 0.2	1
T($\phi 330\text{mm}$) Reel	$\phi 330\pm 2$	$\phi 100\pm 2$	$\phi 13\pm 0.8$	$\phi 21\pm 0.8$	2	10 ± 1.5	14.5 ± 1.5	1.27 ± 0.2	1



TYPE	A	B	T	t	T($\phi 178\text{mm}$)	T($\phi 330\text{mm}$)
3216	1.90	3.50	1.40	0.2	3000 pcs/reel	10000 pcs/reel