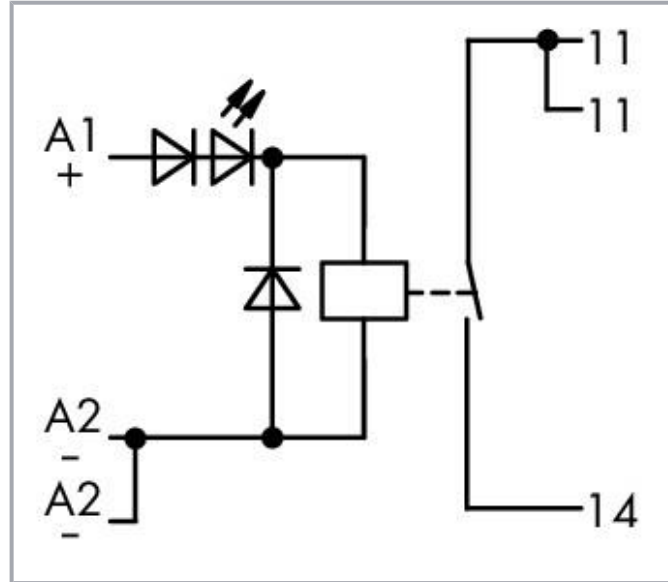


Data sheet | Item number: 286-376

Relay module; Nominal input voltage: 24 VDC; 1 make contact; Limiting continuous current: 5 A; for switching higher DC loads; Red status indicator; Module width: 15 mm; gray

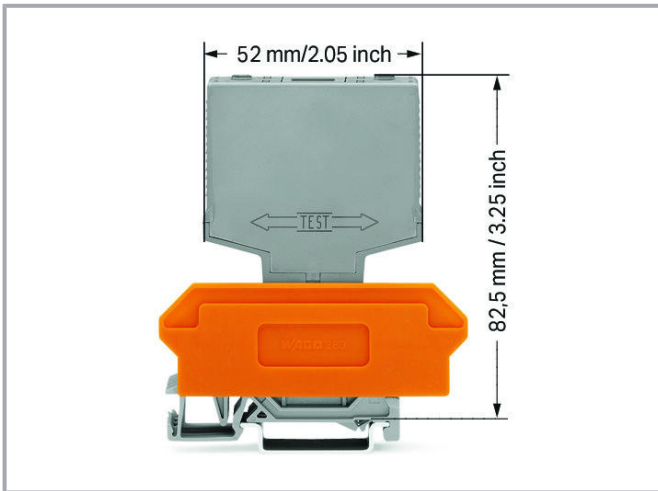
www.wago.com/286-376



Subject to changes. Please also observe the further product documentation!

WAGO GmbH & Co. KG
Hansastr. 27
32423 Minden
Phone: +49571 887-0 | Fax: +49571 887-169
Email: info.de@wago.com | Web: www.wago.com

Do you have any questions about our products?
We are always happy to take your call at +49 (571) 887-44222.



Data

Technical data

Control circuit

Nominal input voltage U_N	DC 24 V
Input voltage range	$\pm 10\%$
Nominal input current at U_N	20 mA

Load circuit

Number of make/switch-on contacts	1
Contact material (relay)	AgNi 0.15
Limiting continuous current	5 A
Inrush current (resistive) (max.)	(AC) 14 A / 4 s
Switching voltage (max.)	AC 250 V
Recommended minimum load	12 V / 10 mA
Pull-in time (typ.)	9 ms
Drop-out time (typ.)	3 ms
Bounce time (typ.)	5 ms
Electrical life (NO; resistive load; 23 °C)	300×10^3 switching operations
Mechanical life	20×10^6 switching operations

Subject to changes. Please also observe the further product documentation!

WAGO GmbH & Co. KG
 Hansastr. 27
 32423 Minden
 Phone: +49571 887-0 | Fax: +49571 887-169
 Email: info.de@wago.com | Web: www.wago.com

Do you have any questions about our products?
 We are always happy to take your call at +49 (571) 887-44222.

Safety and protection

Rated voltage	250 V
Rated surge voltage	4 kV
Pollution degree	2
Dielectric strength, control/load circuit (AC, 1 min)	4 kVrms
Dielectric strength, open contact (AC, 1 min)	2 kVrms
Protection type	IP20

Physical data

Width	15 mm / 0.591 inch
Height from upper-edge of DIN-rail	82.5 mm / 3.248 inch
Depth	52 mm / 2.047 inch

Mechanical data

Mounting type	Pluggable module for receptacle terminal blocks
---------------	---

Material data

Color	gray
Fire load	0.641 MJ
Weight	35 g

Environmental requirements

Surrounding air temperature (operation at U_N)	-25 ... 40 °C
Surrounding air temperature (storage)	-25 ... 70 °C
Processing temperature	-25 ... +50 °C
Relative humidity	5 ... 75 % (no condensation permissible)
Operating altitude (max.)	2000 m

Standards and specifications

Standards/Specifications	EN 60664-1
--------------------------	------------

Commercial data


Product Group	6 (Interface Electronics)
PU (SPU)	15 (1) Stück

Subject to changes. Please also observe the further product documentation!




Packaging type	box
Country of origin	DE
GTIN	4045454717933
Customs tariff number	85364900990

Optional accessories

Marking accessories

Marker	
	<p>Item no.: 209-701 WSB marking card; as card; not stretchable; plain; snap-on type; white</p> <p>www.wago.com/209-701</p>

Terminal blocks

Terminal block for pluggable modules	
	<p>Item no.: 280-619 Terminal block for pluggable modules; 6-pole; with 2-conductor terminal blocks; with orange separator; www.wago.com/280-619 for DIN-rail 35 x 15 and 35 x 7.5; 2.5 mm²; CAGE CLAMP®; 2,50 mm²; gray</p>
	<p>Item no.: 280-609 Terminal block for pluggable modules; 6-pole; with 4-conductor terminal blocks; with orange separator; www.wago.com/280-609 for DIN-rail 35 x 15 and 35 x 7.5; 2.5 mm²; CAGE CLAMP®; 2,50 mm²; gray</p>
	<p>Item no.: 280-763 Terminal block for pluggable modules; 6-pole; with 4-conductor terminal blocks; with marker carrier; www.wago.com/280-763 with orange separator; for DIN-rail 35 x 15 and 35 x 7.5; 2.5 mm²; CAGE CLAMP®; 2,50 mm²; gray</p>

Downloads

Documentation

Bid Text

286-376 X81 - Datei	2019. 2. 19.	xml 3.8 kB	Download
286-376 doc - Datei	2015. 3. 26.	doc 28.7 kB	Download

Instruction Leaflet

		pdf 1.3 MB	Download
--	--	---------------	----------

Additional Information

Disposal; Electrical and electronic equipment, Packaging	V 1.0.0	pdf 265.8 kB	Download
--	---------	-----------------	----------

Subject to changes. Please also observe the further product documentation!

CAD/CAE-Data

CAE data

WSCAD Universe 286-376

[URL](#)

[Download](#)

Environmental Product Compliance

Compliance Search

Environmental Product Compliance 286-376

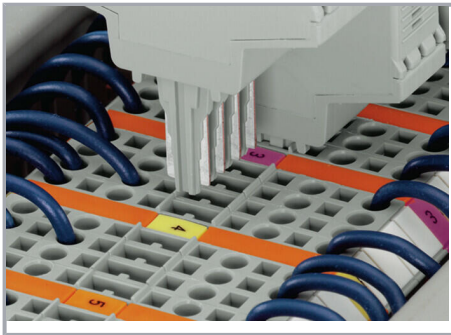
[URL](#)

[Download](#)

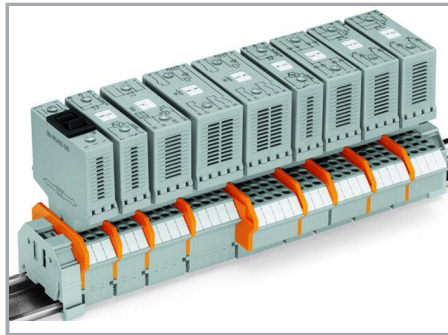
Relay module; Nominal input voltage: 24 VDC; 1 make contact; Limiting continuous current: 5 A; for switching higher DC loads; Red status indicator; Module width: 15 mm; gray

Installation Notes

Assembly



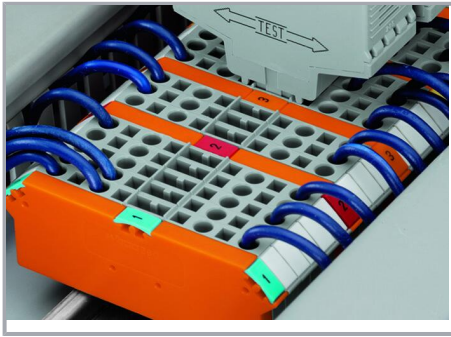
Coding ensures correct polarity.



Pluggable electronic modules on 2- or 4-conductor carrier terminal blocks

Marking

Subject to changes. Please also observe the further product documentation!



Marking via WMB Multi Marking System.

Testing



Function testing via touch-proof test slots

Subject to changes. Please also observe the further product documentation!