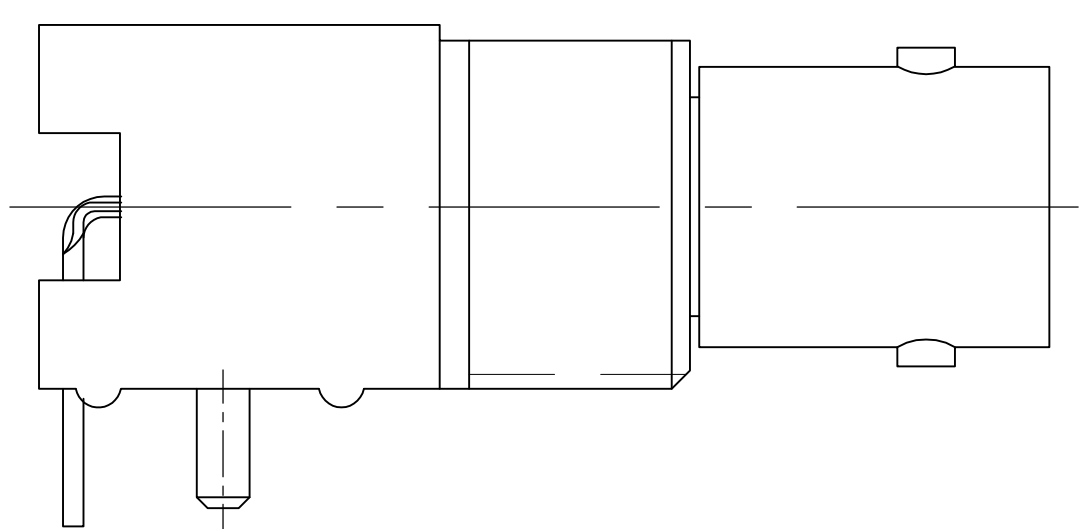
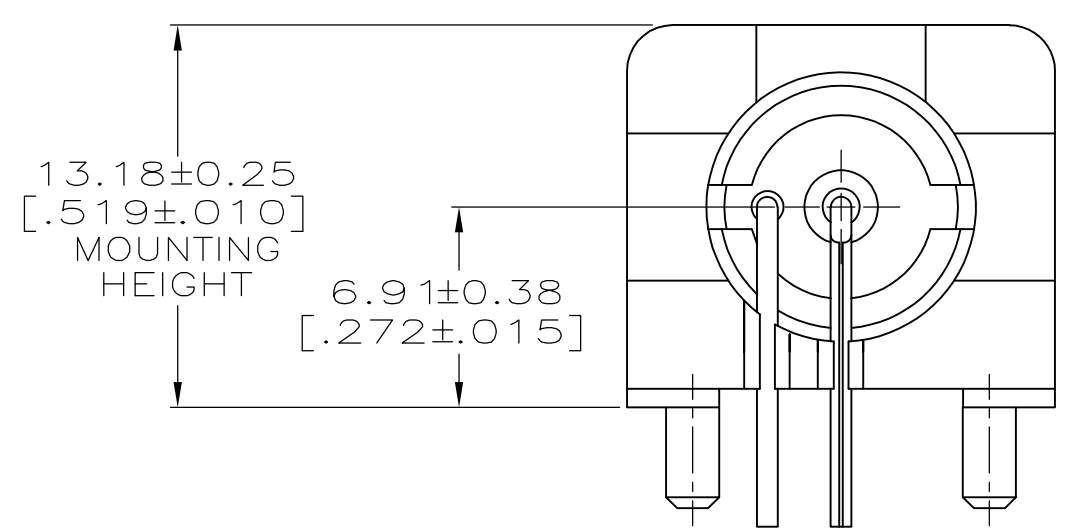
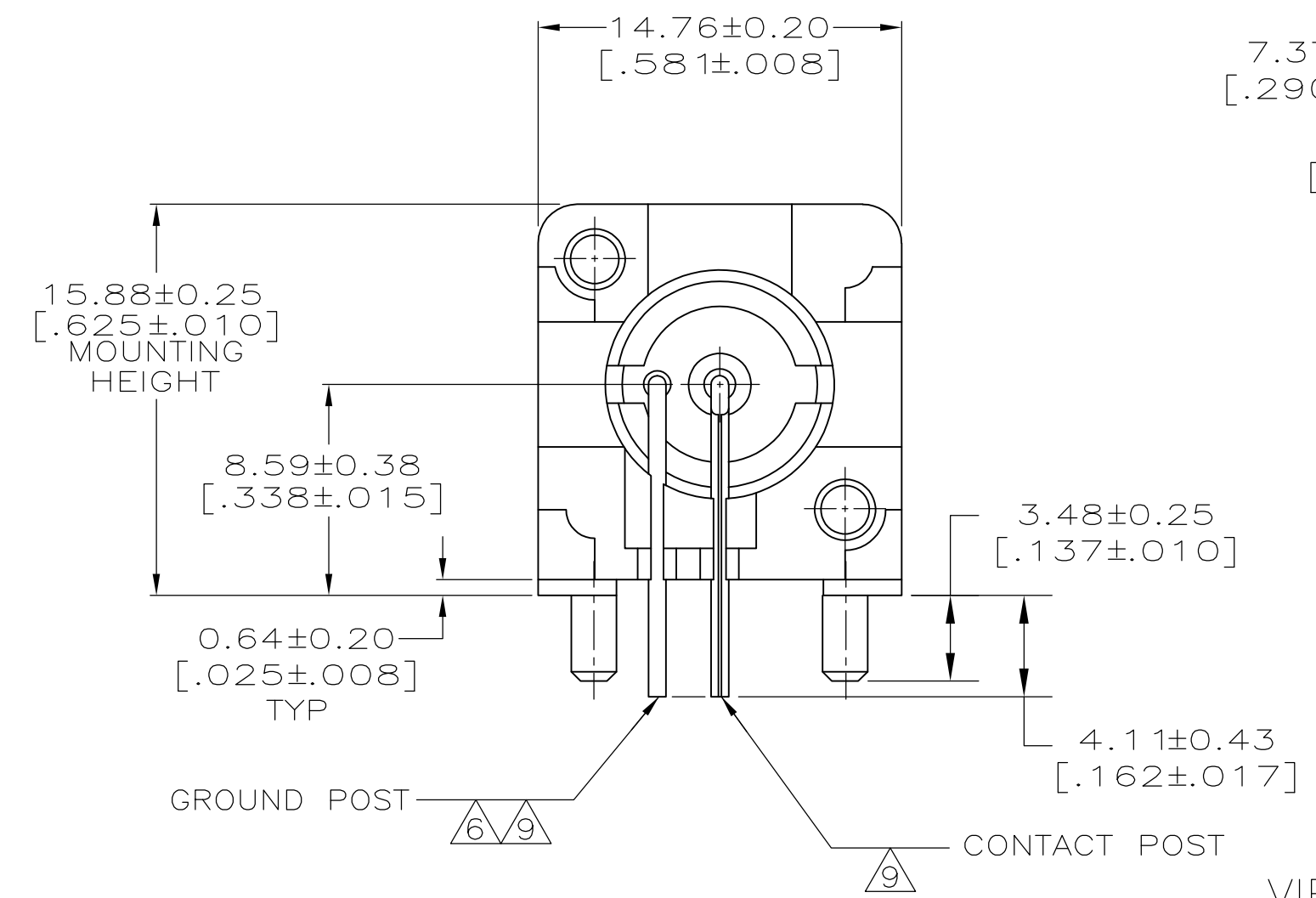


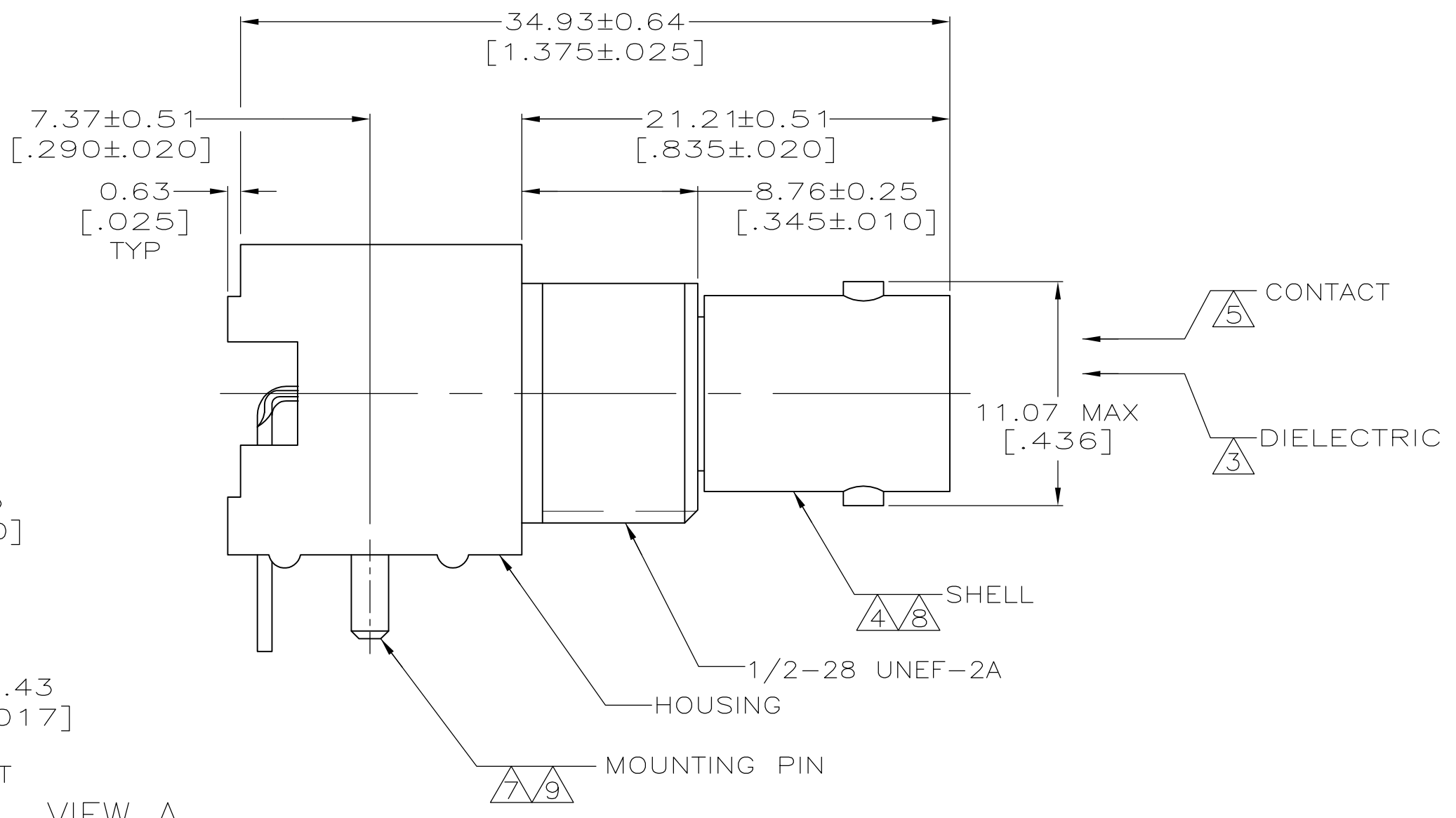
LOC	DIST	REVISIONS			
P	LR	DESCRIPTION	DATE	OWN	APPD
AJ	16	B1	REVISED PER ECO-11-005030	11MAR11	RK HMR



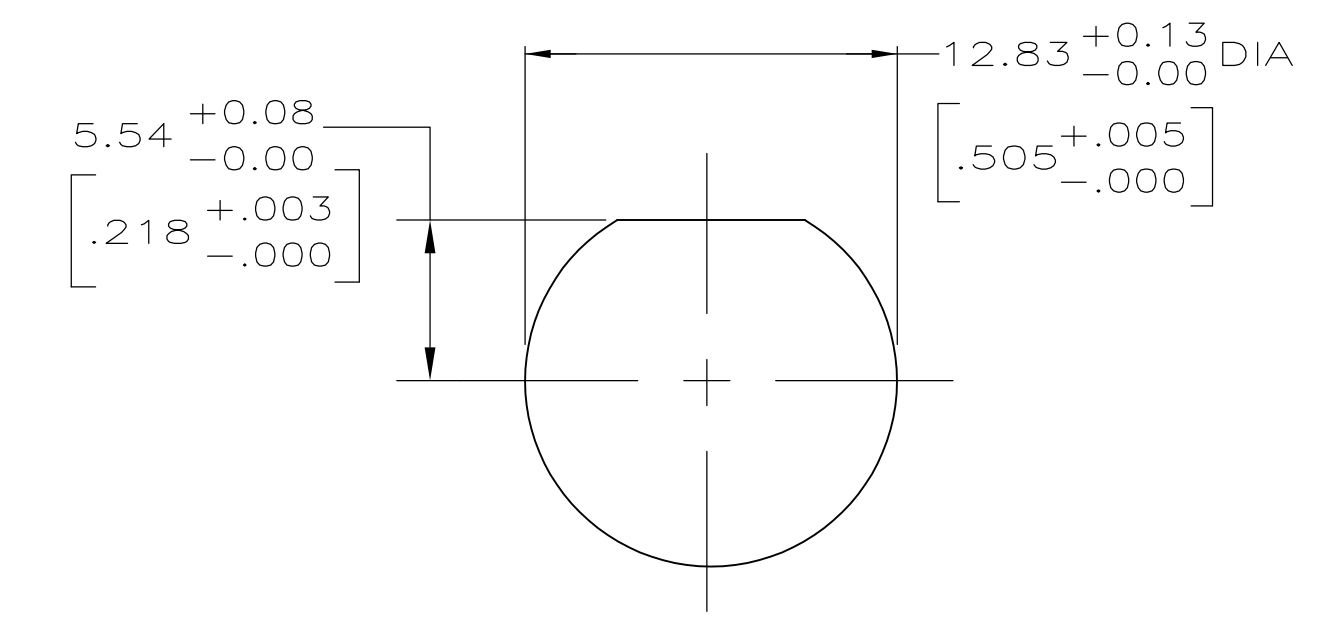
VIEW C
(SAME AS VIEW A EXCEPT AS SHOWN)



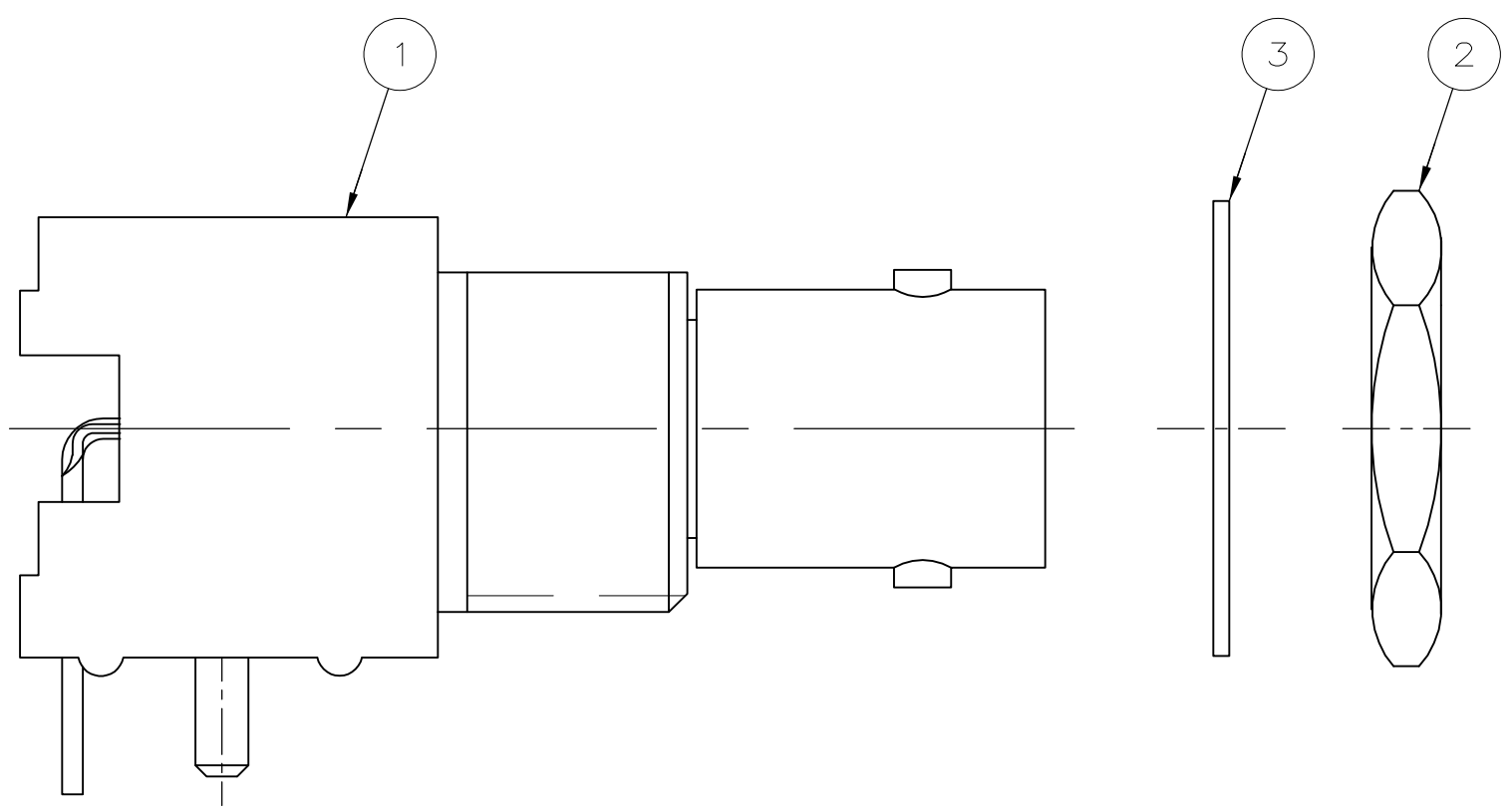
VIEW A



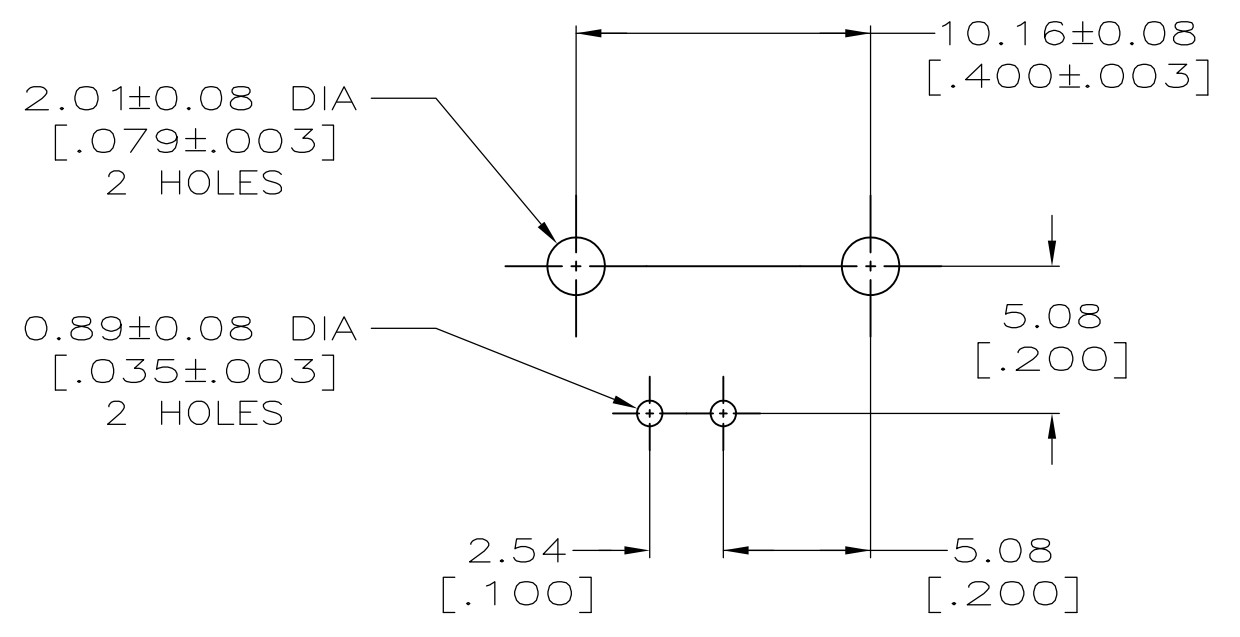
- 1 POLYESTER PBT PER MIL-M-24519, TYPE GPT-15F, UL94V-O RATED, COLOR:WHITE
- 2 POLYESTER PBT PER MIL-M-24519, TYPE GPT-15F, UL94V-O RATED, COLOR:BLACK
- 3 POLYMETHYLPENTENE, GENERAL PURPOSE.
- 4 ZINC PER QQ-Z-363.
- 5 PHOSPHOR BRONZE PER QQ-B-750.
- 6 BRASS PER ASTM-B-453.
- 7 BRASS PER ASTM-B-16.
- 8 NICKEL PLATE PER QQ-N-290, 3.81 μm [.000150] MINIMUM THICK.
- 9 TIN PLATE PER ASTM-B-545, 3.81 μm [.000150] MINIMUM THICK.
- 10 GOLD PLATE PER MIL-G-45204, 0.76 μm [.000030] MINIMUM THICK.
- 11 GOLD PLATE PER MIL-G-45204, 1.27 μm [.000050] MINIMUM THICK.
- 12. SEE INSTRUCTION SHEET 408-2769.



RECOMMENDED PANEL CUTOUT



VIEW B



PCB CONFIGURATION

CONTACT FINISH	HOUSING MATERIAL	VIEW	LOCKWASHER	JAM NUT QTY=1	ASSEMBLY QTY=1	PART NUMBER
-	-	B	1-329632-2	1-329631-2	5227161-9	1-5227161-7
-	-	B	1-329632-2	1-329631-2	5227161-6	1-5227161-6
1	1	C	-	-	-	1-5227161-5
10	1	C	-	-	-	5227161-9
10	1	C	-	-	-	5227161-7
10	1	A	-	-	-	5227161-6
10	1	A	-	-	-	5227161-3
9	1	A	-	-	-	5227161-2
9	1	A	-	-	-	5227161-1

THIS DRAWING IS A CONTROLLED DOCUMENT.

DWN: L. VARELA - DOCK5
 CHK: J. HAVENER
 20APR2005

TE Connectivity

NAME: JACK, RIGHT ANGLE, 50 OHM, PCB, BNC

PRODUCT SPEC: 108-12078

APPLICATION SPEC: -

SIZE: A1
 CAGE CODE: 00779
 DRAWING NO: 5227161

SCALE: 4:1
 SHEET: 1 OF 1
 REV: B1