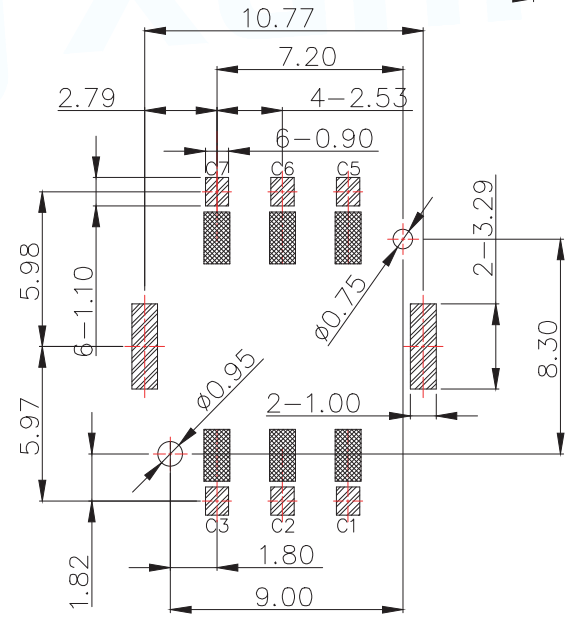
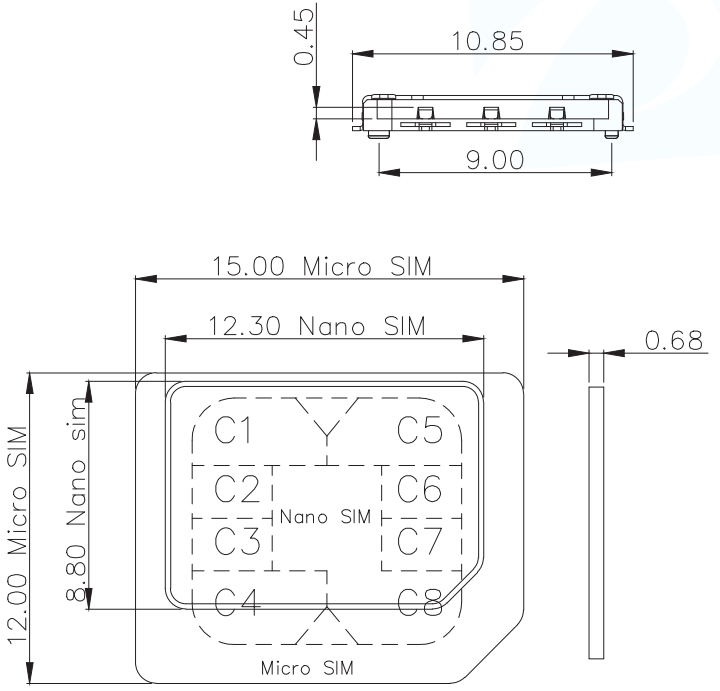
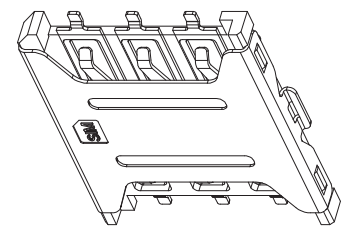


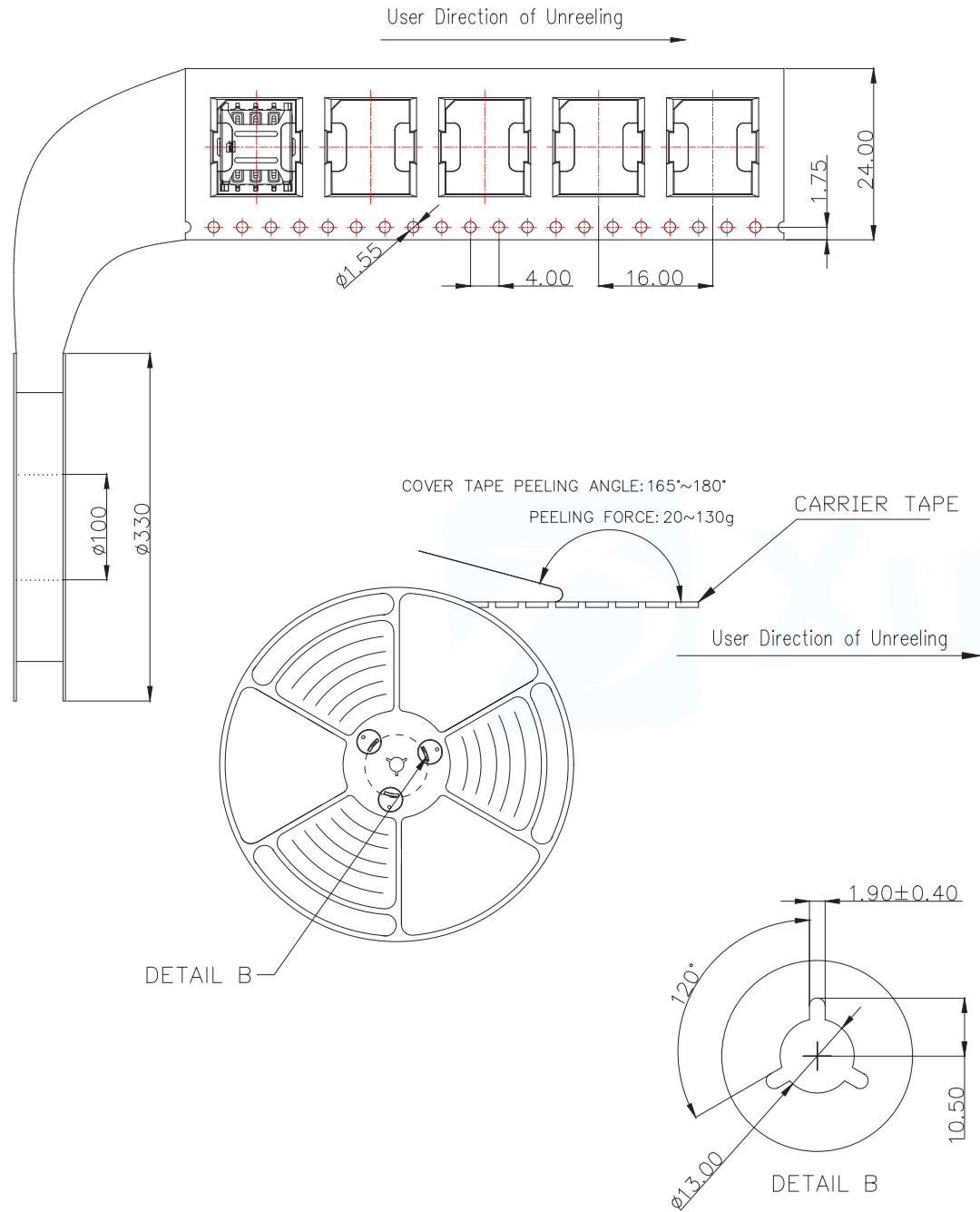
SPECIFICATION
MATERIAL:
 INSULATOR: HIGH TEMPERATURE THERMOPLASTIC,UL 94V-0.
 CONTACT: C5210
 SHELL: SUS
PLATING:
 CONTACT: PLATED 50U" NI OVERALL CONTACT ALL AU 1U
 SHELL: PLATED 50U" NI OVERALL,PAD AU 1U
ELECTRICAL:
 CURRENT RATING: 0.5MA AC/DC MAX
 VOLTAGE RATING: 125V AC/DC
 AMBIENT TEMPERATURE RANGE: -20°C~+60°C
 STORAGE TEMPERATURE RANGE: -40°C~+70°C
 AMBIENT HUMIDITY RANGE: 95% R.H. MAX.
 CONTACT RESISTANCE: 100M Ω MAX.
 INSULATION RESISTANCE: 1000M Ω MIN./500VDC
 REFLOW PEAK TEMP: 260°C \pm 5°C, 3~5 S
 MATING CYCLES: 3,000 INSERTIONS MIN

NANO SIM CARD	
Pin No.	NAME
C1	VCC OF SIM
C2	RST OF SIM
C3	CLK OF SIM
C5	GND OF SIM
C6	VPP OF SIM
C7	I/O OF SIM
C4/C8	N/A



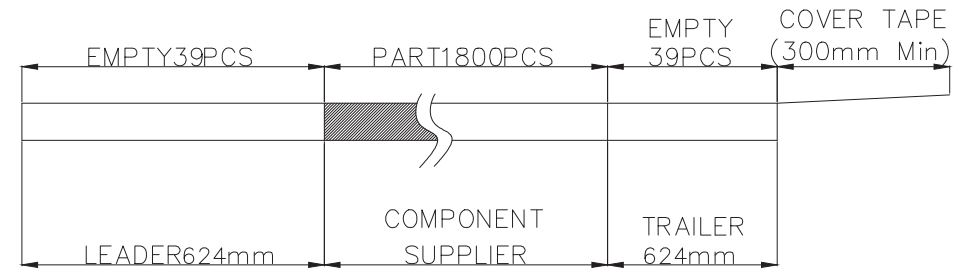
▨ PAD AREA
 ▩ KEEP OUT AREA
 RECOMMENDED PCB LAYOUT
 GENERAL TOLERANCE ± 0.05

MANUFACTURE DWG			东莞市讯普电子科技有限公司 DongGuan XunPu Electronics Co.,Ltd	
UNLESS OTHERWISE SPECIFIED TOLERANCES			TITLE: NANO SIM CARD PUSH PULL 6PIN H1.35 带柱	
DECIMALS:	ANGLES:	PAR	SMN-304	
X.: ± 0.50	X.': $\pm 2'$	DWN		
X.X: ± 0.30	X.X': $\pm 1'$	CHKD		
X.XX: ± 0.20	X.XX': $\pm 0.5'$	APVD		
CUSTOMER COPY		SCALE: 1:1	UNIT: MM	
		SIZE: A4	SHEET: 1F1	REV: A

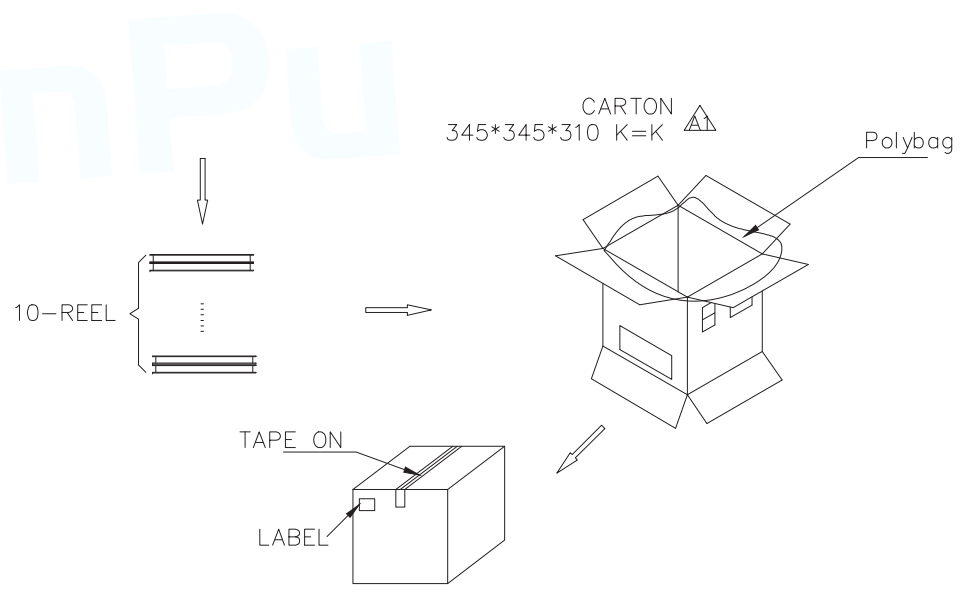


NOTES

1. NUMBER OF CONNECTORS: 1800PCS/REEL
2. LEAD TAPE LENGTH



3. QUANTITY 18000PCS/CARTON



MANUFACTURE DWG		东莞市讯普电子科技有限公司 DongGuan XunPu Electronics Co., Ltd	
UNLESS OTHERWISE SPECIFIED TOLERANCES		TITLE: NANO SIM CARD PUSH PULL 6PIN H1.35 带柱 包装图 PAR SMN-304	
DECIMALS:	ANGLES:	DWN	
X.: ±0.50	X.: ±2°	CHKD	
X.X: ±0.30	X.X': ±1°	APVD	
X.XX: ±0.20	X.XX': ±0.5°	SCALE: 1:1	UNIT: MM
CUSTOMER COPY		SIZE: A4	SHEET: 1F1
			REV: A