

**PLEASE CHECK WWW.MOLEX.COM FOR LATEST PART INFORMATION**

**Part Number:** [0503988000](#)  
**Status:** **Active**  
**Description:** 2.50mm (.098") Pitch Crimp Terminal, 50398, Reel

**Documents:**

[3D Model](#) [Product Specification PS-51111-001 \(PDF\)](#)  
[Drawing \(PDF\)](#) [RoHS Certificate of Compliance \(PDF\)](#)

**General**

Product Family Crimp Terminals  
 Series [50398](#)  
 Crimp Quality Equipment Yes  
 Product Name N/A

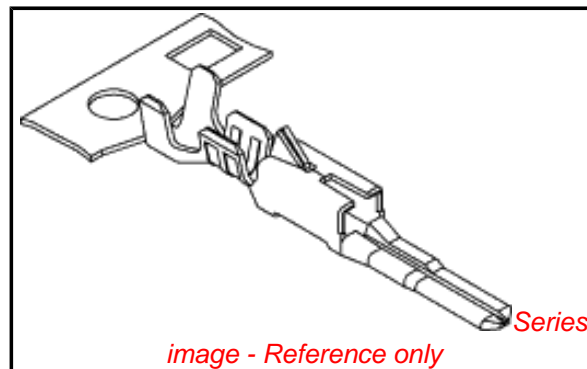
**Physical**

Gender Male  
 Material - Metal Phosphor Bronze  
 Material - Plating Mating Tin  
 Material - Plating Termination Tin  
 Packaging Type Reel  
 Plating min: Mating (µin) 36  
 Plating min: Mating (µm) 0.90  
 Plating min: Termination (µin) 36  
 Plating min: Termination (µm) 0.90  
 Termination Interface: Style Crimp or Compression  
 Wire Insulation Diameter 1.15-1.80mm (.045-.071")  
 Wire Size AWG 22, 24, 26, 28  
 Wire Size mm² N/A

**Material Info**

**Reference - Drawing Numbers**

Product Specification PS-51111-001, RPS-500592-001, RPS-500592-002,  
 RPS-500592-003, RPS-51111-004, RPS-51111-007,  
 RPS-51112-003  
 Sales Drawing SD-50398-001



**EU RoHS**

**ELV and RoHS  
 Compliant**  
**REACH SVHC**  
**Contains SVHC: No**  
**Halogen-Free  
 Status**

**China RoHS**



**Need more information on product  
 environmental compliance?**

Email [productcompliance@molex.com](mailto:productcompliance@molex.com)  
 For a multiple part number RoHS Certificate of  
 Compliance, [click here](#)

Please visit the [Contact Us](#) section for any  
 non-product compliance questions.

**Search Parts in this Series**

[50398Series](#)

**Mates With**

[50397](#)

**Use With**

[51112](#)

**Application Tooling | [FAQ](#)**

*Tooling specifications and manuals are  
 found by selecting the products below.  
 Crimp Height Specifications are then  
 contained in the Application Tooling  
 Specification document.*

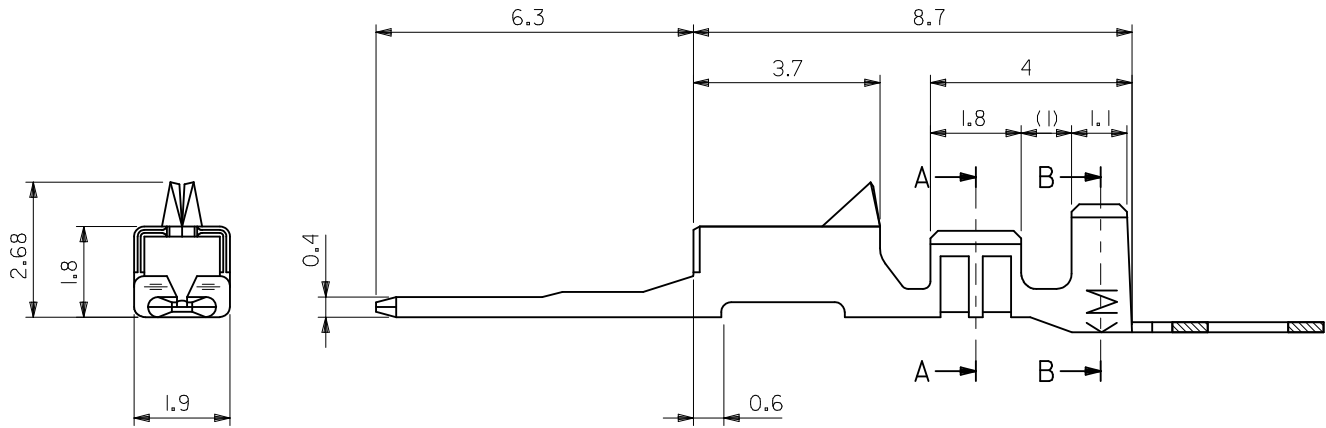
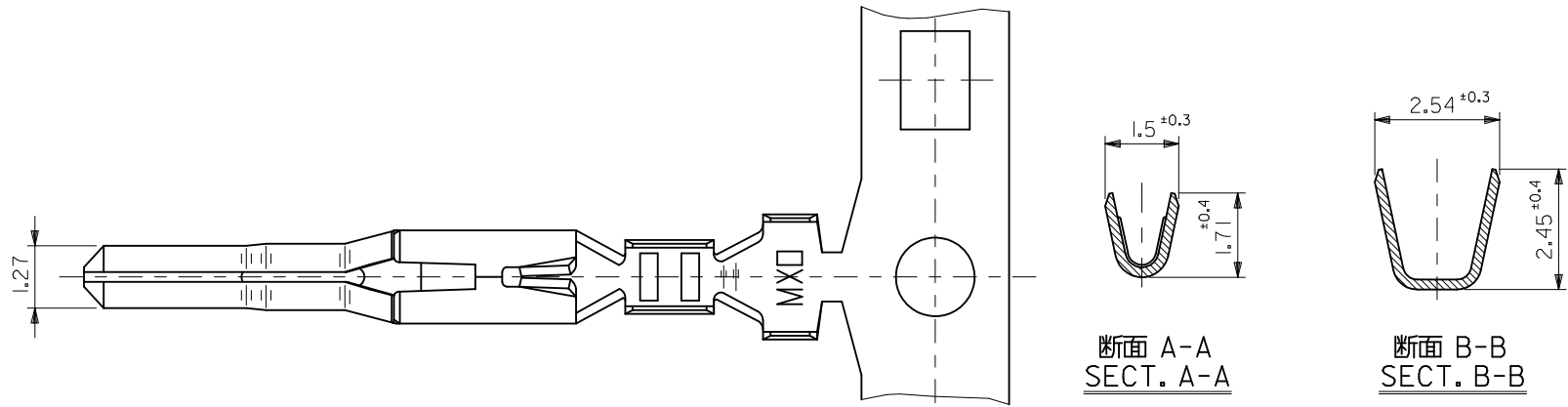
**Japan**

Description	Product #
Applicator for M211A Bench Press, 22-28 AWG, for 50397 and 50398 Crimp Terminal	<a href="#">0573163000</a>

Side-Feed Applicator 0573163200  
For Full-Auto  
Machine  
Hand Extraction Tool 0573166000  
Extraction Tool 0573166100

This document was generated on 04/15/2010

**PLEASE CHECK [WWW.MOLEX.COM](http://WWW.MOLEX.COM) FOR LATEST PART INFORMATION**



注記  
NOTES

- 適合ハウジング : 51112シリーズ  
APPLICABLE HOUSING : 51112 SERIES
- 材料 MATERIAL  
りん青銅 (t = 0.2)  
PHOSPHOR BRONZE  
錫メッキ 0.9 μm 以上 リフロー処理 (前めっき)  
TIN 0.9 μm MIN. REFLOW TREATMENT (PRE-PLATED)
- 適用電線サイズ AWG #22-28  
被覆外径 : 1.15~1.8mm
- ELV及びRoHS適合品  
ELV AND RoHS COMPLIANT

PLASTIC BAG	50398-8100	バラ状 LOOSE
REEL	50398-8000	連鎖状 CHAIN
PACKAGING SPEC.	オーダー番号 ORDER NO.	形態 FORM
CONNECTOR SERIES NO. 50398-8*00		

RELEASED EC NO: J2010-1818 DRWN: NYOSHIKAWA 2010/03/10 CHKD: KASAKAWA 2010/03/10 APPR: NUKITA 2010/03/11 REV: 0	DESCRIPTION GENERAL TOLERANCES (UNLESS SPECIFIED) 10 UNDER ±0.2 10 OVER 30 UNDER ±0.25 30 OVER ±0.3 ANGULAR ±3 ° DRAFT WHERE APPLICABLE MUST REMAIN WITHIN DIMENSIONS	DIMENSION STYLE MM ONLY	SCALE 10:1	DESIGN UNITS METRIC	THIRD ANGLE PROJECTION	
		DRAWN BY NYOSHIKAWA	DATE 2010/03/10	TITLE 2.5 WIRE TO WIRE CONN. CRIMP PIN		
		CHECKED BY KASAKAWA	DATE 2010/03/10	MOLEX INCORPORATED		
		APPROVED BY NUKITA	DATE 2010/03/10	MATERIAL NO. SEE TABLE	DOCUMENT NO. SD-50398-001	SHEET NO. 1 OF 1

THIS DRAWING CONTAINS INFORMATION THAT IS PROPRIETARY TO MOLEX INCORPORATED AND SHOULD NOT BE USED WITHOUT WRITTEN PERMISSION