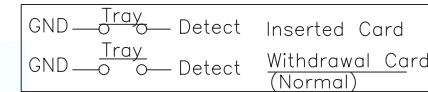


NOTE:

△ Material & Finish See Table;

2. Circuit Diagram For Switch



3. Characteristic:

- 3-1.Current Rating :1A max.
  - 3-2.Contact Resistance:50mOhms max
  - 3-3.Insulation Resistance:1000MOhms $\geq$  min./500VDC
  - 3-4.Dielectric Withstanding Voltage:500VAC/1minute
  - 3-5.Mating Force: 8N Max, Withdrawal Force: 1N Min.;
  - 3-6.Durability: 3000 Cycles
  - 3-7.Operating Temperature:-25°C to+85°C
4. Critical Dimensions Marked "▼" Should Check By QC.

6	Shell	Stainless Steel	Nickel Under Plated Overall.
5	Lever	Stainless Steel	/
4	Cam	Stainless Steel	/
3	Housing	Thermoplastics	Black,UL94V-0
2	Detect	Copper Alloy	Gold Flash on Solder Tails ; Gold Flash on Contact Area ;
1	Terminal	Copper Alloy	Nickel Under Plated Overall.
Item	Part Name	Material	Description

MANUFACTURE DWG

UNLESS OTHERWISE SPECIFIED TOLERANCES

DECIMALS: X.:±0.50 X.X:±0.30 X.XX:±0.20

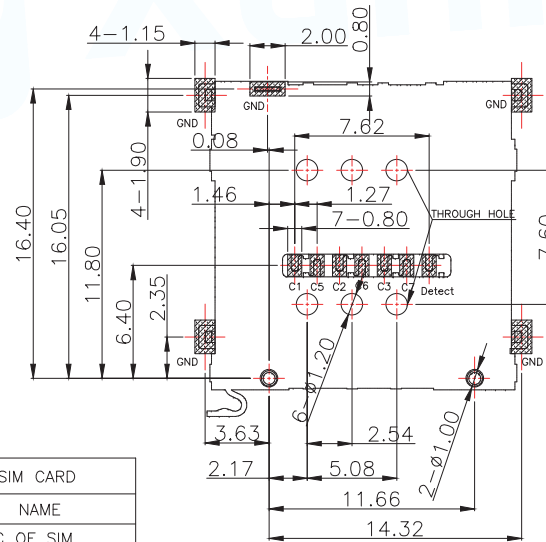
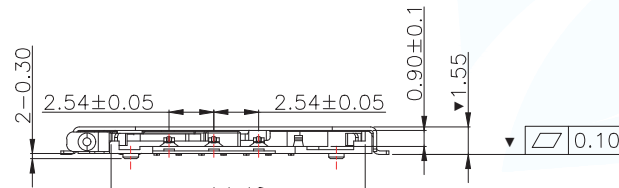
ANGLES: X.':±2' X.X':±1'

CUSTOMER COPY

东 莞 市 讯 普 电 子 科 技 有 限 公 司  
DongGuan XunPu Electronics Co.,Ltd

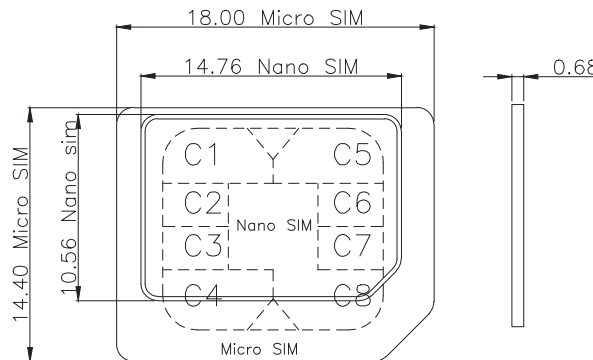
TITLE:Micro sim card 7pin 1.5H CONN.

PAR	SMC-217-ACP7
DWN	
CHKD	
APVD	
SCALE:1:1	UNIT:MM
SIZE:A4	SHEET:1F1
	REV:A

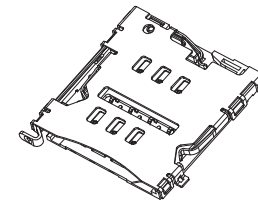
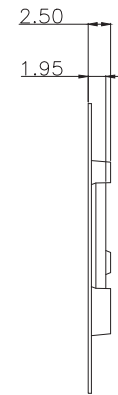
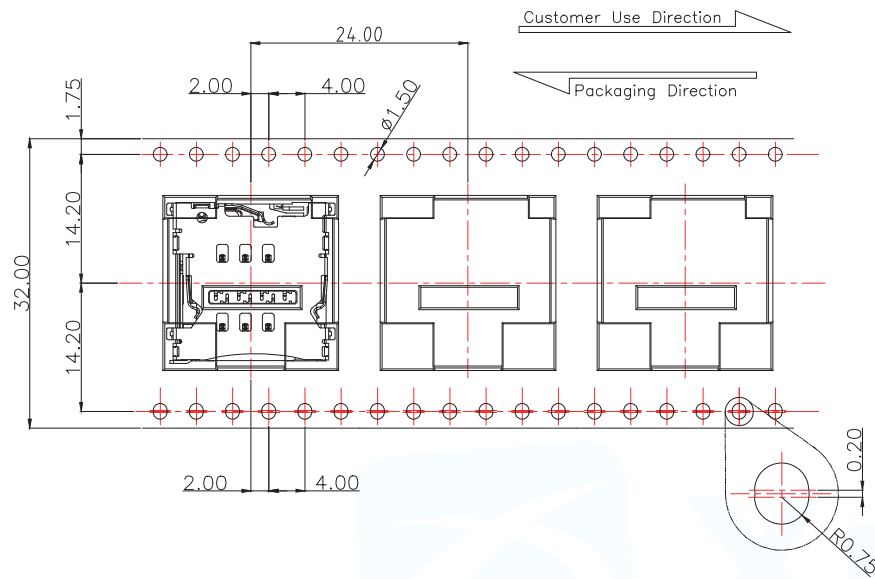


▨ PAD AREA  
■ KEEP OUT AREA

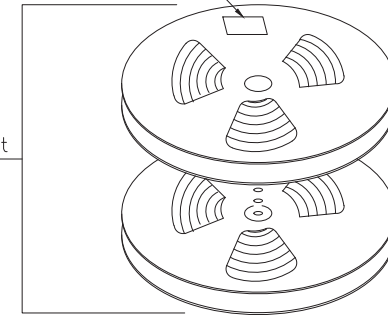
RECOMMENDED PCB LAYOUT  
GENERAL TOLERANCE ±0.05



MICRO SIM CARD	
Pin No.	NAME
C1	VCC OF SIM
C2	RST OF SIM
C3	CLK OF SIM
C5	GND OF SIM
C6	VPP OF SIM
C7	I/O OF SIM
Detect	DETECTION SWITCH

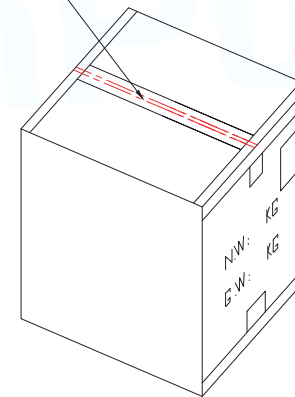


Reel Label

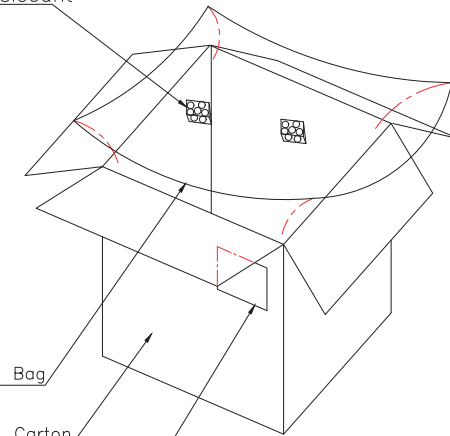


Reel with Product  
10 Reel

Sealing Tape



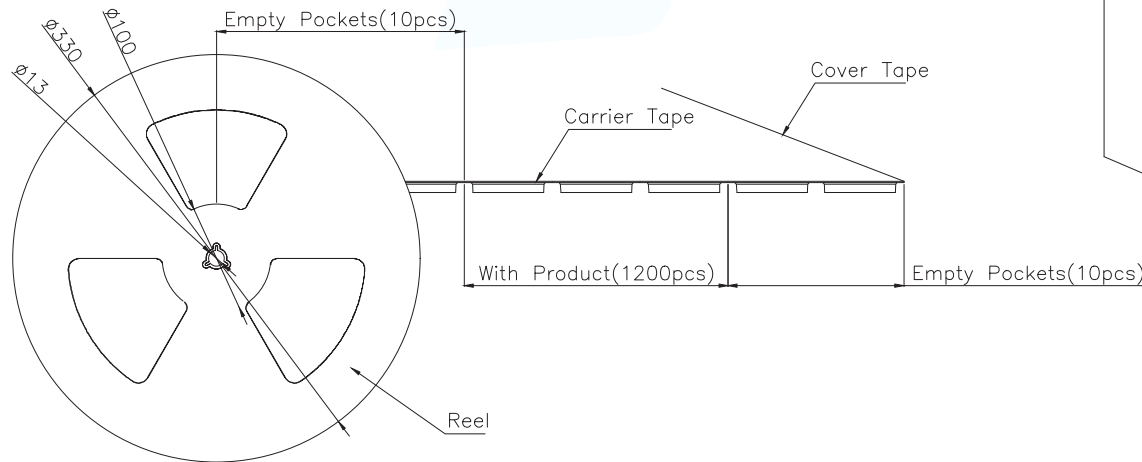
Desiccant



Waterproof Bag

Carton

Carton Label



NOTE:

1. Packing Quantity: 1200Pcs/Reel, 12Kpcs/Carton;
2. When Carton Fill Zero, Then Fill of Polyethlene Foam;

MANUFACTURE DWG		东莞市讯普电子科技有限公司 DongGuan XunPu Electronics Co.,Ltd		
UNLESS OTHERWISE SPECIFIED TOLERANCES			TITLE: Micro sim card 7pin 1.5H 包装图.	
DECIMALS:	ANGLES:		PAR	SMC-217-ACP7
X.: ±0.50	X'.: ±2'		DWN	
X.X: ±0.30	X.X': ±1'		CHKD	
X.XX: ±0.20		APVD		
CUSTOMER COPY		SCALE 1:1	UNIT: MM	
		SIZE: A4	SHEET: 1F1	
			REV: A	