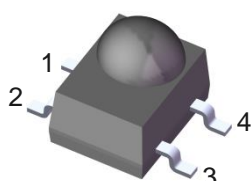


### Infrared Receiver Module IRM-H6XXJ7/TR2(CLW) Series



#### Pin Configuration

1. Gnd
2. Gnd
3. Out
4. Vcc

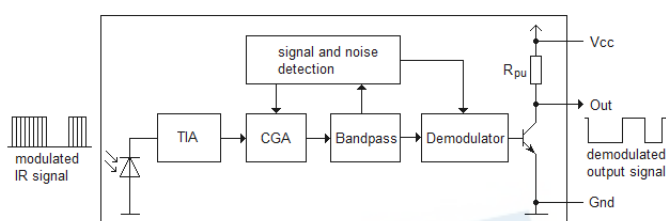


Fig.-1 Block Diagram

#### Features

- Circular lens for improved reception characteristics
- Available for various carrier frequencies
- Low operating voltage and low power consumption
- Good immunity against ambient light
- Long reception range
- Pb free and RoHS compliant
- Compliance with EU REACH
- Compliance Halogen Free (Br < 900ppm, Cl < 900ppm, Br+Cl < 1500ppm)

#### Description

The device is miniature SMD type infrared receiver that has been developed and designed by utilizing the latest IC technology.

The PIN diode and preamplifier are assembled onto a lead frame and molded into a black epoxy package which operates as an IR filter. The demodulated output signal can directly be decoded by a microprocessor

#### Applications

- Power meter
- AV equipment such as TV, VCR, DVD, CD, MD, etc.
- CATV set top boxes
- Other devices using IR remote control

## Part number table

Model No.	Carrier Frequency $f_c$
IRM-H638J7/TR2(CLW)	38 kHz

## Absolute Maximum Ratings ( $T_a=25^\circ\text{C}$ ) (note1)

Parameter	Symbol	Rating	Unit
Supply Voltage	$V_{CC}$	0~6	V
Output current	$I_{OUT}$	2.5	mA
Operating Temperature	$T_{opr}$	-20 ~ +80	$^\circ\text{C}$
Storage Temperature	$T_{stg}$	-40 ~ +85	$^\circ\text{C}$
Soldering Temperature (note2)	$T_{sol}$	260	$^\circ\text{C}$

## Electro-Optical Characteristics ( $T_a=25^\circ\text{C}$ , $V_{CC}=5\text{V}$ )

Parameter	Symbol	Min.	Typ.	Max.	Unit	Condition
Current consumption	$I_{CC}$	---	0.5	0.8	mA	No input signal
Supply voltage	$V_{CC}$	2.7	-	5.5	V	
Peak wavelength	$\lambda_p$	---	940	---	nm	
High level output voltage	$V_{OH}$	$V_{CC}-0.4$	---	---	V	Output open
Low level output voltage	$V_{OL}$	---	0.2	0.5	V	$I_{OUT} \leq 2\text{mA}$
Max Reception range	$L_{0max}$	8	---	---	m	See chapter test method, Output pulse width: 400us< $T_L$ <800us 400us< $T_H$ <800us
	$L_{45max}$	5	---	---		
Min reception distance	$L_{0min}$	---	---	0.1		
Half angle(horizontal)	$\varphi_h$	---	$\pm 40$	---	deg	
Half angle(vertical)	$\varphi_v$	---	$\pm 40$	---	deg	
Output low pulse	$T_L$	400	---	800	us	See chapter test method, $L_0 = 0.1\text{m} \sim 8\text{m}$
Output high pulse	$T_H$	400	---	800	us	

Note1: Absolute Maximum Ratings indicate limits beyond which damage to the device may occur.

Note2: Soldering time  $\leq 5$  seconds

## Test method

The specified electro-optical characteristics are valid under the following conditions.

1. Measurement environment must be a place without extreme reflections
2. Transmitter radiant intensity  $I_e = 80\text{mW/sr}$
3. External lighting contains LED lighting with a color temperature of 6000K and illumination at the IR receiver is less than 100lux ( $E_v \leq 100\text{Lux}$ )
4. Test signal as shown below in figure 2

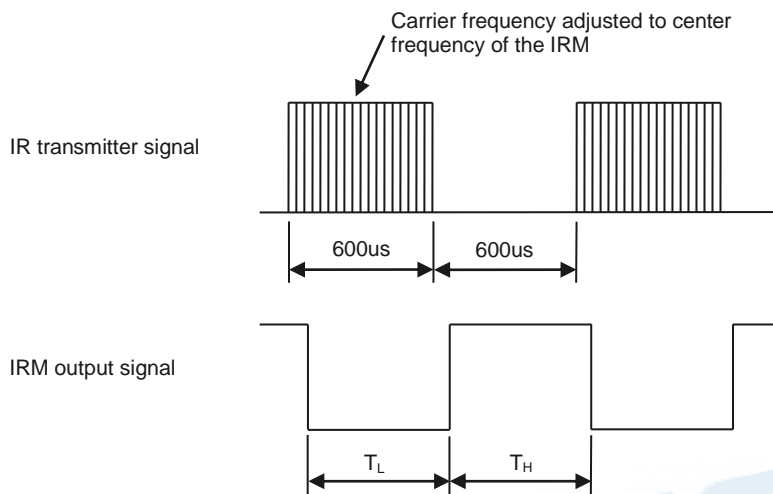


Fig.2 test signal and IRM output signal for reception distance and viewing angle test

## Application considerations

IRM IR receiver modules are high gain analog components to reach a long reception range. However, due to the high gain, they are also sensitive to noise from the power supply like  $V_{cc}$  ripple. Noise on the power supply can reduce the reception range of the IRM or cause output glitches and corrupted data. To protect the IRM receiver from power supply noise, a RC filter must be connected as close as possible to the  $V_{cc}$  and GND pins of the IRM. The circuit below in figure 9 shows the configuration of the RC filter and the required values. Ceramic or tantalum capacitor should be used, as standard electrolytic capacitors are only suitable for low frequencies and might not be able to filter noise in the frequency range of the IRM. The IRM receiver is most sensitive to noise which is at the carrier frequency or close to the carrier frequency. When using a switching mode power supply, the switching frequency must not be the same as the carrier frequency of the IRM. A gap of at least 20kHz between the switching frequency of the power supply and the IRM carrier frequency is recommended.

If the trace from the IRM output pin to the decoder IC on the PCB is long, the parasitic capacitance might be high causing slow rise times of the IRM output signal. In such case, an additional pull up resistor of 10kOhm or higher can be added at the IRM output to reduce the influence of parasitic trace capacitance.

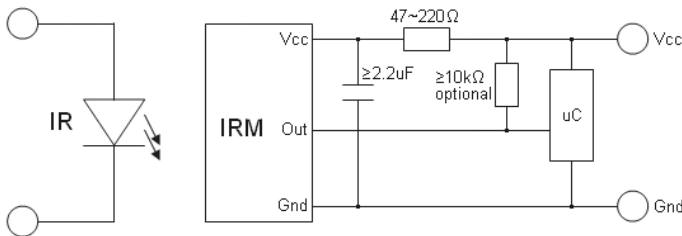


Fig.9: application circuit

## Code compatibility

The IRM-H6xxJ7 receiver modules are mainly designed for remote control applications which require very high noise immunity. Hence the IR code compatibility is matched for the most common IR protocols. To guarantee a proper data signal reception, a few points need to be taken into consideration.

The signal transmission must be carried out in data packages with limited length followed by a data pause time of a certain length. Continuous data transmission is not applicable as such kind of signal will be judged as noise and suppressed after a short time. Table1 below shows the compatibility to most commonly used IR protocols. If an IR protocol is not listed in this table, the compatibility needs to be checked according to the burst times, gap times, data package length and data pause time. The required limits for these items are shown in table 2 "acceptable IR signal timings".

Protocol	Suitable	Protocol	Suitable
NEC	Yes	Sony 12 Bit	Yes
Toshiba	Yes	Sony 15 Bit	Yes
RC5	Yes	Sony 20 Bit	Yes
RC6	Yes	XMP	No
RCA	Yes	RCMM	No

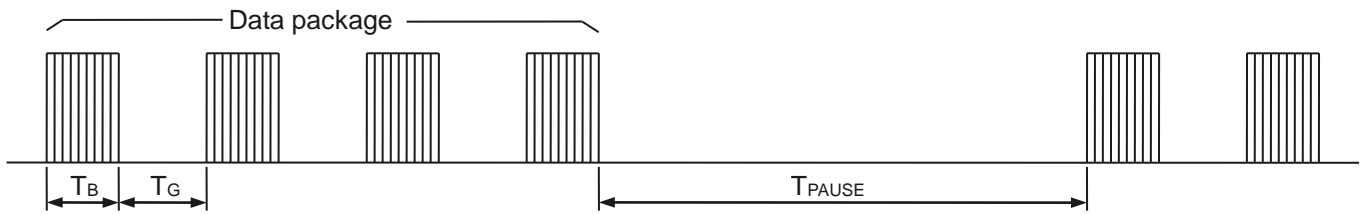


Fig.10: general IR data structure

	IRM-H638J7/TR2(CLW)
Min burst length $T_B$	350us
Min gap length $T_G$	400us
Min. data pause time $T_{PAUSE}$	pause time $\geq 1.0 \times t_{total\ Burst}^{3)}$

Note3: total burst time is sum of all bursts within one data package

## Operation under noisy environment

The IRM-H6XXJ7 receiver modules have noise suppression functions implemented, such as band pass filter, AGC amplifier and threshold control. But noise will cause decreased reception distance or in case of strong noise output glitches can occur and might corrupt the data signal. This needs to be considered by the decoder.

The presence of noise also can affect the output pulse jitter. In such case, the output pulse jitter shown in the electro-optical specification above, might not be valid anymore and bigger pulse jitter can occur. This behavior needs to be considered when tuning the timing limits of the decoder. It is recommended to use the output pulse variation shown in the electro-optical specifications above as a base to set the timing limits of the decoder. However, due to different protocols and environmental conditions, other timing limits might result in better performance and decoding security. This needs to be verified for the specific application by testing under different noise conditions.

Typical Electro-Optical Characteristics Curves

Fig.4 Relative Responsibility vs. Wavelength

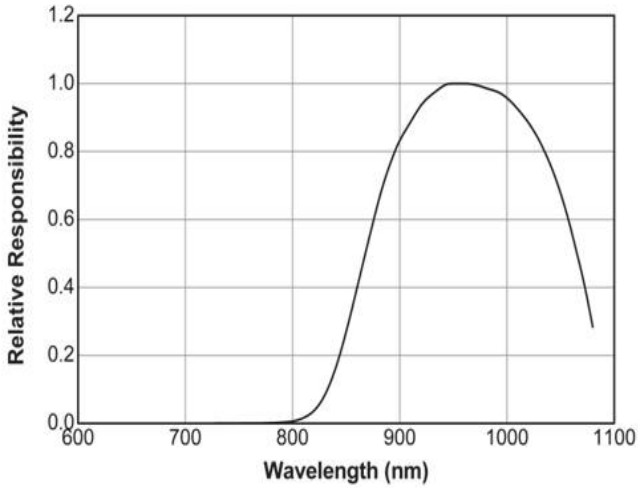


Fig.5 Relative Sensitivity vs. Angle

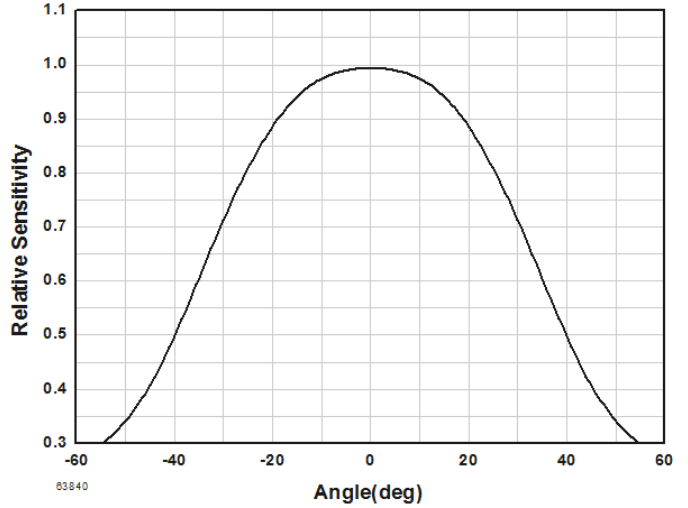


Fig.6 Variation Output Pulse Width vs. Distance

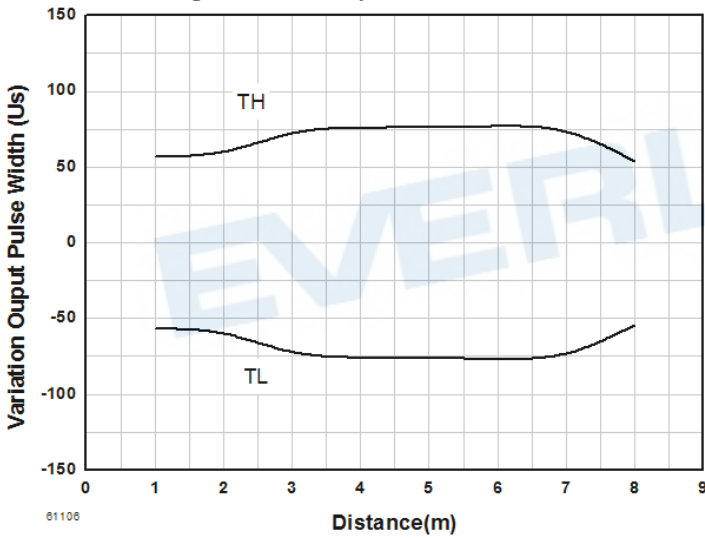


Fig.7 Relative Sensitivity vs. Supply Voltage

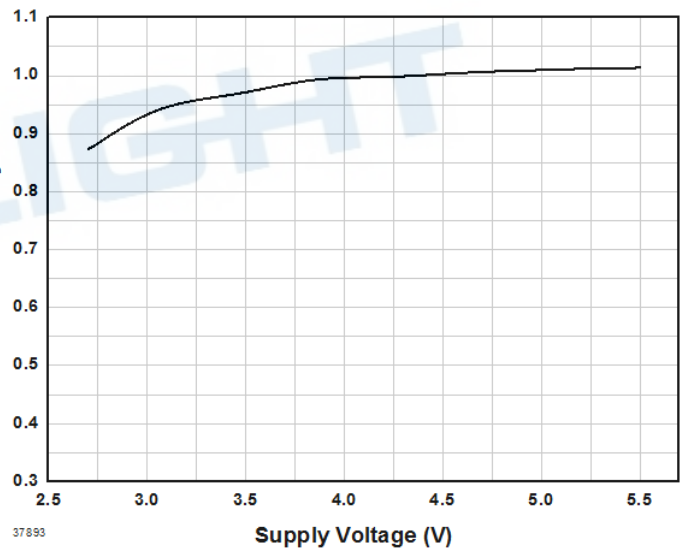
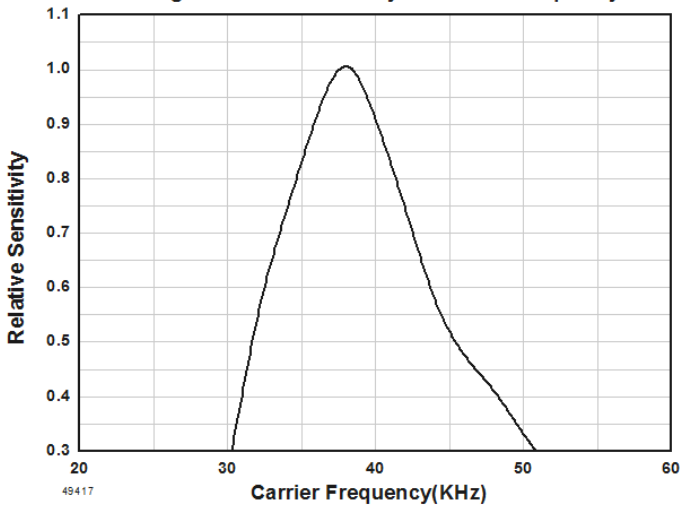
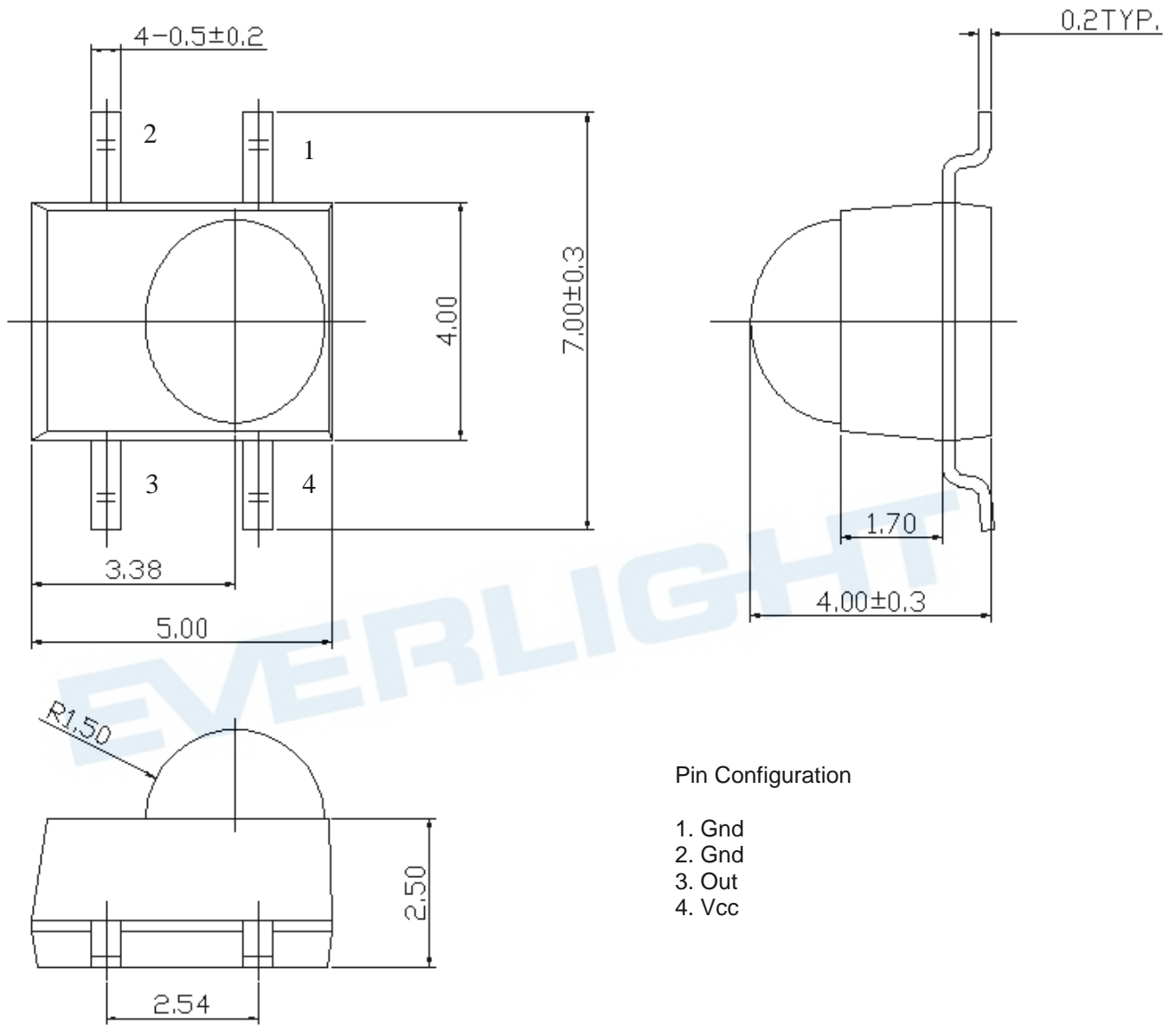


Fig.8 Relative Sensitivity vs. Carrier Frequency



### Package Dimension



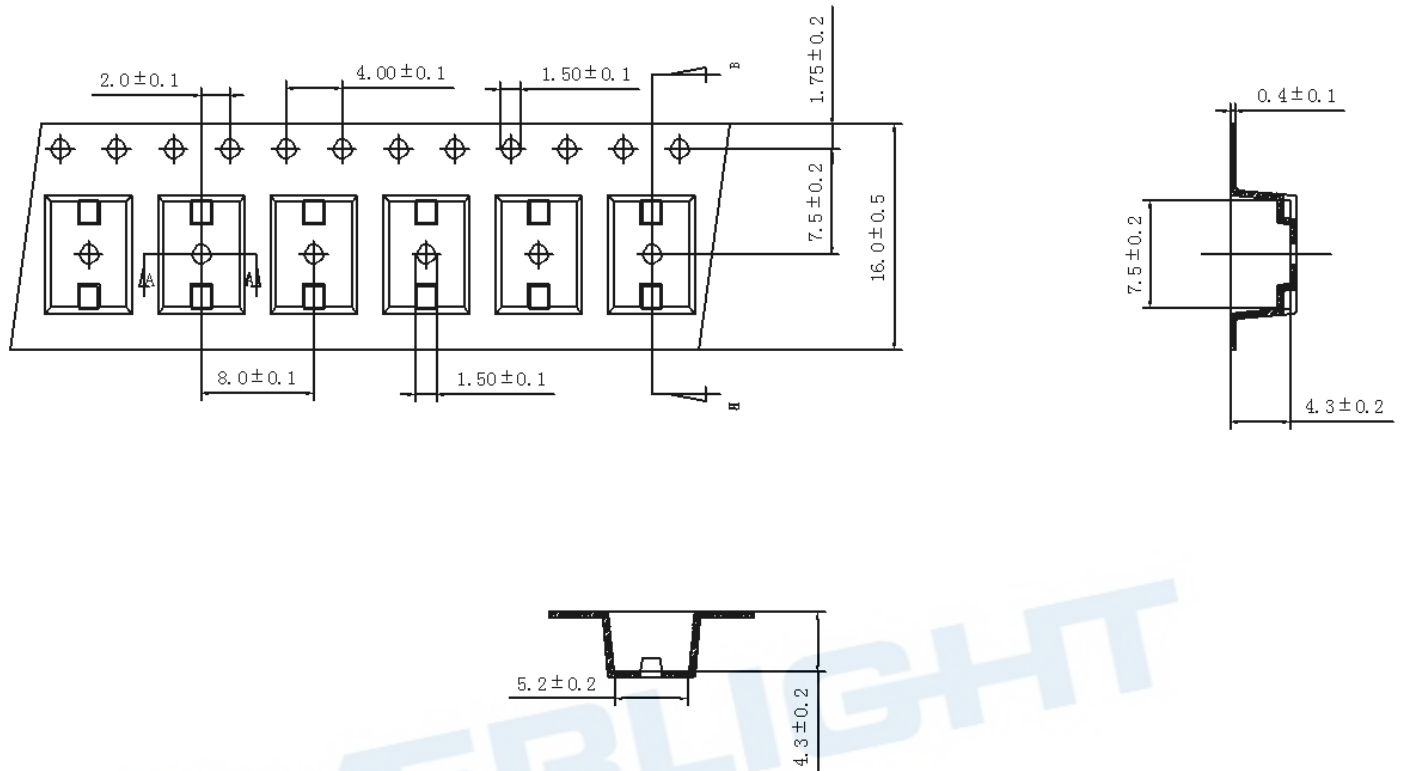
#### Pin Configuration

- 1. Gnd
- 2. Gnd
- 3. Out
- 4. Vcc

#### Notes:

- 1. All dimensions are in millimeters.
- 2. Tolerances unless mentioned  $\pm 0.5$ mm.

## Tape & Reel Packing Specifications



### Notes:

1. All dimensions are in millimeters.

## Packing Quantity

1000 pcs / Reel  
5 Reels / Carton

## Recommended method of storage

The following are general recommendations for moisture sensitive level (MSL) 4 storage and use:

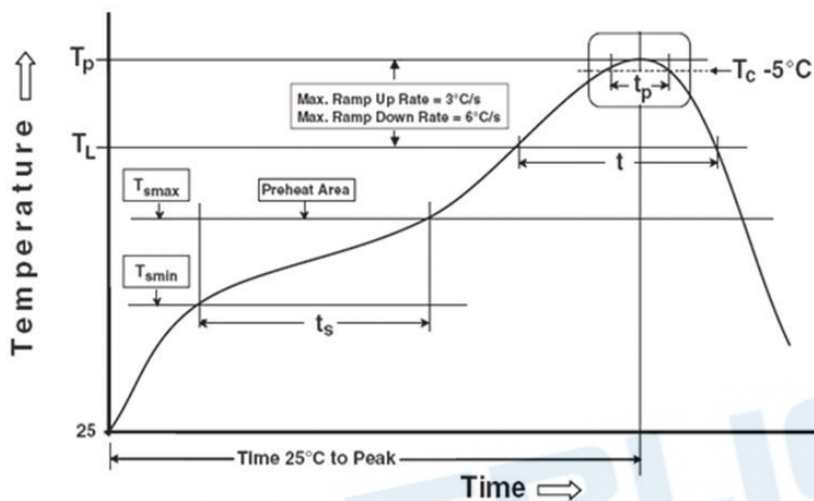
1. Do not open moisture proof bag before devices are ready to use.
2. Shelf life in sealed bag from the bag seal date: 12 months at 10°C~30°C and < 90% RH.
3. After opening the package, the devices must be stored at 10°C~30°C and ≤ 60%RH, and used within 72 hours (floor life).
4. If the moisture absorbent material (desiccant material) has faded or unopened bag has exceeded the shelf life or devices (out of bag) have exceeded the floor life, baking treatment is required.
5. If baking is required, refer to IPC/JEDEC J-STD-033 for bake procedure or recommend the following conditions: 96 hours at 60°C ± 5°C and < 5 % RH.



## ESD Precaution

Proper storage and handing procedures should be followed to prevent ESD damage to the devices especially when they are removed from the Anti-static bag. Electro-Static Sensitive Devices warning labels are on the packing.

## Solder Reflow Temperature Profile



Note:

Reference: IPC/JEDEC J-STD-020D

### Preheat

Temperature min (T <sub>smin</sub> )	150 °C
Temperature max (T <sub>smax</sub> )	200°C
Time (T <sub>smin</sub> to T <sub>smax</sub> ) (t <sub>s</sub> )	60-120 seconds
Average ramp-up rate (T <sub>smax</sub> to T <sub>p</sub> )	3 °C/second max

### Other

Liquidus Temperature (T <sub>L</sub> )	217 °C
Time above Liquidus Temperature (t <sub>L</sub> )	60-100 sec
Peak Temperature (T <sub>P</sub> )	260°C
Time within 5 °C of Actual Peak Temperature: T <sub>P</sub> - 5°C	30 s
Ramp- Down Rate from Peak Temperature	6°C /second max.
Time 25°C to peak temperature	8 minutes max.
Reflow times	2 times

Note:

1. Reflow soldering should not be done more than two times.
2. When soldering, do not put stress on the IRM device during heating.
3. After soldering, do not warp the circuit board.

## Disclaimer

1. EVERLIGHT reserves the right(s) on the adjustment of product material mix for the specification.
2. The product meets EVERLIGHT published specification for a period of twelve (12) months from date of shipment.
3. The graphs shown in this datasheet are representing typical data only and do not show guaranteed values.
4. When using this product, please observe the absolute maximum ratings and the instructions for using outlined in these specification sheets. EVERLIGHT assumes no responsibility for any damage resulting from the use of the product which does not comply with the absolute maximum ratings and the instructions included in these specification sheets.
5. These specification sheets include materials protected under copyright of EVERLIGHT. Reproduction in any form is prohibited without obtaining EVERLIGHT's prior consent.
6. This product is not intended to be used for military, aircraft, automotive, medical, life sustaining or life saving applications or any other application which can result in human injury or death. Please contact authorized Everlight sales agent for special application request.

EVERLIGHT