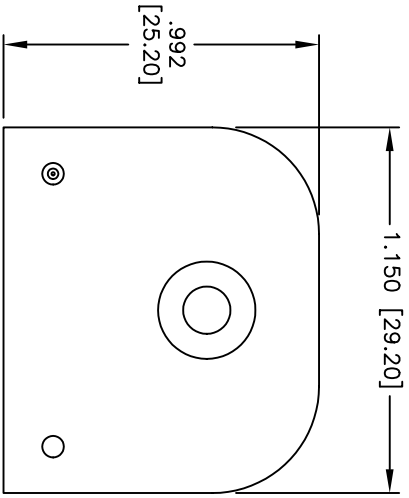
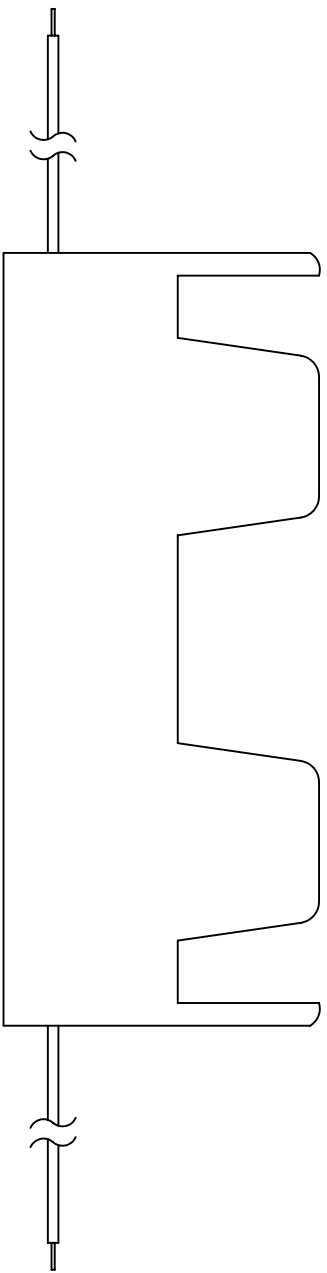
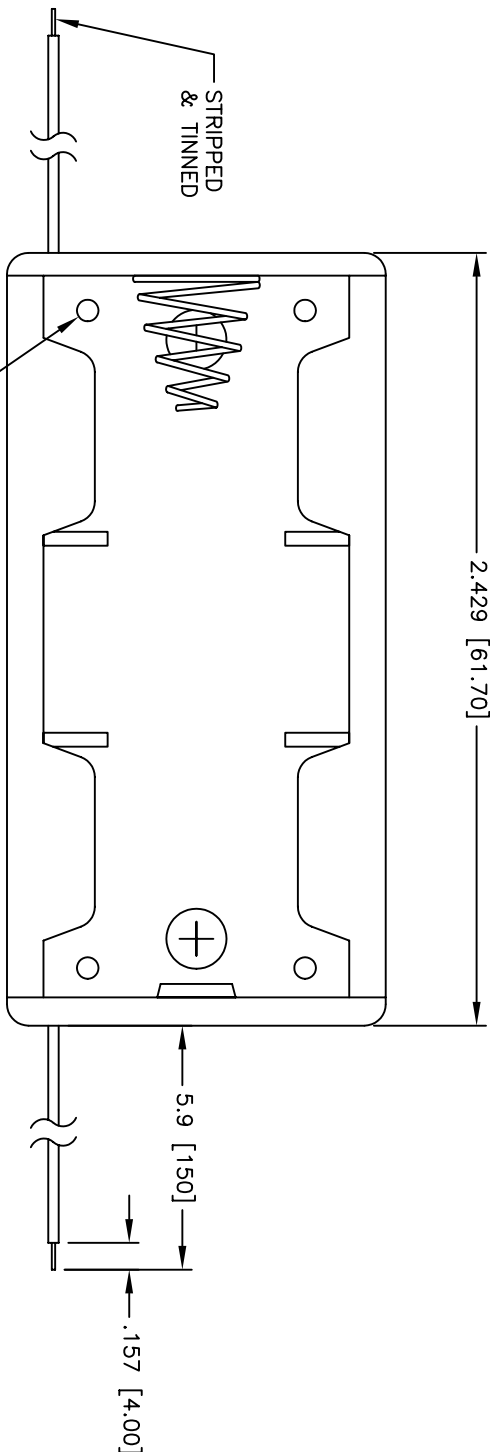


Rev	AWO #	Description	Date	Appr
-		RELEASED	1/20/05	

APPROVED: _____
 DATE: _____ TITLE: _____



SPECIFICATIONS:

Material: Insulator: Impact resistant Polypropylene, rated UL94-HB
 Insulator color: Black
 Spring: Steel, Nickel plated
 Contacts: Steel, Nickel plated
 Wire: 26 AWG, PVC
 Electrical:
 Operating voltage: 1.5 VDC max.
 Operating temperature: -10°C to +80°C
 Environmental:
 Lead free, RoHS compliant



UNLESS OTHERWISE SPECIFIED ALL DIMENSIONS ARE INCHES [MM]	
TOLERANCES: EXCEPT AS NOTED	
INCHES	HOLES
.X ± .10	ϕ X ± .10
.XX ± .020	ϕ XXX ± .015
.XXX ± .015	ϕ XXX ± .010
APPROVALS	DATE
DRAWN	SS
CHECKED	1/20/05
APPROVED	

ADAM TECH
 909 Rahway Avenue, Union, NJ 07083
 Phone: 908-687-5000 Fax: 908-687-5710

TITLE: BATTERY HOLDER, WIRE LEADS
 FOR ONE "C" CELL

SIZE: X PART NO.: BH-124
 REF: SCALE: NTS SHEET 1 OF 1

