

PLEASE CHECK WWW.MOLEX.COM FOR LATEST PART INFORMATION

Part Number: [0473622012](#)

Status: **Active**

Overview: [serial ata 127 host receptacles](#)

Description: 1.27mm (.050") Pitch Combo SATA Cable Connector, Right Angle Type, with Arris on top surface, with bumps, 0.38µm (15µ") Gold (Au), 22 Circuits, Lead Free

Documents:

[3D Model](#)

[Drawing \(PDF\)](#)

[Product Specification PS-47362-001 \(PDF\)](#)

[RoHS Certificate of Compliance \(PDF\)](#)

General

Product Family	I/O Connectors
Series	47362
Application	Wire-to-Board
Comments	Right Angle Type
Component Type	Receptacle
Overview	serial ata 127 host receptacles
Product Name	Serial ATA
Type	N/A

Physical

Boot Color	N/A
Circuits (Loaded)	22
Circuits (maximum)	22
Circuits Detail	Signal 7, Power 15
Color - Resin	Black
Durability (mating cycles max)	50
Gender	Receptacle
Keying to Mating Part	Yes
Lock to Mating Part	Yes
Material - Metal	Copper Alloy
Material - Plating Mating	Gold
Material - Plating Termination	Tin
Number of Rows	1
Orientation	Right Angle
PCB Locator	No
PCB Retention	None
PCB Thickness Recommended (in)	0.039 In
PCB Thickness Recommended (mm)	1.00 mm
Packaging Type	Tray
Panel Mount	Yes
Pitch - Mating Interface (in)	0.050 In
Pitch - Mating Interface (mm)	1.27 mm
Pitch - Term. Interface (in)	0.050 In
Pitch - Term. Interface (mm)	1.27 mm
Plating min: Mating (µin)	15
Plating min: Mating (µm)	0.38
Plating min: Termination (µin)	50
Plating min: Termination (µm)	1.27
Polarized to Mating Part	Yes
Polarized to PCB	Yes
Ports	2
Temperature Range - Operating	-35°C to +85°C
Termination Interface: Style	Through Hole
Waterproof / Dustproof	No
Wire Size AWG	N/A



image - Reference only

Series

EU RoHS

**ELV and RoHS
Compliant**
**REACH SVHC
Not Reviewed**
**Halogen-Free
Status**

China RoHS



**Need more information on product
environmental compliance?**

Email productcompliance@molex.com
For a multiple part number RoHS Certificate of
Compliance, [click here](#)

Please visit the [Contact Us](#) section for any
non-product compliance questions.

Search Parts in this Series

[47362Series](#)

Electrical

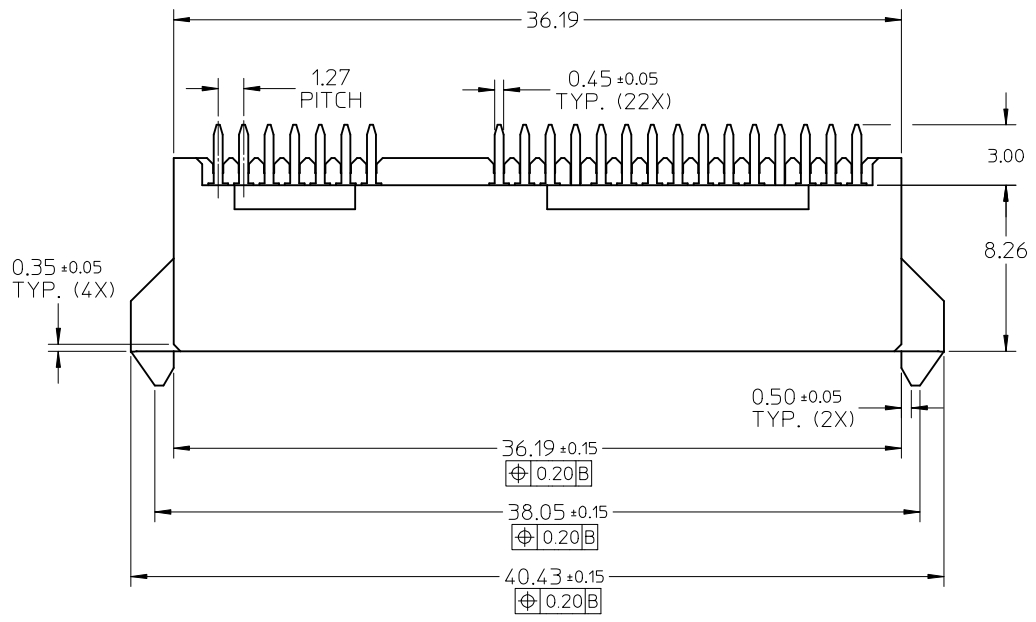
Current - Maximum per Contact	1.5A
Voltage - Maximum	15V DC

Material Info**Reference - Drawing Numbers**

Packaging Specification	PK-47362-001
Product Specification	PS-47362-001
Sales Drawing	SD-47362-100

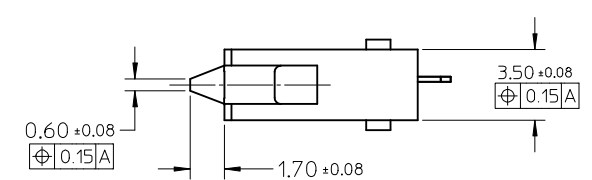
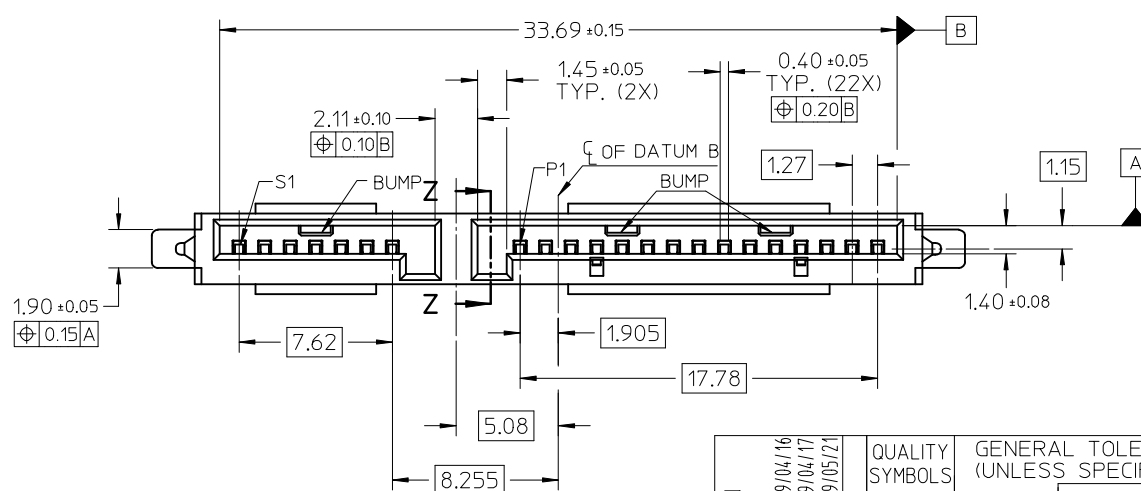
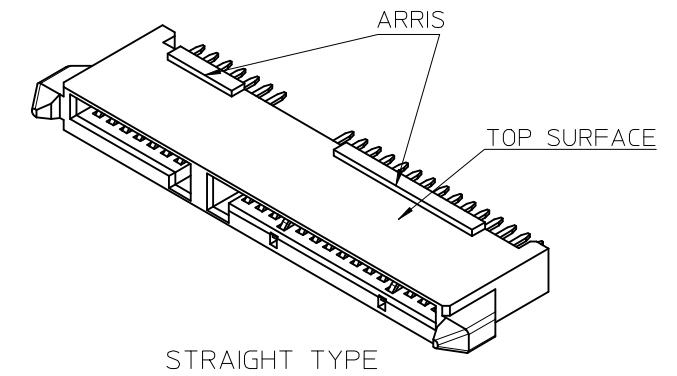
This document was generated on 05/19/2010

PLEASE CHECK WWW.MOLEX.COM FOR LATEST PART INFORMATION



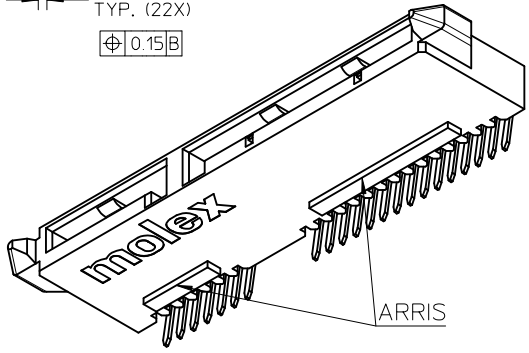
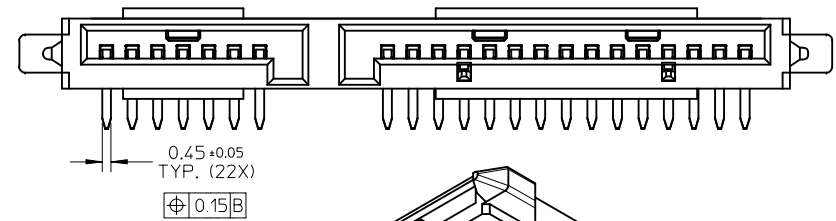
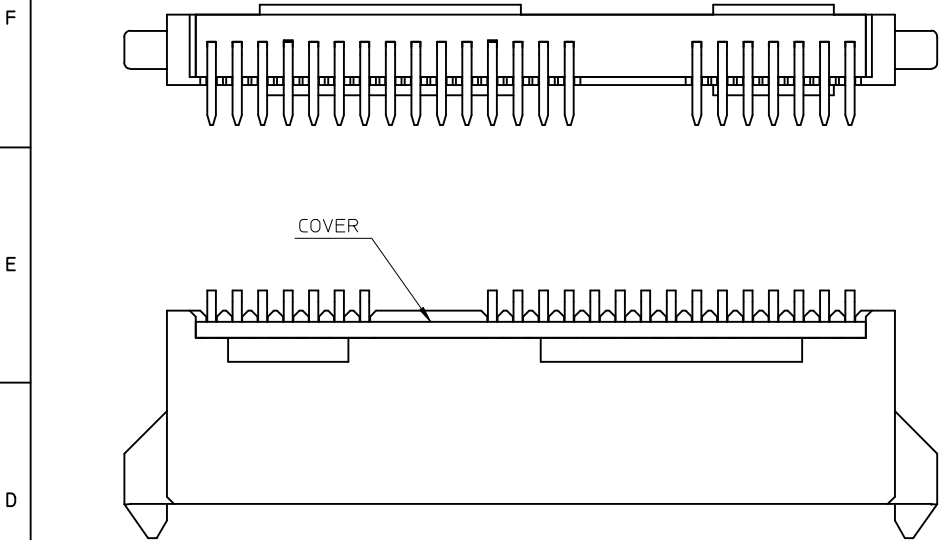
NOTES:

1. MATERIAL:
HOUSING: THERMAL PLASTIC, GLASS FILLED, UL94V-0, COLOR: BLACK.
TERMINAL: COPPER ALLOY, THICKNESS=0.25MM.
2. TERMINAL PLATING:
CONTACT AREA: GOLD PLATED, SEE TABLE.
SOLDER AREA: PURE TIN, THICKNESS=1.27 MICRONS MINIMUM.
UNDER PLATE: NICKLE, THICKNESS=1.27 MICRONS MINIMUM.
3. PRODUCT SPECIFICATION: REFER TO PS-47362-001.
4. PACKAGING METHOD: REFER TO PK-47362-001.
5. PRODUCT COMPLIANT TO RoHS DIRECTIVE 2002/95/EC AND ELV DIRECTIVE 2000/53/EC

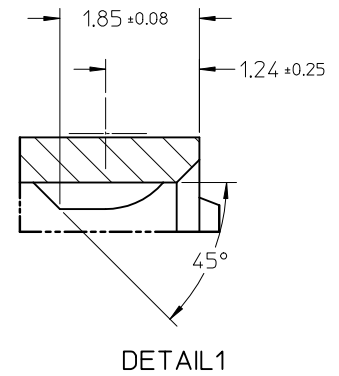
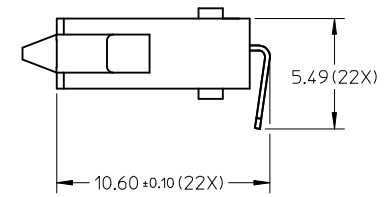
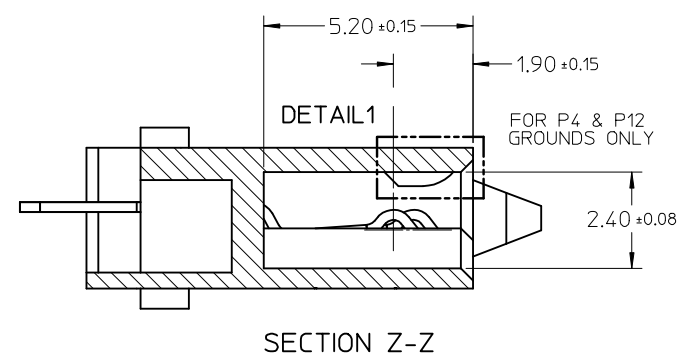


ADD NEW OPTION EC NO: SH2009-0500 DRWN: XJ SONG 2009/04/16 CHKD: XJ SONG 2009/04/17 APPR: H WANG 2009/05/21	DESCRIPTION REV	QUALITY SYMBOLS	GENERAL TOLERANCES (UNLESS SPECIFIED)	DIMENSION STYLE	SCALE	DESIGN UNITS	THIRD ANGLE PROJECTION	
		▼ = 0 ▽ = 0	mm INCH 4 PLACES ± --- ± --- 3 PLACES ± --- ± --- 2 PLACES ± 0.2 ± --- 1 PLACE ± 0.25 ± --- ANGULAR ± 3 °	MM ONLY	4:1	METRIC		
			DRAFT WHERE APPLICABLE MUST REMAIN WITHIN DIMENSIONS	DRAWN BY: BCHEN26 DATE: 2005/12/05 CHECKED BY: DATE: 2005/12/05 APPROVED BY: GRATE DATE: 2005/12/05	TITLE	COMBO SATA RECEPTACLE CABLE END		
				MATERIAL NO. DOCUMENT NO. SHEET NO.	MOLEX INCORPORATED		1 OF 4	

10 9 8 7 6 5 4 3 2 1



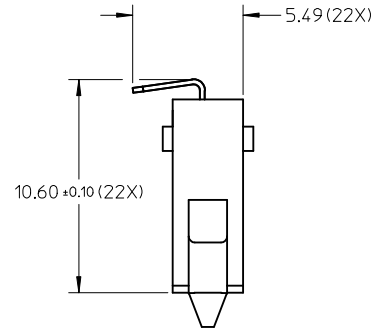
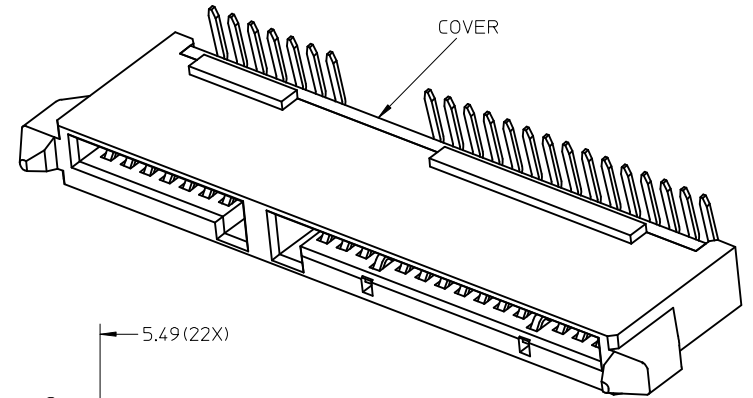
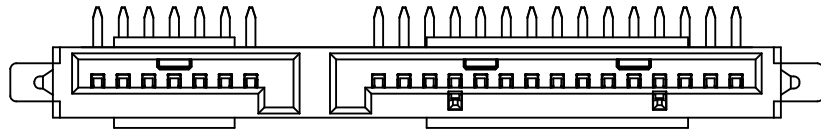
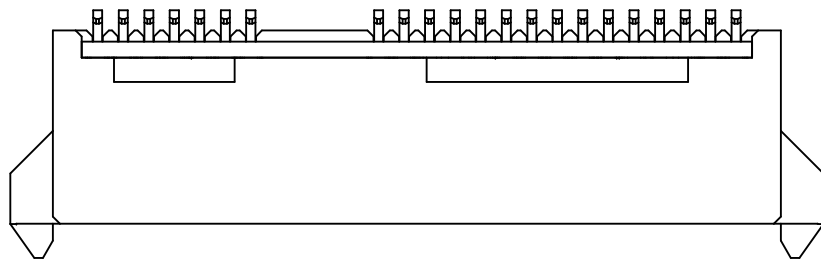
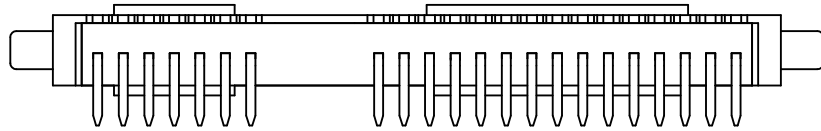
RIGHT ANGLE(90 DEGREE) TYPE
OTHER DIMENSIONS REFER TO STRAIGHT TYPE



SEE SHEET 1 IEC NO: SH2009-0500 DRWN: XJ.SONG 2009/04/16 CHKD: XJ.SONG 2009/04/17 APPR: H.WANG 2009/05/21	QUALITY SYMBOLS ▽=0 ◻=0	GENERAL TOLERANCES (UNLESS SPECIFIED)		DIMENSION STYLE MM ONLY		SCALE 4:1	DESIGN UNITS METRIC	THIRD ANGLE PROJECTION						
		4 PLACES ± --- ± ---	3 PLACES ± --- ± ---	2 PLACES ± 0.2 ± ---	1 PLACE ± 0.25 ± ---	ANGULAR ± 3 °	DRAFT WHERE APPLICABLE MUST REMAIN WITHIN DIMENSIONS	DRAWN BY B.CHEN26	DATE 2005/12/05	CHECKED BY DIXON	DATE 2005/12/05	APPROVED BY GRATE	DATE 2005/12/05	TITLE COMBO SATA RECEPTACLE CABLE END
		SEE SHEET 4		MOLEX INCORPORATED		SD-47362-100		SHEET NO. 2 OF 4						
		THIS DRAWING CONTAINS INFORMATION THAT IS PROPRIETARY TO MOLEX INCORPORATED AND SHOULD NOT BE USED WITHOUT WRITTEN PERMISSION												

9 8 7 6 5 4 3 2 1

10 9 8 7 6 5 4 3 2 1



RIGHT ANGLE(270 DEGREE) TYPE
OTHER DIMENSIONS REFER TO RIGHT ANGLE(90 DEGREE) TYPE

SEE SHEET 1 EC NO: SH2009-0500 DRWN: XJ SONG 2009/04/16 CHKD: XJ SONG 2009/04/17 APPR: H WANG 2009/05/21	QUALITY SYMBOLS ▽ = 0 ▽ = 0	GENERAL TOLERANCES (UNLESS SPECIFIED)		DIMENSION STYLE MM ONLY		SCALE 4:1	DESIGN UNITS METRIC	THIRD ANGLE PROJECTION	
			mm	INCH	DRAWN BY BCHEN26	DATE 2005/12/05	TITLE COMBO SATA RECEPTACLE CABLE END		
		4 PLACES	± ---	± ---	CHECKED BY DIXON	DATE 2005/12/05	MOLEX INCORPORATED		
		3 PLACES	± ---	± ---	APPROVED BY GRATE	DATE 2005/12/05			
2 PLACES	± 0.2	± ---	ANGULAR ± 3 °		MATERIAL NO.	DOCUMENT NO.	SHEET NO.		
1 PLACE	± 0.25	± ---	DRAFT WHERE APPLICABLE MUST REMAIN WITHIN DIMENSIONS		SEE SHEET 4	SD-47362-100	3 OF 4		
				SIZE A3		THIS DRAWING CONTAINS INFORMATION THAT IS PROPRIETARY TO MOLEX INCORPORATED AND SHOULD NOT BE USED WITHOUT WRITTEN PERMISSION			

9 8 7 6 5 4 3 2 1

10	9	8	7	6	5	4	3	2	1
P/N	PLATE TYPE	REMARK	STRAIGHT OR R/A	P/N	PLATE TYPE	REMARK	STRAIGHT OR R/A		
47362-1000	GOLD FLASH			47362-3000	GOLD FLASH				
47362-1001	GOLD PLATED 0.76 MICRONS MIN.	WITH ARRIS ON BOTH SURFACE	STRAIGHT TYPE	47362-3001	GOLD PLATED 0.76 MICRONS MIN.	WITH ARRIS ON BOTH SURFACE	RIGHT ANGLE TYPE (270 DEGREE)		
47362-1002	GOLD PLATED 0.38 MICRONS MIN.	WITH BUMPS		47362-3002	GOLD PLATED 0.38 MICRONS MIN.	WITH BUMPS,WITH COVER			
47362-1010	GOLD FLASH			47362-3010	GOLD FLASH				
47362-1011	GOLD PLATED 0.76 MICRONS MIN.	WITH ARRIS ON TOP SURFACE		47362-3011	GOLD PLATED 0.76 MICRONS MIN.	WITH ARRIS ON TOP SURFACE			
47362-1012	GOLD PLATED 0.38 MICRONS MIN.	WITH BUMPS		47362-3012	GOLD PLATED 0.38 MICRONS MIN.	WITH BUMPS,WITH COVER			
47362-1020	GOLD FLASH			47362-3020	GOLD FLASH				
47362-1021	GOLD PLATED 0.76 MICRONS MIN.	WITH ARRIS ON BOTTOM SURFACE		47362-3021	GOLD PLATED 0.76 MICRONS MIN.	WITH ARRIS ON BOTTOM SURFACE			
47362-1022	GOLD PLATED 0.38 MICRONS MIN.	WITH BUMPS		47362-3022	GOLD PLATED 0.38 MICRONS MIN.	WITH BUMPS,WITH COVER			
47362-1030	GOLD FLASH			47362-3030	GOLD FLASH				
47362-1031	GOLD PLATED 0.76 MICRONS MIN.	WITHOUT ARRIS		47362-3031	GOLD PLATED 0.76 MICRONS MIN.	WITHOUT ARRIS			
47362-1032	GOLD PLATED 0.38 MICRONS MIN.	WITH BUMPS	47362-3032	GOLD PLATED 0.38 MICRONS MIN.	WITH BUMPS,WITH COVER				
47362-2000	GOLD FLASH		RIGHT ANGLE TYPE (90 DEGREE)						
47362-2001	GOLD PLATED 0.76 MICRONS MIN.	WITH ARRIS ON BOTH SURFACE							
47362-2002	GOLD PLATED 0.38 MICRONS MIN.	WITH BUMPS,WITH COVER							
47362-2010	GOLD FLASH								
47362-2011	GOLD PLATED 0.76 MICRONS MIN.	WITH ARRIS ON TOP SURFACE							
47362-2012	GOLD PLATED 0.38 MICRONS MIN.	WITH BUMPS,WITH COVER							
47362-2020	GOLD FLASH								
47362-2021	GOLD PLATED 0.76 MICRONS MIN.	WITH ARRIS ON BOTTOM SURFACE							
47362-2022	GOLD PLATED 0.38 MICRONS MIN.	WITH BUMPS,WITH COVER							
47362-2030	GOLD FLASH								
47362-2031	GOLD PLATED 0.76 MICRONS MIN.	WITHOUT ARRIS							
47362-2032	GOLD PLATED 0.38 MICRONS MIN.	WITH BUMPS,WITH COVER							
47362-1003	GOLD PLATED 0.38 MICRONS MIN.	WITH ARRIS ON BOTH SURFACE WITHOUT BUMPS	STRAIGHT TYPE						
47362-1082	GOLD PLATED 0.38 MICRONS MIN.	WITH ARRIS ON BOTH SURFACE WITH BUMPS	STRAIGHT TYPE						

--	--	--	--	--	--	--	--	--	--

SEE SHEET1 EC NO: SH2009-0500 DRWN: X JSONG CHKD: X JSONG APPR: H WANG	2009/04/16 2009/04/17 2009/05/21	DESCRIPTION REV	QUALITY SYMBOLS	GENERAL TOLERANCES (UNLESS SPECIFIED)	DIMENSION STYLE	SCALE	DESIGN UNITS	THIRD ANGLE PROJECTION		
			$\nabla=0$ $\sphericalangle=0$	mm INCH 4 PLACES ± --- ± --- 3 PLACES ± --- ± --- 2 PLACES ± 0.2 ± --- 1 PLACE ± 0.25 ± --- ANGULAR ± 3°	MM ONLY	4:1	METRIC	DRAWN BY: B CHEN26 DATE: 2005/12/05 CHECKED BY: DATE: 2005/12/05 APPROVED BY: DATE: 2005/12/05 GRATE	TITLE: COMBO SATA RECEPTACLE CABLE END MOLEX INCORPORATED	
				DRAFT WHERE APPLICABLE MUST REMAIN WITHIN DIMENSIONS	SEE TABLE	MATERIAL NO. DOCUMENT NO. SD-47362-100 SHEET NO. 4 OF 4				
					SIZE: A3 THIS DRAWING CONTAINS INFORMATION THAT IS PROPRIETARY TO MOLEX INCORPORATED AND SHOULD NOT BE USED WITHOUT WRITTEN PERMISSION					