

HEAVY DUTY TOGGLES



Fig. 1



Fig. 2



Fig. 3



Fig. 4



Fig. 5



Fig. 6



Fig. 7



Fig. 8



Fig. 9



Fig. 10



Fig. 11

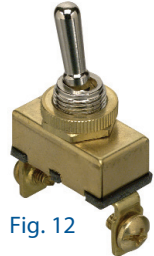


Fig. 12

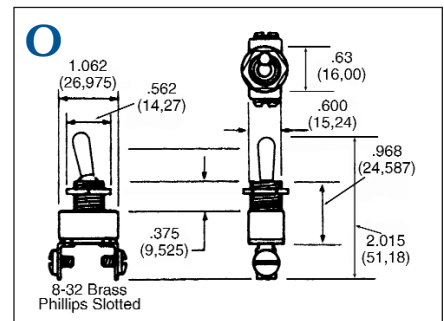
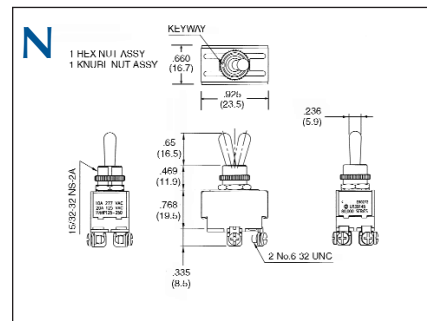
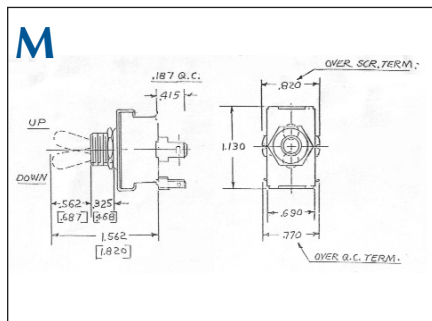
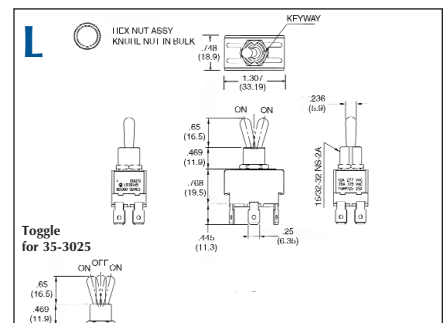
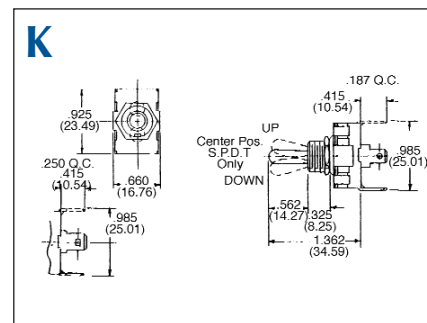
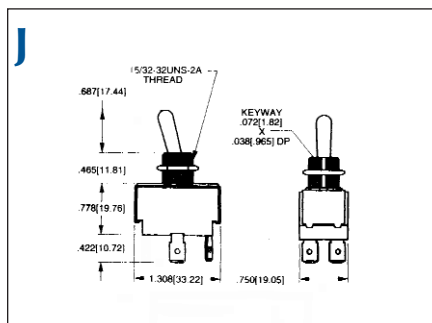
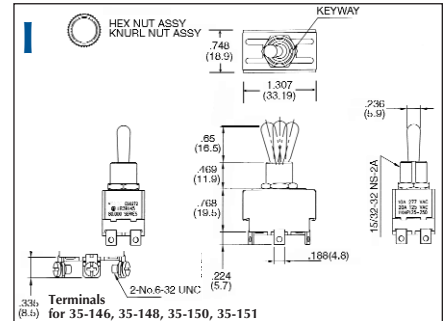
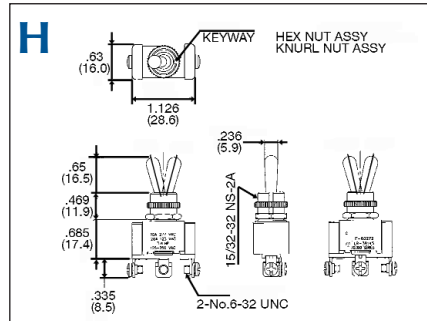
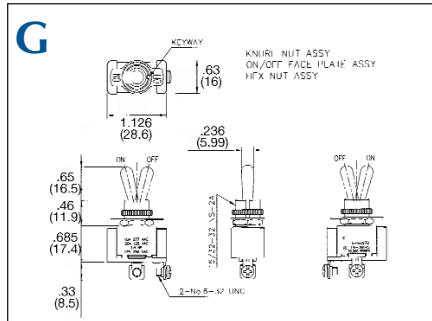
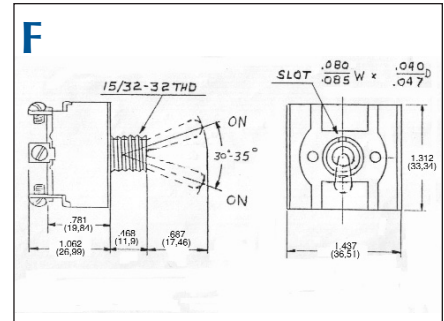
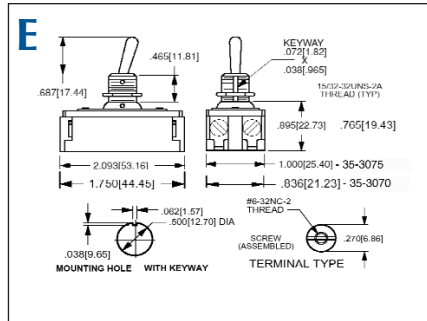
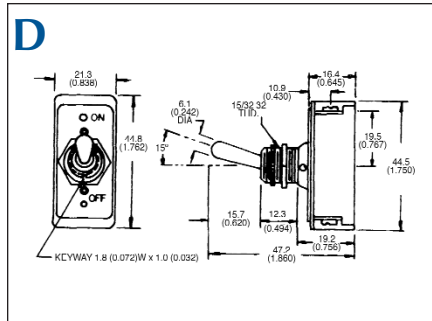
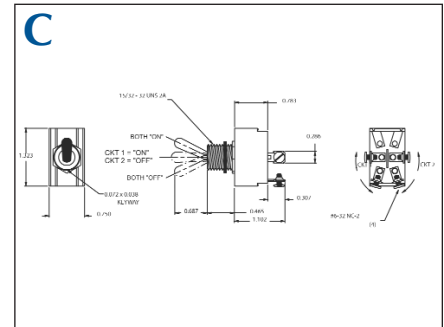
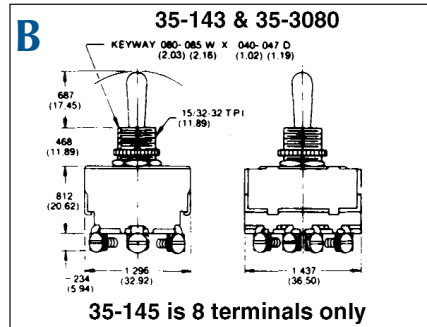
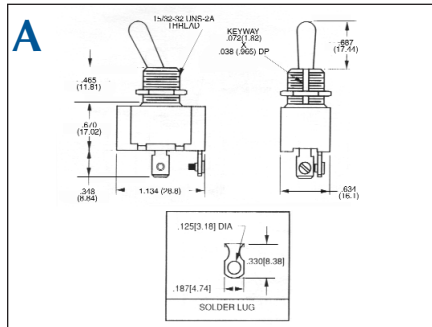
Retail Part No.	Bulk Part No.	Fig. No.	Circuit Function	Poles/Throws	AMPS 125VAC	AMPS 250VAC	HP 125-250VAC	Actuator Style	Actuator Material	Bushing Length	Mounting Hole	Terminal Type	Hardware	Spec. Drawing Page No.
35-078	35-078-BU	1	On Off	SPST	15	10	3/4	Bat	Metal	0.465	0.500	Solder	N, KN	277-A
35-143	35-143-BU	2	On Off On	4PDT	15	10	3/4	Bat	Metal	0.465	0.500	Screw	N, FN, Sc	277-B
35-145	35-145-BU	2	On Off	4PST	15	10	3/4	Bat	Metal	0.465	0.500	Screw	N, FN, Sc	277-B
35-3080	35-3080-BU	2	On On	4PDT	15	10	3/4	Bat	Metal	0.465	0.500	Screw	N, FN, Sc	277-B
35-3135	35-3135-BU	3	** 1On Off †	†	15	10	1/2	Bat	Brass	0.468	0.500	Screw	N, FN, Sc	277-C
35-126	35-126-BU	4	On Off	DPST	16	8	1	Bat	Metal	0.465	0.500	Screw	N, FN	277-D
35-3070	35-3070-BU	4	On Off	SPST	16	8	1	Bat	Metal	0.465	0.500	Screw	N, Sc	277-E
35-139	35-139-BU	5	On Off	3PST	17	12	1-1/2	Bat	Metal	0.465	0.500	Screw	N, FN, Sc	277-F
35-140	35-140-BU	5	On Off On	3PDT	17	12	1-1/2	Bat	Metal	0.465	0.500	Screw	N, FN, Sc	277-F
35-141	35-141-BU	5	On On	3PDT	17	12	1-1/2	Bat	Metal	0.465	0.500	Screw	N, FN, Sc	277-F
35-080	35-080-BU	6	On Off	SPST	20	10*	3/4	Bat	Metal	0.470	0.500	Screw	N, KN, Sc, ID	277-G
35-110	35-110-BU	6	On Off On	SPDT	20	10*	3/4	Bat	Metal	0.470	0.500	Screw	N, KN, Sc	277-H
35-130	35-130-BU	6	On On	SPDT	20	10*	3/4	Bat	Metal	0.470	0.500	Screw	N, KN, Sc	277-H
35-144	35-144-BU	7	On On	DPDT	20	10*	1-1/2	Bat	Metal	0.465	0.500	Solder	N, KN	277-I
35-146	35-146-BU	6	On On	DPDT	20	10*	1-1/2	Bat	Metal	0.470	0.500	Screw	N, KN, Sc	277-I
35-148	35-148-BU	6	On Off On	DPDT	20	10*	1-1/2	Bat	Metal	0.470	0.500	Screw	N, KN, Sc	277-I
35-149	35-149-BU	7	On Off On	DPDT	20	10	3/4	Bat	Metal	0.465	0.500	Solder	N, KN	277-I
35-150	35-150-BU	6	(On) Off (On)	DPDT	20	10*	1-1/2	Bat	Metal	0.470	0.500	Screw	N, KN, Sc	277-I
35-151	35-151-BU	6	On Off (On)	DPDT	20	10*	1-1/2	Bat	Metal	0.470	0.500	Screw	N, KN, Sc	277-I
35-153	35-153-BU	8	On Off (On)	SPDT	20	10*	3/4	Bat	Metal	0.470	0.500	Screw	N, KN, Sc	277-H
35-155	35-155-BU	8	(On) Off (On)	SPDT	20	10*	3/4	Bat	Brass	0.325	0.500	Screw	N, KN, Sc	277-H
35-185	35-185-BU	3	On Off	DPST	20	10*	1-1/2	Bat	Metal	0.465	0.500	QC .250"	N, KN	277-J
35-3005	35-3005-BU	10	On Off	SPST	20	10	3/4	Bat	Brass	0.325	0.500	QC .250"	N, KN	277-K
35-3010	35-3010-BU	9	On On	SPDT	20	10	3/4	Bat	Brass	0.325	0.500	QC .250"	N, KN	277-K
35-3015	35-3015-BU	9	On Off On	SPDT	20	10	3/4	Bat	Brass	0.325	0.500	QC .250"	N, KN	277-K
35-3020	35-3020-BU	7	On On	DPDT	20	10*	1-1/2	Bat	Brass	0.468	0.500	QC .250"	N, KN	277-L
35-3025	35-3025-BU	7	On Off On	DPDT	20	10*	1-1/2	Bat	Brass	0.468	0.500	QC .250"	N, KN	277-L
35-3045	35-3045-BU	10	On Off	DPST	20	10	3/4	Bat	Brass	0.468	0.500	QC .250"	N, KN	277-M
35-3055	35-3055-BU	9	Off (On)	SPST	20	10	3/4	Bat	Brass	0.468	0.500	QC .250"	N, KN	277-K
35-3056	35-3056-BU	9	On Off	SPST	20	10	3/4	Bat	Brass	0.325	0.500	Solder	N, KN	277-K
35-3060	35-3060-BU	3	On Off	DPST	20	10*	1-1/2	Bat	Brass	0.468	0.500	Screw	N, KN, Sc	277-N
35-3075	35-3075-BU	11	On Off	DPST	20	10	1-1/2	Bat	Brass	0.465	0.500	Screw	N, Sc	277-E
35-3170	35-3170-BU	12	On Off	SPST	***	***	1/2	Bat	Brass	0.500	0.438	Screw	KN, Sc	277-O

Notes: (On)/(Off)=Momentary On/Off
 *Rated @ 277VAC
 **1&2 On
 ***Rated 20A @ 12VDC
 FN=Face Nut
 †=Progressive Two Circuit

ID=ID Plate
 KN=Knurled Nut
 N=Nut
 QC=Quick Connect
 Sc=Screw

Note: All figures are for illustration purpose only, and the number/type of terminals may vary.

HEAVY DUTY TOGGLES (Cont.)



Switches

LIGHTED TOGGLES



Fig. 1



Fig. 2



Fig. 3



Fig. 4

Retail Part No.	Bulk Part No.	Figure No.	Circuit Function	Poles/Throws	AMPS 12 VDC	Actuator Style	Lamp Color	Terminal Type	Bushing Length	Mounting Hole	Hardware	Spec. Drawing Page/Part No.
35-3300	35-3300-BU	1	On Off	SPST	20	LED Tip	Lighted Red LED	QC .250"	0.400"	0.500"	KN	279-A
35-3301	35-3301-BU	1	On Off	SPST	20	LED Tip	Lighted Green LED	QC .250"	0.400"	0.500"	KN	279-A
35-3302	35-3302-BU	1	On Off	SPST	20	LED Tip	Lighted Amber LED	QC .250"	0.400"	0.500"	KN	279-A
35-3303	35-3303-BU	1	On Off	SPST	20	LED Tip	Lighted Blue LED	QC .250"	0.400"	0.500"	KN	279-A
35-3310	35-3310-BU	2	On Off	SPST	20	LED Duckbill	Lighted Red LED	QC .250"	0.400"	0.500"	KN	279-B
35-3311	35-3311-BU	2	On Off	SPST	20	LED Duckbill	Lighted Green LED	QC .250"	0.400"	0.500"	KN	279-B
35-3312	35-3312-BU	2	On Off	SPST	20	LED Duckbill	Lighted Amber LED	QC .250"	0.400"	0.500"	KN	279-B
35-3313	35-3313-BU	2	On Off	SPST	20	LED Duckbill	Lighted Blue LED	QC .250"	0.400"	0.500"	KN	279-B
35-3320	35-3320-BU	3	On Off	SPST	20	LED Paddle	Lighted Red LED	QC .250"	N/A	0.944"	N/A	279-C
35-3321	35-3321-BU	3	On Off	SPST	20	LED Paddle	Lighted Green LED	QC .250"	N/A	0.944"	N/A	279-C
35-3322	35-3322-BU	3	On Off	SPST	20	LED Paddle	Lighted Amber LED	QC .250"	N/A	0.944"	N/A	279-C
35-3323	35-3323-BU	3	On Off	SPST	20	LED Paddle	Lighted Blue LED	QC .250"	N/A	0.944"	N/A	279-C
35-3330	35-3330-BU	4	On Off	SPST	20	LED Tip	Lighted Red LED	QC.187"/Solder	N/A	0.866"	N/A	279-D
35-3331	35-3331-BU	4	On Off	SPST	20	LED Tip	Lighted Green LED	QC.187"/Solder	N/A	0.866"	N/A	279-D
35-3332	35-3332-BU	4	On Off	SPST	20	LED Tip	Lighted Amber LED	QC.187"/Solder	N/A	0.866"	N/A	279-D
35-3333	35-3333-BU	4	On Off	SPST	20	LED Tip	Lighted Blue LED	QC.187"/Solder	N/A	0.866"	N/A	279-D

Note: All figures are for illustration purpose only, and the number/type of terminals may vary
 QC=Quick Connect
 KN=Knurled Nut

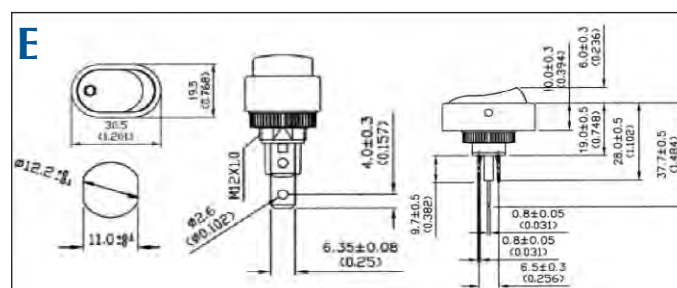
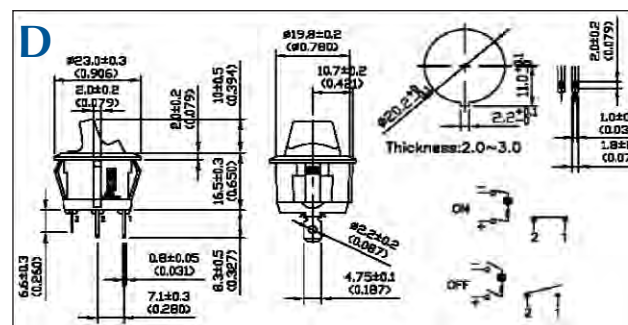
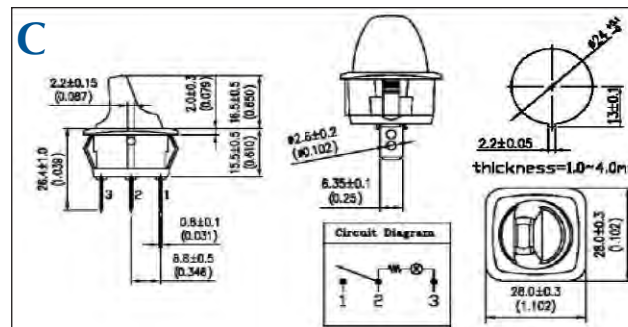
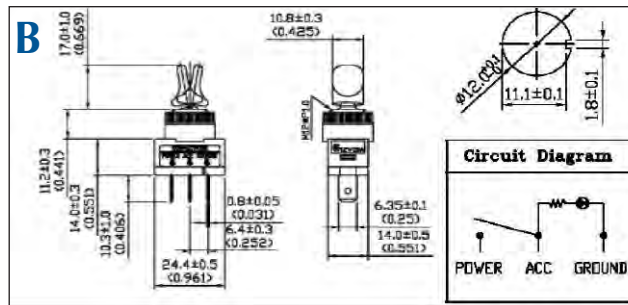
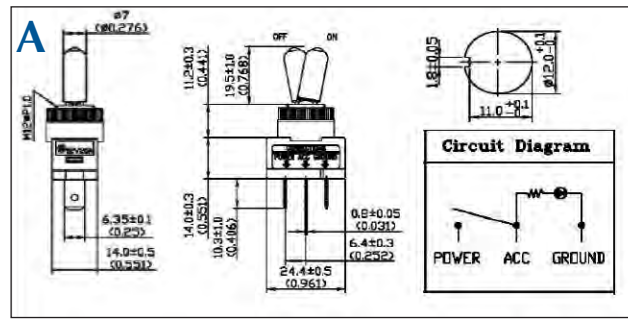
LIGHTED ROCKER



Fig. 5

Retail Part No.	Bulk Part No.	Figure No.	Circuit Function	Poles/Throws	AMPS 12 VDC	Actuator Style	Lamp Color	Terminal Type	Bushing Length	Mounting Hole	Hardware	Spec. Drawing Page/Part No.
35-3370	35-3370-BU	5	On Off	SPST	30	LED Oval Rocker	Lighted Red LED	QC .250"	0.350"	0.500"	KN	279-E
35-3371	35-3371-BU	5	On Off	SPST	30	LED Oval Rocker	Lighted Green LED	QC .250"	0.350"	0.500"	KN	279-E
35-3372	35-3372-BU	5	On Off	SPST	30	LED Oval Rocker	Lighted Amber LED	QC .250"	0.350"	0.500"	KN	279-E
35-3373	35-3373-BU	5	On Off	SPST	30	LED Oval Rocker	Lighted Blue LED	QC .250"	0.350"	0.500"	KN	279-E

Note: All figures are for illustration purpose only, and the number/type of terminals may vary
 QC=Quick Connect
 KN=Knurled Nut



Switches