

EB100-KU

ULT

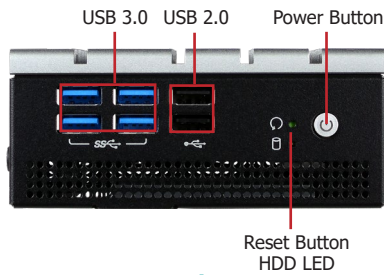


Features

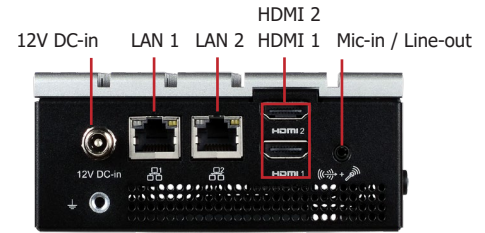
- Supports DDR4 SODIMM up to 32GB
- HDMI resolution supports up to 4096x2304 @ 24Hz
- 1x 2.5" SATA 3.0 drive bay
- Rich I/O connectivity: 2 GbE, 4 USB 3.0, 2 USB 2.0
- Supports 1 Mini PCIe and 1 M.2 slots



Panel

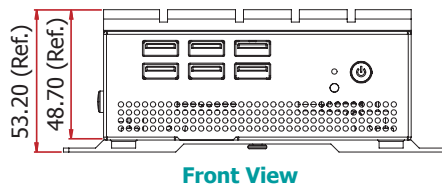


Front View

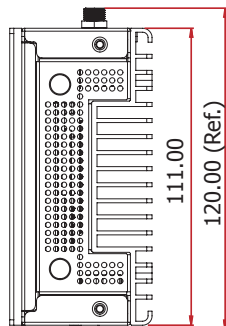


Rear View

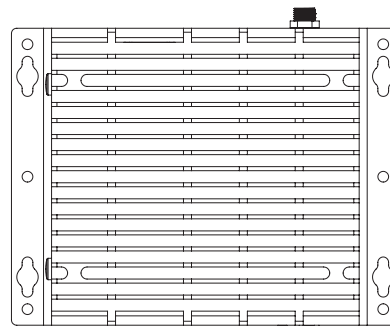
Dimensions



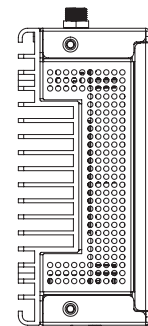
Front View



Left View



Rear View

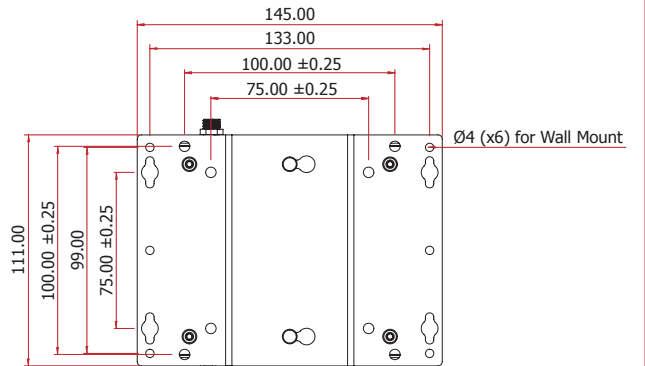
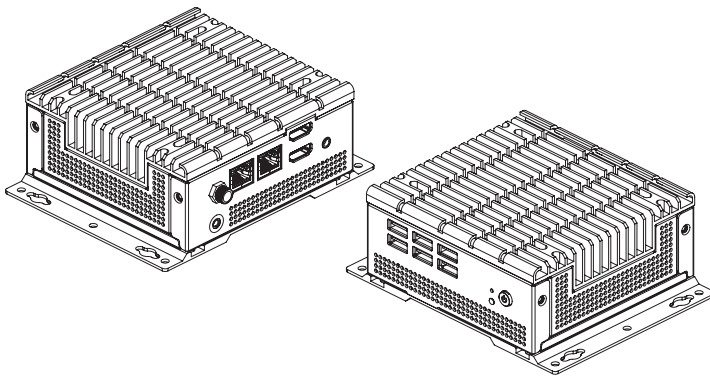


Right View

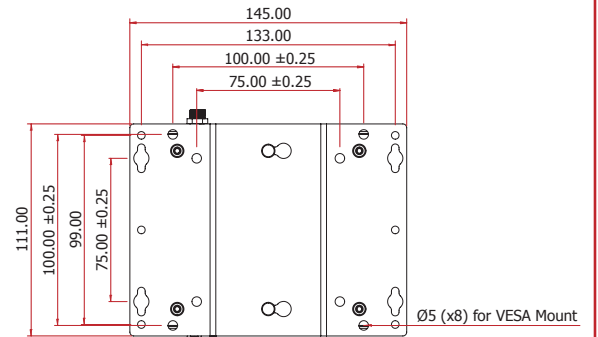
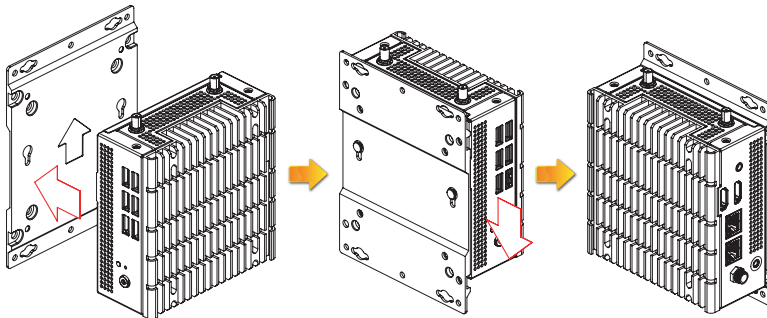
► Specifications

SYSTEM	Processor	6th/7th Generation Intel® Core™ Processors, BGA 1356 Intel® Core™ i7-6600U Processor, Dual Core, 4M Cache, 2.6GHz, 15W Intel® Core™ i5-6300U Processor, Dual Core, 3M Cache, 2.4GHz, 15W Intel® Core™ i3-6100U Processor, Dual Core, 3M Cache, 2.3GHz, 15W Intel® Core™ i7-7600U Processor, Dual Core, 4M Cache, 2.8GHz (3.9GHz), 15W Intel® Core™ i5-7300U Processor, Dual Core, 3M Cache, 2.6GHz (3.5GHz), 15W Intel® Core™ i3-7100U Processor, Dual Core, 3M Cache, 2.4GHz, 15W
	Memory	Two 260-pin SODIMM up to 32GB Dual Channel DDR4 1866/2133MHz
	BIOS	Insyde SPI 128Mbit
	GRAPHICS	Controller Intel® HD Graphics Display 2 x HDMI HDMI: resolution up to 2560x1600 @ 60Hz or 4096x2304 @ 24Hz Dual Displays HDMI
STORAGE	Internal 1 x 2.5" SATA 3.0 Drive Bay	
EXPANSION	Interface 1 x Half-size Mini PCIe socket (PCIe/USB 2.0) 1 x M.2 M Key 2280 (Support SATA signal only)	
ETHERNET	Controller 1 x Intel® I210AT (10/100/1000Mbps) 1 x Intel® I219LM (10/100/1000Mbps)	
LED	Indicators 1 x Power LED 1 x Storage LED	
FRONT I/O	USB	2 x USB 2.0 4 x USB 3.0
	Buttons	1 x Power Button 1 x Reset Button
	Wi-Fi Antenna	2 x Antenna Hole
REAR I/O	Ethernet	2 x GbE (RJ-45)
	Display	2 x HDMI
	Audio	1 x Line-out 1 x Mic-in
POWER	Type	12V DC in
	Connector	DC Jack
OS SUPPORT		Windows 10 IoT Enterprise LTSB 64 Bit
MECHANISM	Construction	Metal + Aluminum
	Mounting	Wall/VESA Mount
	Dimensions (W x H x D)	115mm x 48.7mm x 111mm
	Weight	< 1Kg
ENVIRONMENT	Operating Temperature	-20 to 40°C
	Storage Temperature	-20 to 85°C
	Relative Humidity	5 to 95% RH (non-condensing)
STANDARDS AND CERTIFICATIONS	Shock	Half sine wave 3G, 11ms, 3 shock per axis
	Vibration	IEC68-2-64
	Certification	CE, FCC Class A, RoHS, UL/cUL

Wall Mounting



VESA Mounting



► Ordering Information

Model Name	Part Number	Description
EB100-KU0061-73	750-EB1000-000G	Fanless, i5-7300U, 2 DDR4 SODIMM Socket, 4 USB3.0, 2 USB2.0, 2 LAN, 2 HDMI, 1 Audio (Line out & Mic in), 1 M.2 (2280), 1 mini-PCIe(half size), F/G SYSTEM RoHS
EB100-KU0061-76	750-EB1000-100G	Fanless, i7-7600U, 2 DDR4 SODIMM Socket, 4 USB3.0, 2 USB2.0, 2 LAN, 2 HDMI, 1 Audio (Line out & Mic in), 1 M.2 (2280), 1 mini-PCIe(half size), F/G SYSTEM RoHS
EB100-KU0061-71	750-EB1000-200G	Fanless, i3-7100U, 2 DDR4 SODIMM Socket, 4 USB3.0, 2 USB2.0, 2 LAN, 2 HDMI, 1 Audio (Line out & Mic in), 1 M.2 (2280), 1 mini-PCIe(half size), F/G SYSTEM RoHS
EB100-KU0061-63	750-EB1000-300G	Fanless, i5-6300U, 2 DDR4 SODIMM Socket, 4 USB3.0, 2 USB2.0, 2 LAN, 2 HDMI, 1 Audio (Line out & Mic in), 1 M.2 (2280), 1 mini-PCIe(half size), F/G SYSTEM RoHS
EB100-KU0061-66	750-EB1000-400G	Fanless, i7-6600U, 2 DDR4 SODIMM Socket, 4 USB3.0, 2 USB2.0, 2 LAN, 2 HDMI, 1 Audio (Line out & Mic in), 1 M.2 (2280), 1 mini-PCIe(half size), F/G SYSTEM RoHS
EB100-KU0061-61	750-EB1000-500G	Fanless, i3-6100U, 2 DDR4 SODIMM Socket, 4 USB3.0, 2 USB2.0, 2 LAN, 2 HDMI, 1 Audio (Line out & Mic in), 1 M.2 (2280), 1 mini-PCIe(half size), F/G SYSTEM RoHS

► Optional Items

Optional Items	Part Number	Description
Memory	785-RSOD44G	SODIMM, DDR4 Module, 4GB, RoHS
	785-RSOD48G	SODIMM, DDR4 Module, 8GB, RoHS
	785-RSOD416G	SODIMM, DDR4 Module, 16GB, RoHS
M.2	785-M264GM80	M.2 2280, 64GB, MLC
	785-M2128GM80	M.2 2280, 128GB, MLC
	785-M2256GM80	M.2 2280, 256GB, MLC
	785-M2512GM80	M.2 2280, 512GB, MLC
	785-M21TM80	M.2 2280, 1TB, MLC
Power Adapter	671-106012-000G	60W, 12V/5A, Level 6, RoHS
Wi-Fi Kit	761-AP1235-000G	Wi-Fi+BT Kit, Wi-Fi+BT Module, W/Antenna, SMA Cable/200mm, 802.11 abgn/ac, AP12356 (ENLI), Mini PCIe Bracket, Screw *4 RoHS
Wall/Vesa Mount	761-EB1000-000G	Accessory Wall/Vesa Mount Kits EB100-KU RoHS

► Packing List

• 1 EB100-KU system unit
• 1 Quick Installation Guide
• Mounting screws for Mini PCIe module & M.2 module
• Wall mount kit (optional)
• Power adapter (optional)