

PLEASE CHECK WWW.MOLEX.COM FOR LATEST PART INFORMATION

Part Number: [0190220022](#)
Status: **Active**
Description: Krimptite™ Quick Disconnect, Male, for 14-16 (2.00-1.30) Wire, Box, Tab 4.75mm (.187") x 0.51mm (.020")

Documents:

[Drawing \(PDF\)](#) [RoHS Certificate of Compliance \(PDF\)](#)

General

Product Family	Quick Disconnects
Series	19022
Comments	Economical
Crimp Quality Equipment	Yes
MolexKits	Yes
Product Name	Krimptite™
Type	Quick Disconnect

Physical

Barrel Type	Closed
Gender	Male
Glow-Wire Compliant	No
Insulation	None
Lock to Mating Part	None
Material - Metal	Copper
Material - Plating Mating	Zinc Chromate
Material - Plating Termination	Zinc Chromate
Orientation	Straight
Packaging Type	Bag
Plating min: Mating (µin)	200
Plating min: Mating (µm)	5
Plating min: Termination (µin)	200
Plating min: Termination (µm)	5
Polarized to Mating Part	No
Tab Thickness	0.51mm (.020")
Tab Width	4.75mm (.187")
Temperature Range - Operating	Per Wire Specification
Wire Size AWG	14, 16
Wire Size mm²	1.30 - 2.00

Electrical

Voltage - Maximum	Per Wire Specification
-------------------	------------------------

Material Info

Old Part Number	MCT-17
-----------------	--------

Reference - Drawing Numbers

Sales Drawing	SD-19022-007
---------------	--------------

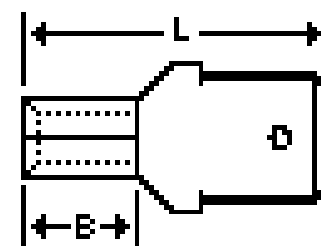


image - Reference only

—Series

EU RoHS

**ELV and RoHS
Compliant**

REACH SVHC

Contains SVHC: No

Halogen-Free

Status

Halogen-Free

China RoHS



**Need more information on product
environmental compliance?**

Email productcompliance@molex.com
 For a multiple part number RoHS Certificate of Compliance, [click here](#)

Please visit the [Contact Us](#) section for any non-product compliance questions.

Search Parts in this Series

[19022Series](#)

Application Tooling | FAQ

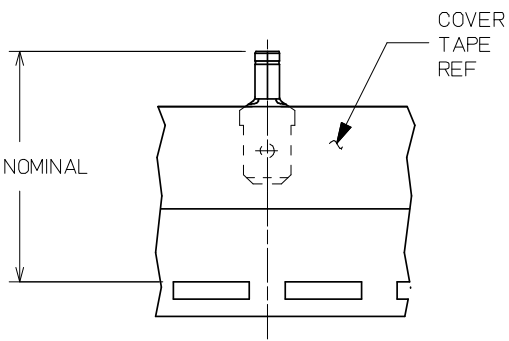
Tooling specifications and manuals are found by selecting the products below. Crimp Height Specifications are then contained in the Application Tooling Specification document.

Global

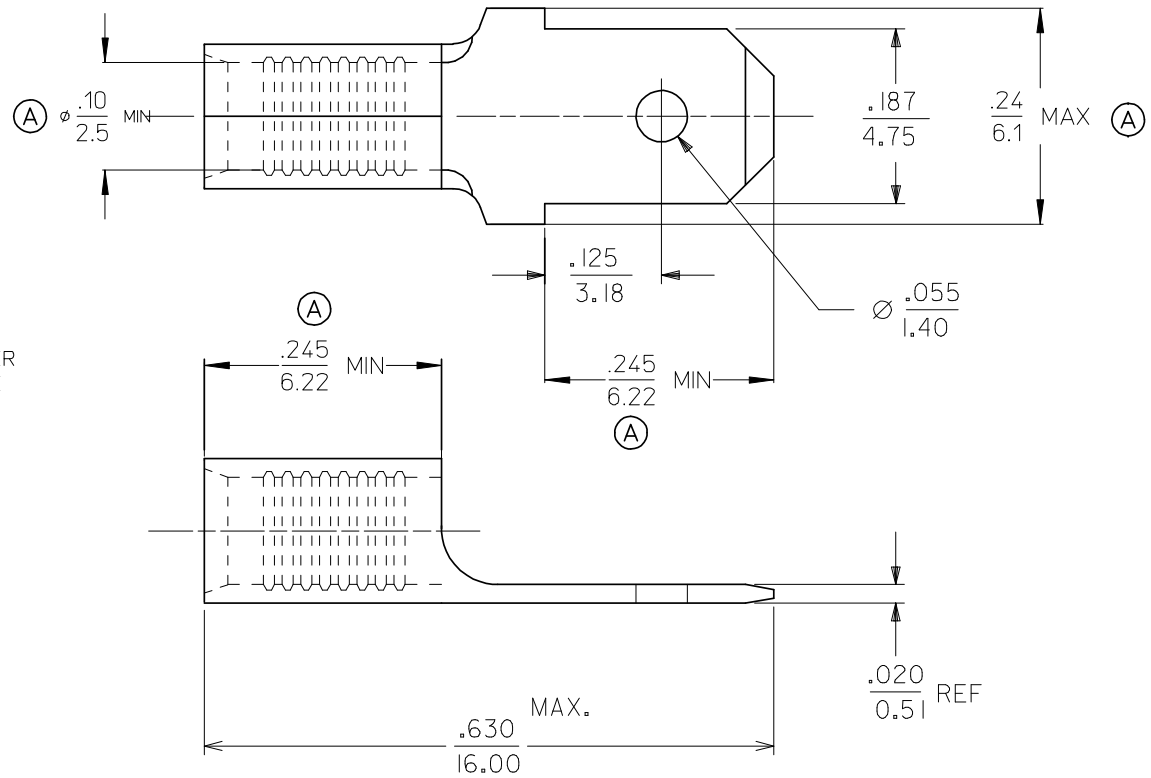
Description	Product #
Hand Crimp Tool	0640031200
Crimp Head for the AT-200™ Pneumatic Hand Tool	0640071200

13	12	11	10	9	8	7	6	5	4	3	2	1
MATERIAL NUMBER		ENGINEERING NUMBER	FINISH	CARRIER								
190220022		MCT-17	ZINC CHROMATE PLATING	LOOSE PIECE								
190220024		MCT-17T	ZINC CHROMATE PLATING	TAPE MOUNTED								

1.23
31.2
NOMINAL



190220024 (MCT-17T)
PARTS ON TAPE



Ⓐ NOTES:

1. MATERIAL: BRASS
2. FINISH: SEE CHART
3. WIRE SIZE: 16-14 AWG (1.23-1.94 mm²)
4. TAB DIMENSIONS CONFORM TO UL310 SPECIFICATIONS.
5. PART IS ROHS COMPLIANT.

CHANGED MATERIAL EC NO: ETC2007-0081 DRAWN:EHILE 2008/01/28 CHKD:JMACEIL 2008/01/28 APPR:JMACEIL 2008/02/13	QUALITY SYMBOLS ▼=0 ▽=0	GENERAL TOLERANCES (UNLESS SPECIFIED)		DIMENSION STYLE IN/MM		SCALE 10:1	DESIGN UNITS INCH	THIRD ANGLE PROJECTION	
		4 PLACES ± --- ± --- 3 PLACES ± --- ± .005 2 PLACES ± 0.13 ± .01 1 PLACE ± 0.25 ± ---	mm INCH	DRAWN BY EMF	DATE 1991/01/25	TITLE MALE CONNECTOR TERMINAL LONG BARREL .187 X .020 16-14 AWG			
		ANGULAR ± --- °	APPROVED BY DATE	MOLEX MOLEX INCORPORATED					
		DRAFT WHERE APPLICABLE MUST REMAIN WITHIN DIMENSIONS	MATERIAL NO. SEE CHART	DOCUMENT NO. SD-19022-007	SHEET NO. 1 OF 1				
A REV	DESCRIPTION	THIS DRAWING CONTAINS INFORMATION THAT IS PROPRIETARY TO MOLEX INCORPORATED AND SHOULD NOT BE USED WITHOUT WRITTEN PERMISSION							