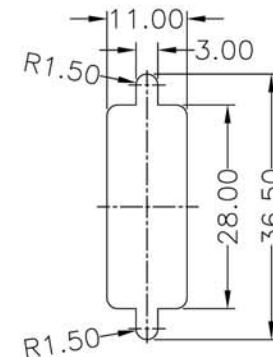
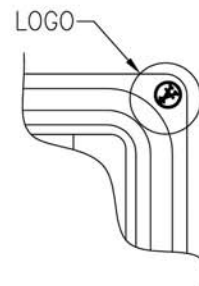
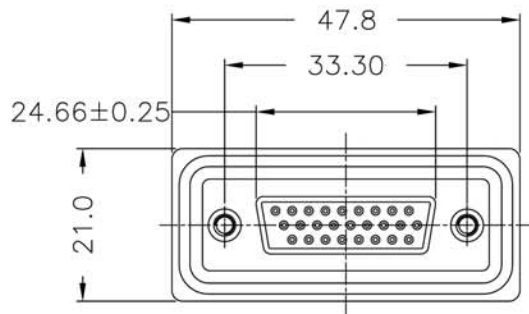
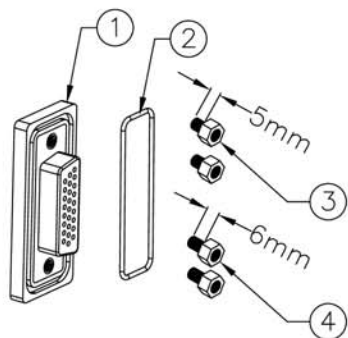


Screw L=5.0 For Panel Thickness Under 1.2mm

Screw L=6.0 For Panel Thickness Between 1.2~2.0mm



Recommended Panel Cut-Out

Note:

- \* Waterproof Rate: IP67
- \* Connector: Black, Nylon+GF
- \* Pin: Copper Alloy, Gold Plated
- \* Applicable Wire Range: 24AWG-28AWG



|  |
|--|
| ITEM NO<br>A-HDF26LL-WP                                  |
| TITLE<br>D-SUB, High Density, Female, 26 pin, Solder Cup |

**ASSMANN**  
Electronics, Inc.

1840 W. Drake Drive, Suite 101 - Tempe, AZ 85283  
Toll Free: 1-877-277-6266 Email: info@usa-assmann.com

THIS DRAWING IS UNPUBLISHED  
© Copyright 2008 by Assmann Electronic Components  
All International Rights Reserved