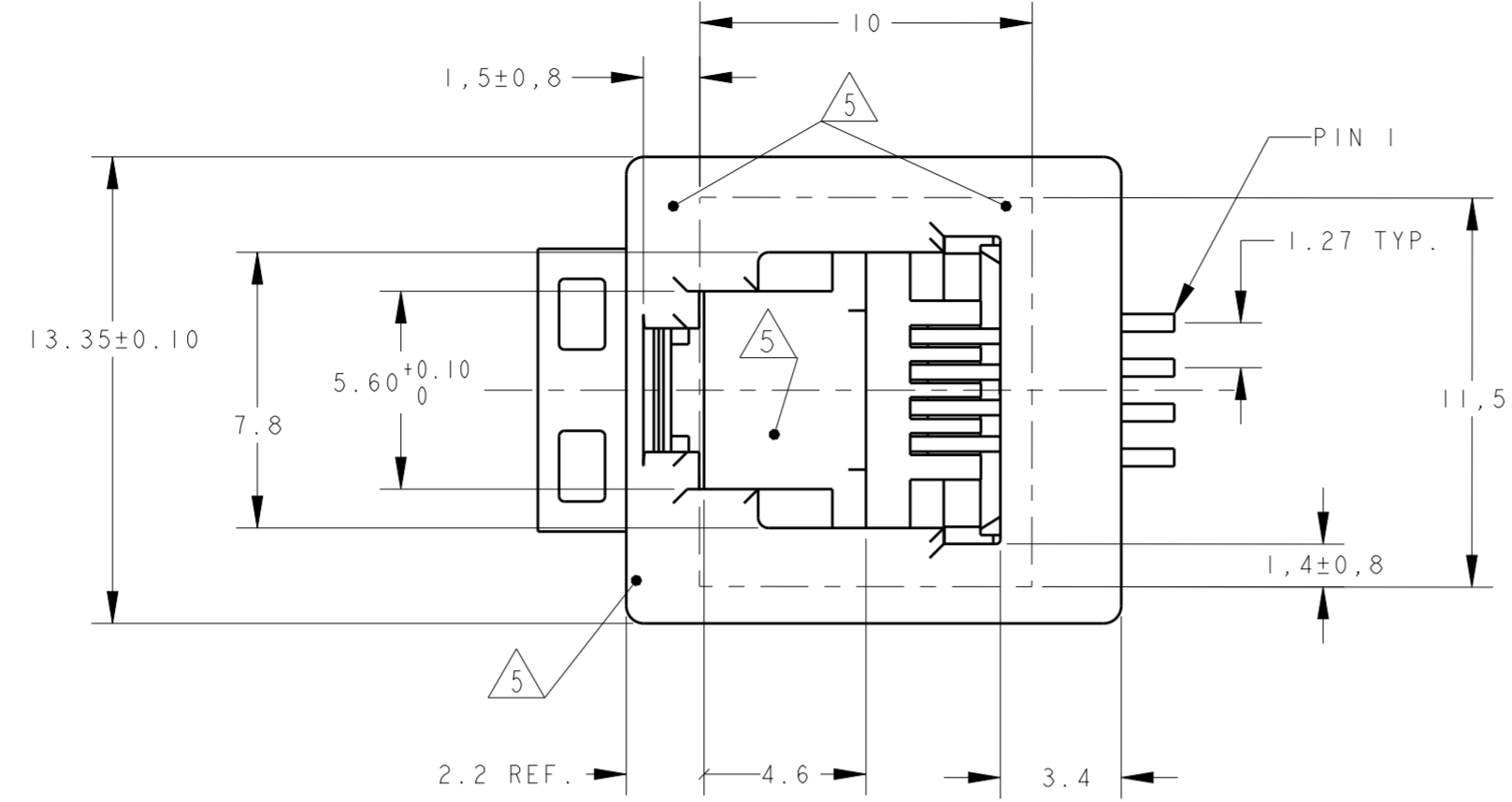
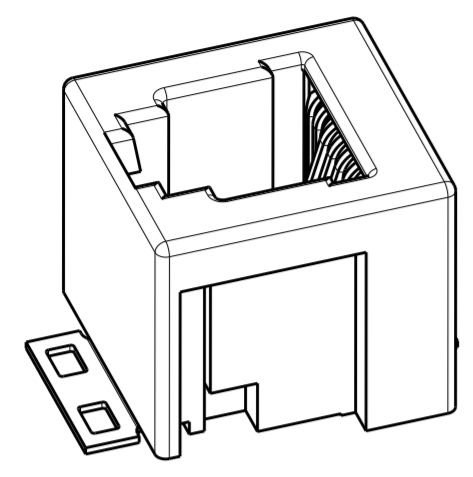


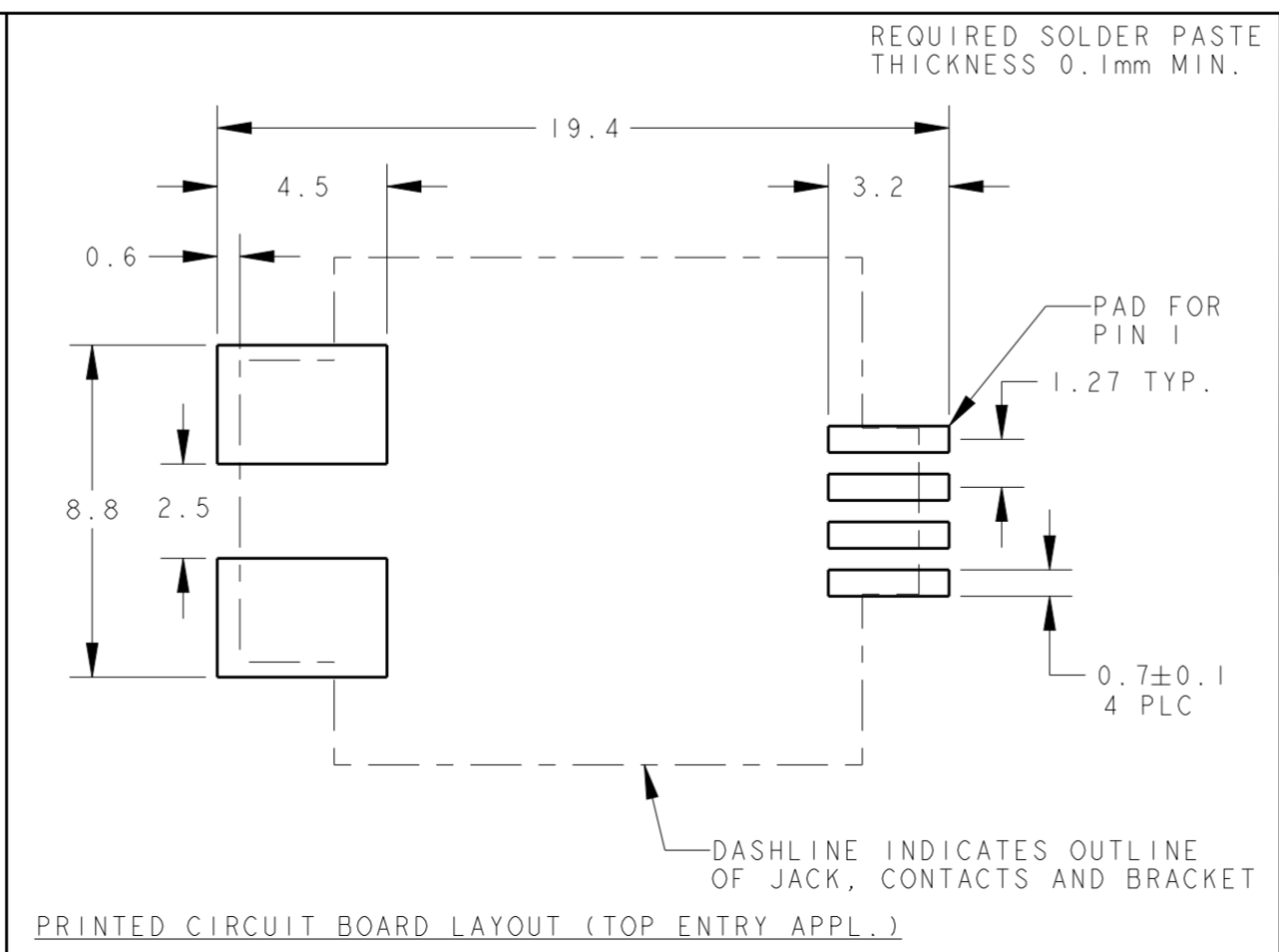
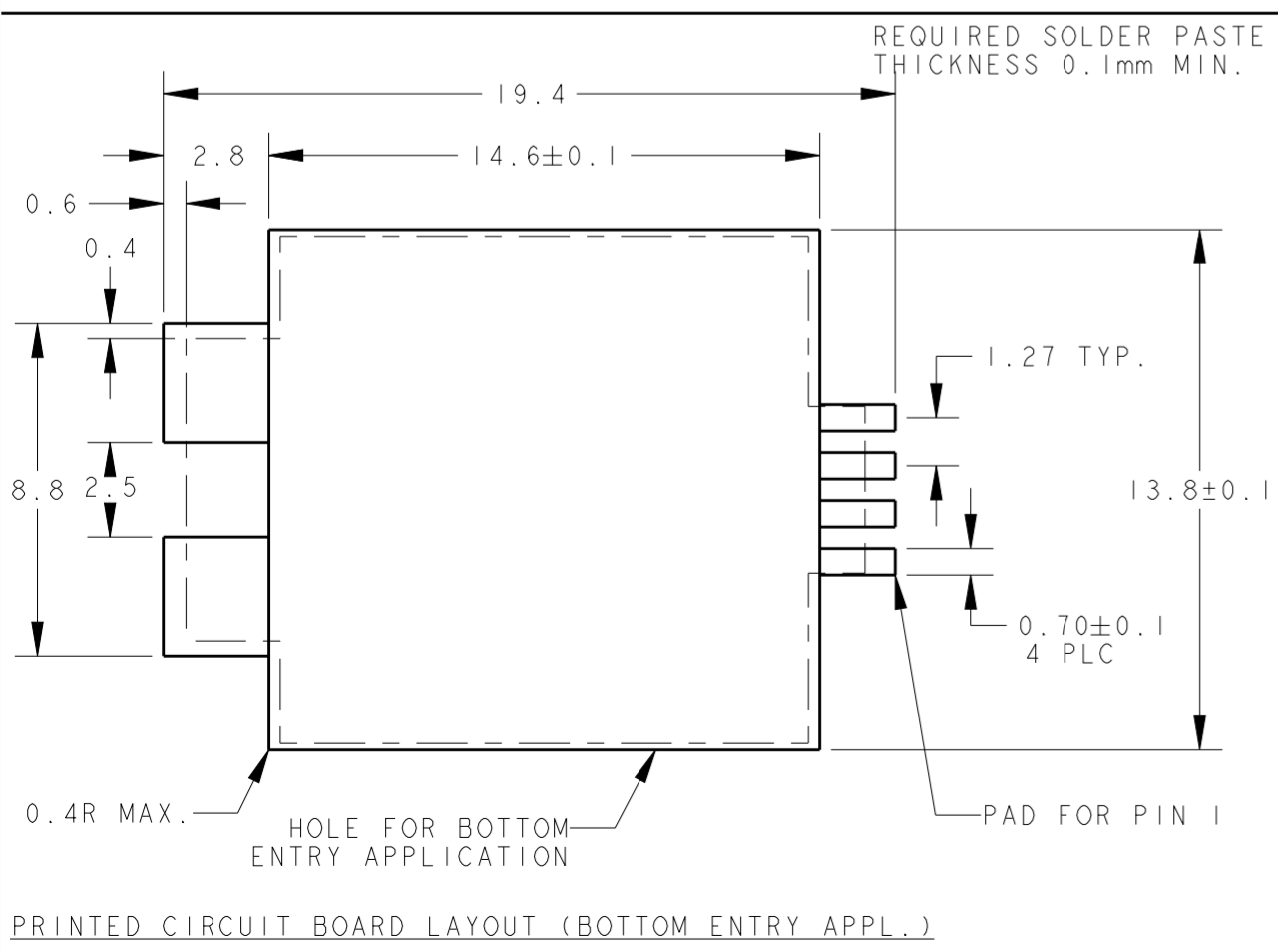
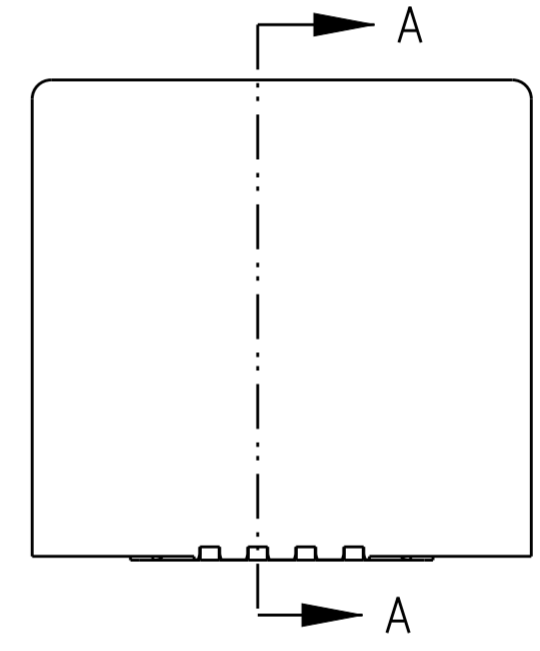
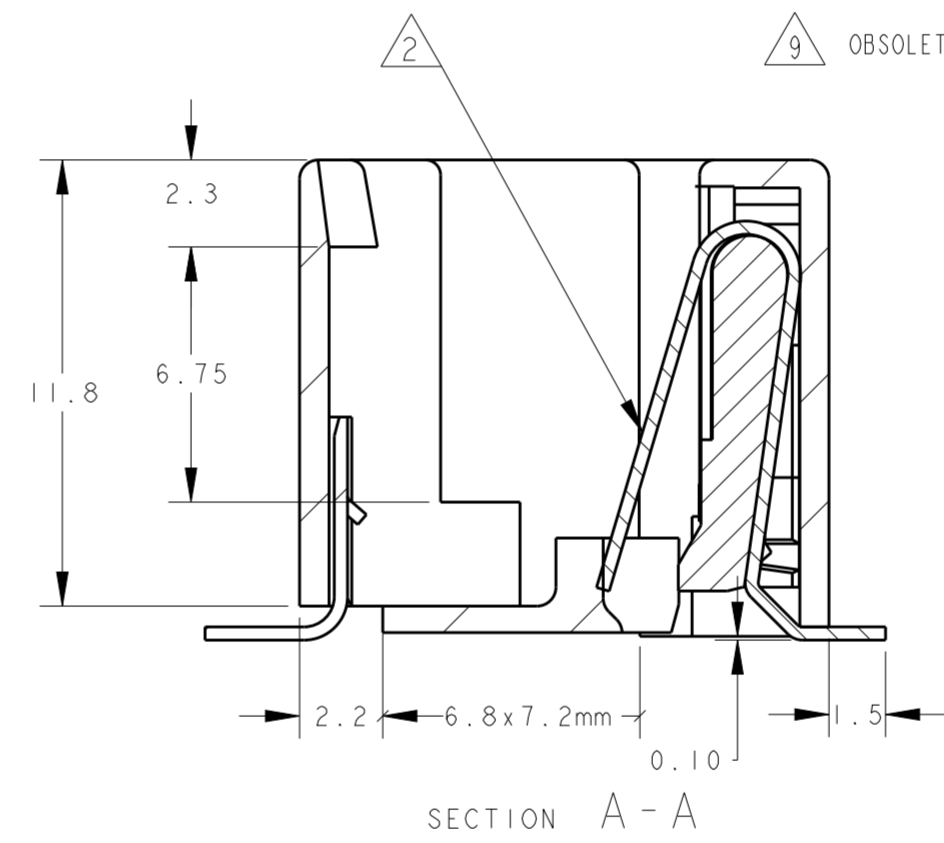
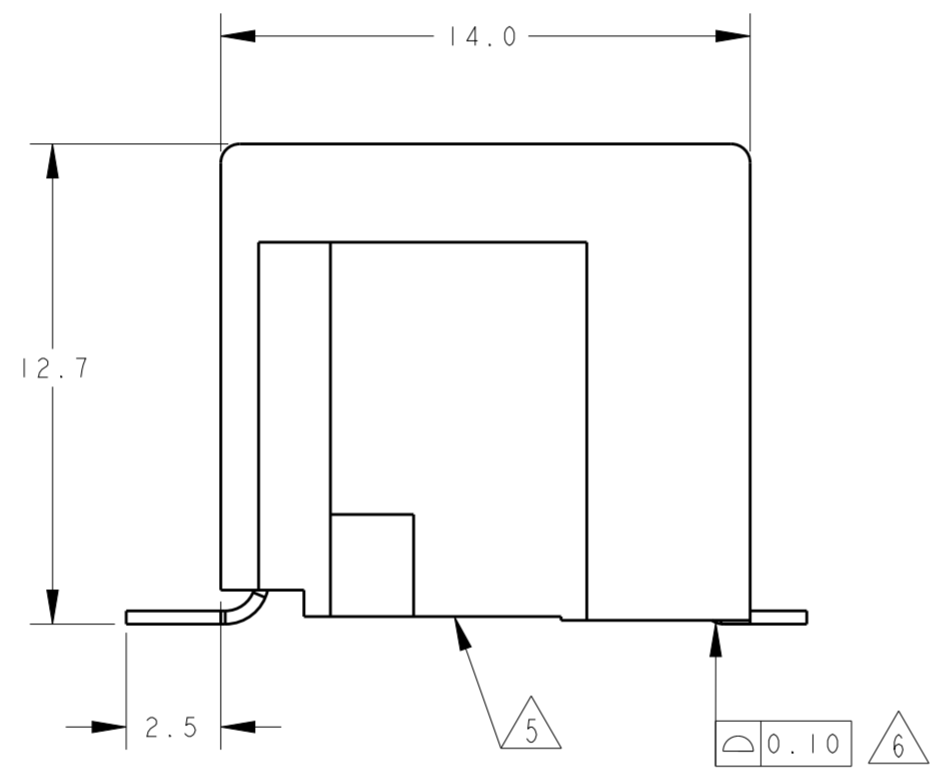
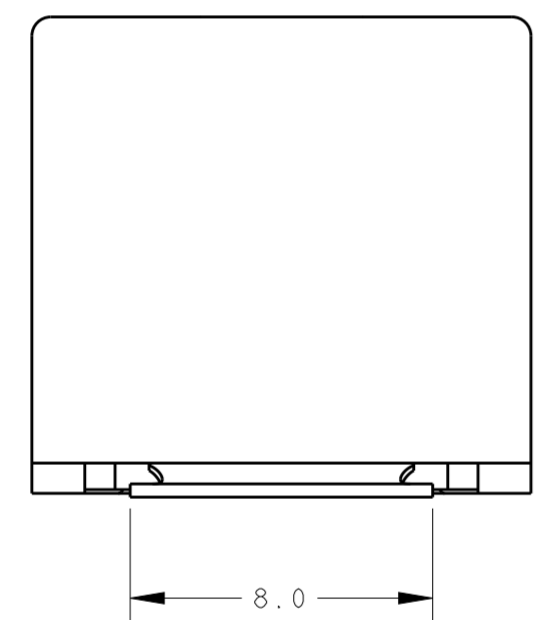
THIS DRAWING IS UNPUBLISHED. RELEASED FOR PUBLICATION 2011
 © COPYRIGHT 2011 TE CONNECTIVITY ALL RIGHTS RESERVED.

| LOC | | DIST | | REVISIONS | | | |
|-----|-----|---|-----------|-----------|------|--|--|
| P | LTR | DESCRIPTION | DATE | DWN | APVD | | |
| | Z | HOUSING RIB STRENGTHENED AND RAW MATERIAL CHANGED TO PA4T | 06JAN2012 | PS | RRP | | |
| | AA | ECO-16-001320 | 13JUN2016 | AD | SH | | |



NOTES:

- 1 TOLERANCES UNLESS OTHERWISE SPECIFIED: ±0.15.
- 2 CONTACT PLATING:
 OVERALL: Ni 1.27µm MIN. ALL OVER THE CONTACTS
 SOLDER ZONE: Sn 3.5-5.0µm ON THE SOLDER ZONE OF THE CONTACT
 MATING ZONE: PLATING CONFIRMS TO PRODUCT REQUIREMENTS AS PER SPECIFICATION 108-19117
- 3 MATERIALS:
 HOUSING: 30% G.F. LCP COLOR BLACK, UL 94V-0.
 CONTACTS: PHOSPHOR BRONZE
 SOLDER BRACKET: TIN PLATED BRASS WITH NICKEL UNDERPLATE.
- 4 THIS JACK CAN ALSO BE APPLIED HANGING THROUGH A HOLE, IN A PRINTED CIRCUIT BOARD. SEE LEFT PCB LAYOUT.
- 5 SURFACE CAN BE USED FOR PICKING THE MODULAR JACK WITH, TYPE 11 SMD MACHINE.
- 6 MEASURED AT HEEL OF CONTACTS
 COPLANARITY AT TIPS OF CONTACTS MAX. 0.18mm
- 7 TAPE AND REEL PACKAGING ACCORDING TO EIA 481-3 SPECIFICATIONS.
- 8 INCLUDES KAPTON TAPE (10x11.5mm) ON TOP SURFACE AS PICK AND PLACE FEATURE.
- 9 OBSOLETE PARTS: OBSOLETE CIS STREAMLINING PER D.RENAUD/D.SINSI



| | | | |
|---------|----------------|---|--------------|
| 9 | 4 POS./4 CONT. | 750 PCS ON Ø560 mm OD REEL. BOTTOM ENTRY ORIENTATION PER DETAIL B2 | 2-338084-5 |
| | 4 POS./4 CONT. | 750 PCS ON Ø560 mm OD REEL. TOP ENTRY ORIENTATION PER DETAIL B1 | 2-338084-3 |
| | 4 POS./4 CONT. | 300 PCS ON Ø360 mm OD REEL. TOP ENTRY ORIENTATION PER DETAIL B1 | 8 1-338084-6 |
| 9 | 4 POS./4 CONT. | 300 PCS ON Ø360 mm OD REEL. BOTTOM ENTRY ORIENTATION PER DETAIL B2 | 1-338084-5 |
| | 4 POS./4 CONT. | 300 PCS ON Ø360 mm OD REEL. TOP ENTRY ORIENTATION PER DETAIL B1 | 1-338084-3 |
| REMARKS | | PACKAGING 7 | PART NUMBER |

THIS DRAWING IS A CONTROLLED DOCUMENT.

DWN: 30-Sep-96
 E.v.ELJK
 CHK: DEC.'96
 E.STELLINGA

APVD: R.SMEETS

PRODUCT SPEC: 108-19117

APPLICATION SPEC: 114-19041

WEIGHT: 1.92 gr

MATERIAL: SEE NOTE 3 -

TOLERANCES UNLESS OTHERWISE SPECIFIED:
 0 PLC ±
 1 PLC ±
 2 PLC ±
 3 PLC ±
 4 PLC ±
 ANGLES ±
 FINISH

SEE NOTE 2 -

CUSTOMER DRAWING

SCALE: 5:1

SHEET 1 OF 2

REV AA

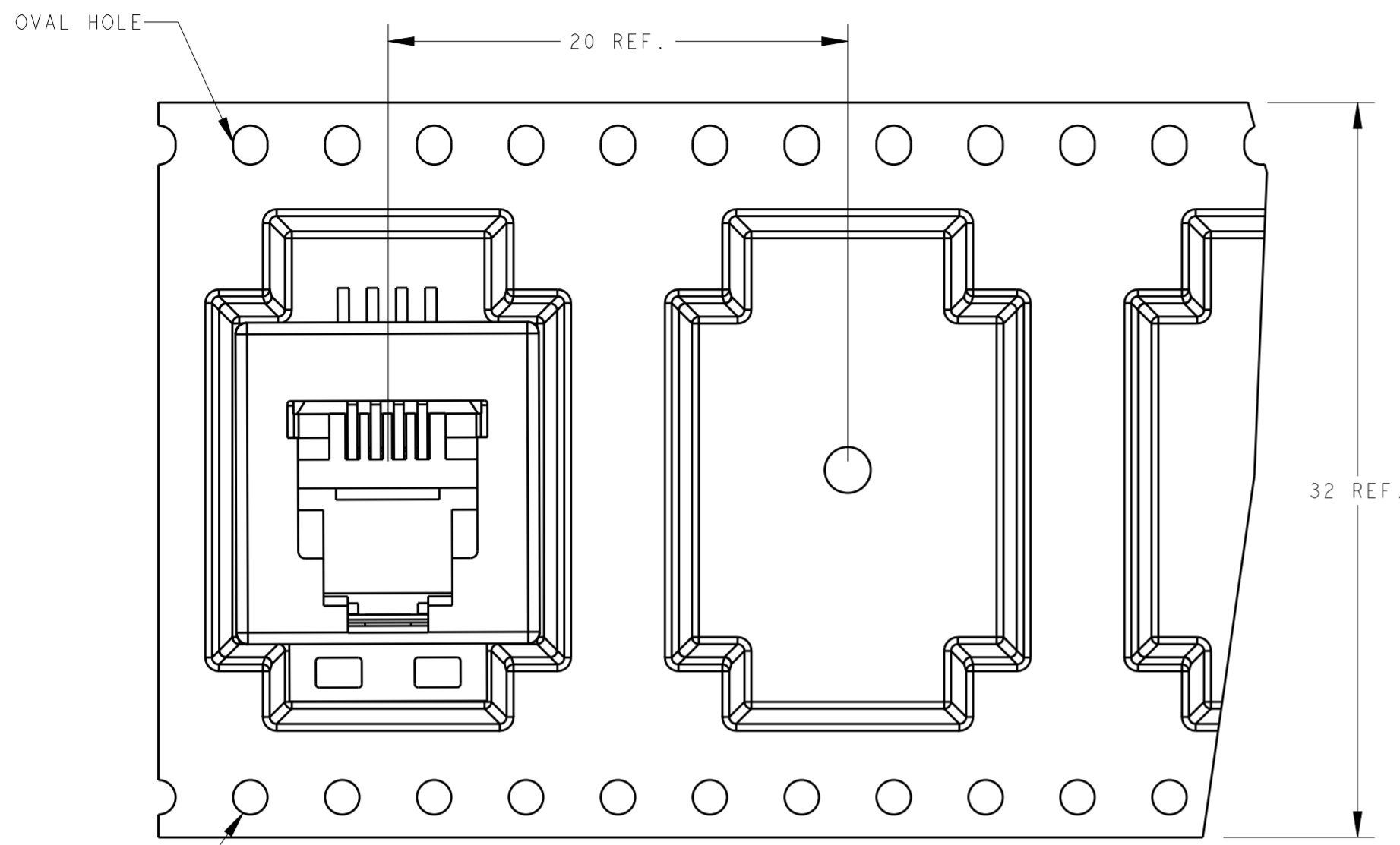
STE TE Connectivity

INVERTIBLE MODULAR JACK, 4 POSITION
 HANDSET
 SURFACE MOUNT APPLICATION

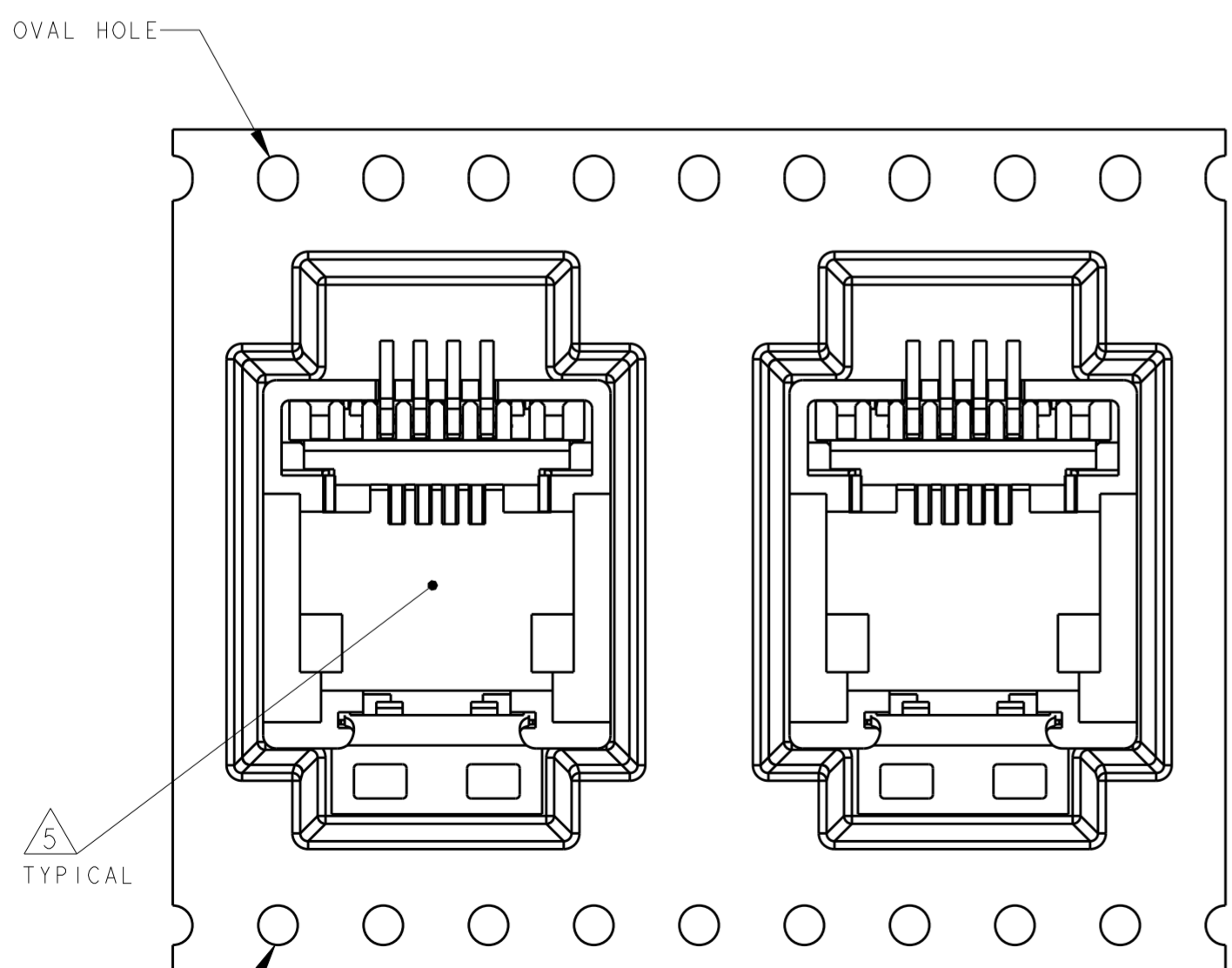
SIZE: A2
 CAGE CODE: 0779
 DRAWING NO: C-338084

THIS DRAWING IS UNPUBLISHED. RELEASED FOR PUBLICATION 2011
 © COPYRIGHT 2011 TE CONNECTIVITY ALL RIGHTS RESERVED.

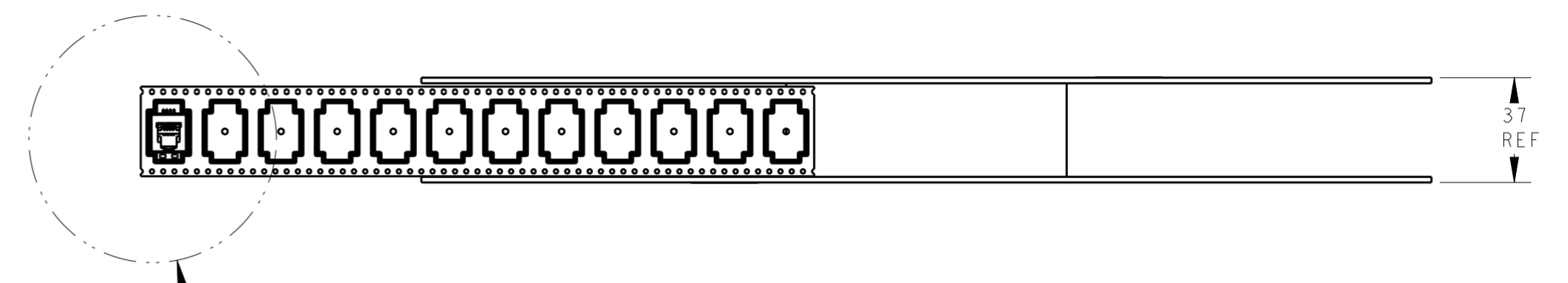
| LOC | DIST | REVISIONS | | | |
|-----|------|-------------|------|-----|------|
| P | LTR | DESCRIPTION | DATE | DWN | APVD |
| IR | - | SEE SHEET 1 | - | - | - |
| | | | | | |
| | | | | | |



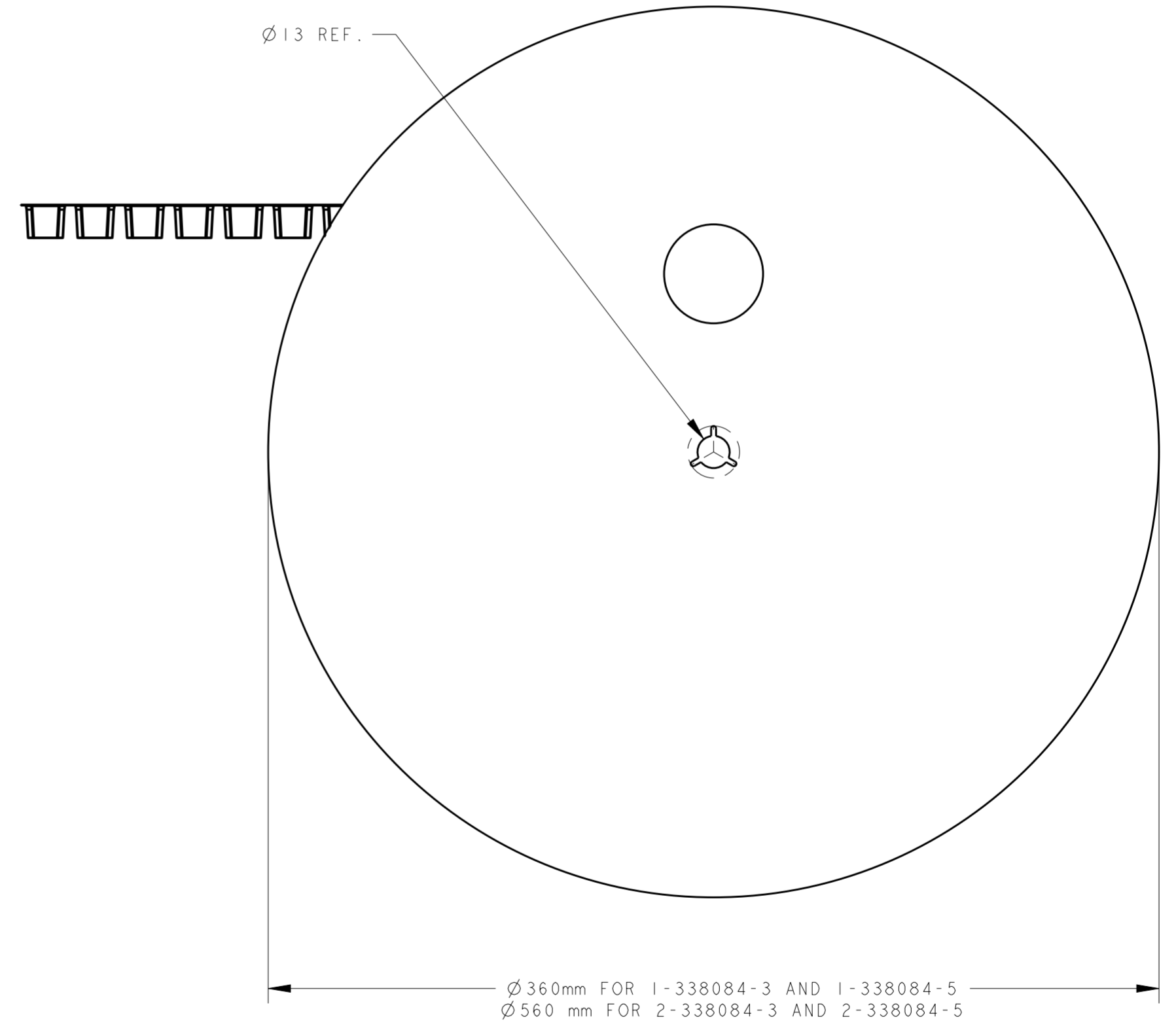
TOP ENTRY ORIENTATION.
 DETAIL B1
 SCALE 4:1



BOTTOM ENTRY ORIENTATION.
 DETAIL B2
 SCALE 4:1



SEE DETAIL B1 & B2



Ø 360mm FOR 1-338084-3 AND 1-338084-5
 Ø 560 mm FOR 2-338084-3 AND 2-338084-5

| | | | | |
|---|--|-------------------------------|---|------------------------|
| THIS DRAWING IS A CONTROLLED DOCUMENT. | | DWN E.v.ELJK 30-Sep-96 | TE Connectivity | |
| | | CHK R.SMEETS DEC.'96 | | |
| DIMENSIONS: mm | | APVD R.SMEETS | NAME INVERTIBLE MODULAR JACK, 4 POSITION HANDSET SURFACE MOUNT APPLICATION | |
| TOLERANCES UNLESS OTHERWISE SPECIFIED: 0 PLC ± 1 PLC ± 2 PLC ± 3 PLC ± 4 PLC ± ANGLES ± FINISH | | PRODUCT SPEC 108-19117 | SIZE 114-19041 | RESTRICTED TO |
| MATERIAL | | APPLICATION SPEC 114-19041 | WEIGHT 1.92 gr | |
| | | CUSTOMER DRAWING | SCALE 5:1 | SHEET 2 OF 2 REV AA |