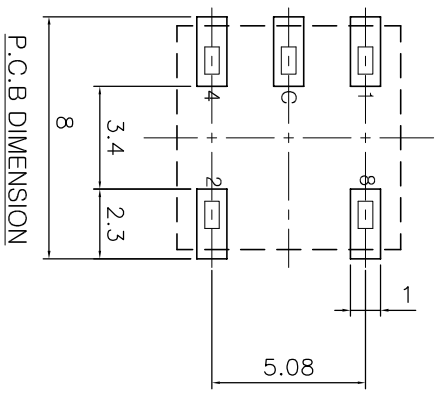
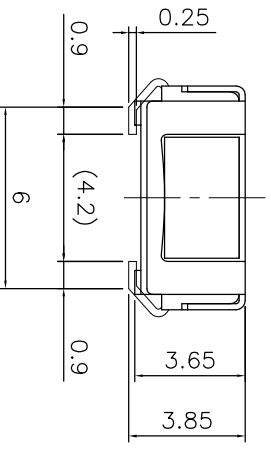
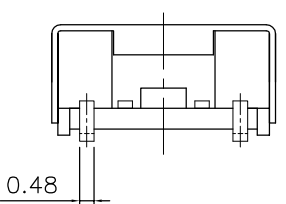
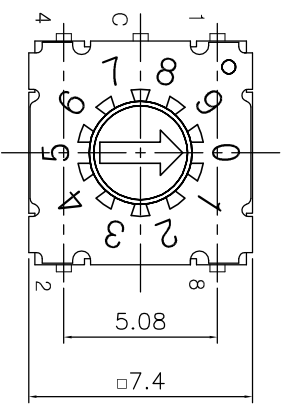


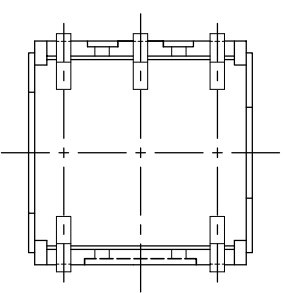
MRK.	DATE	REVISION	SIGN
------	------	----------	------



		Real Coded				
		C	1	2	4	8
0		●				
1			●			
2				●		
3					●	
4						●
5			●			
6				●		
7					●	
8			●			
9				●		
A		●				
B			●			
C				●		
D					●	
E			●			
F				●		

SPECIFICATION

- Operating Voltage : 50V
(None—Switching : 100mA)
(Switching : 100mA)
- Contact Resistance : 100mΩ Max
- Insulation Resistance : 100MΩ Min
- Operating Force : 200gf Max
- Life Cycle : 10,000 steps
- Sealing : Comparable IP67



DRAW/DESIGNED	CHECKED	APPROVED	UNIT	SCALE	TITLE	DRAW NO.	SHEET
			mm	4:1	MSDR-10J MINI ROTARY SWITCH	MSDR-10JC-01	1/1
2016-11-21							
SUNGJUN ELECTRONICS CO.,LTD				SIZE			
				A4			
				G.TOL			
				±0.1			