

0.4 Amp Output Current IGBT Gate Drive Optocoupler

Technical Data

Features

- **Supply Current (I_{CC}): 11 mA (Max.)**
- **Supply Voltage (V_{CC}): 10-30 V**
- **Output Current (I_O): ± 0.4 A (Min.)**
- **Switching Time (t_{PLH}/t_{PHL}): 1 μ s (Max.)**
- **Isolation Voltage (V_{ISO}): 3750 Vrms (Min.)**
- **UL 577 Recognized: File No. E55361**
- **CSA Approved**
- **10 kV/ μ s Minimum Common Mode Rejection (CMR) at $V_{cm} = 600$ V**
- **Creepage Distance: 7.4 mm. Clearance: 7.1 mm.**

Applications

- **IGBT/MOSFET Gate Drive**
- **AC/Brushless DC Motor Drives**
- **Industrial Inverters**
- **Switch Mode Power Supplies**

Description

The HCPL-T251 contains GaAsP LED. The LED is optically coupled to an integrated circuit with a power output stage. This optocoupler is ideally suited for driving power IGBTs and MOSFETs used in motor control inverter applications. The high operating voltage range of the output stage provides the drive voltages required by gate controlled devices. The voltage and current supplied by this optocoupler makes it ideally suited for directly driving small or medium power IGBTs.

Ordering Information

Specify Part Number followed by Option Number.

Example:

HCPL-T251 #XXXX

- No Option = Standard DIP Package, 50 per tube.
- 300 = Gull Wing Surface Mount Option, 50 per tube.
- 500 = Tape and Reel Packaging Option, 1000 per reel.
- XXXE = Lead Free Option.

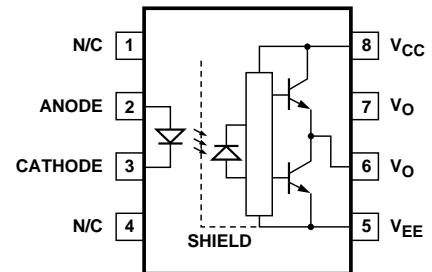
Remarks: The notation “#” is used for existing products, while (new) products launched since 15th July 2001 and lead free option will use “-”

A 0.1 μ F bypass capacitor must be connected between pins 5 and 8.

CAUTION: It is advised that normal static precautions be taken in handling and assembly of this component to prevent damage and/or degradation which may be induced by ESD.

HCPL-T251

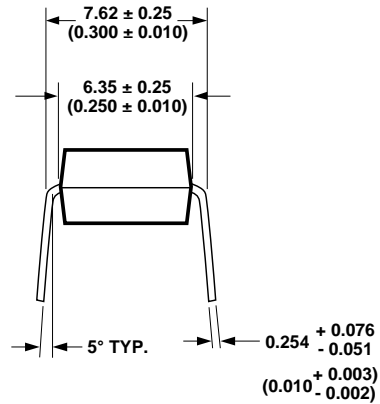
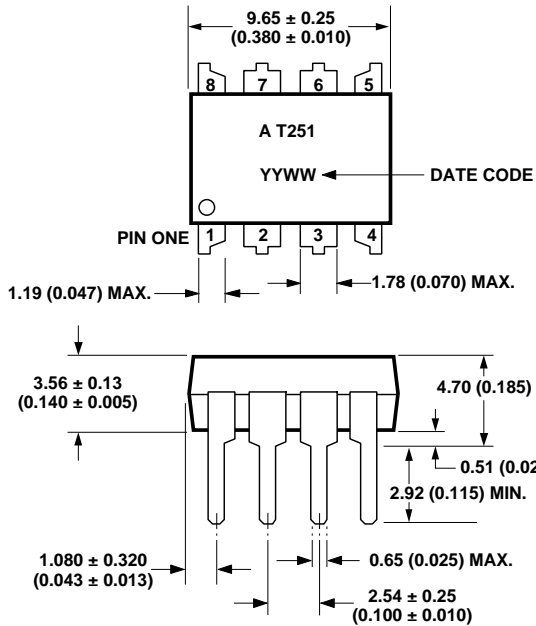
Functional Diagram



Truth Table

LED	V_{out}
OFF	LOW
ON	HIGH

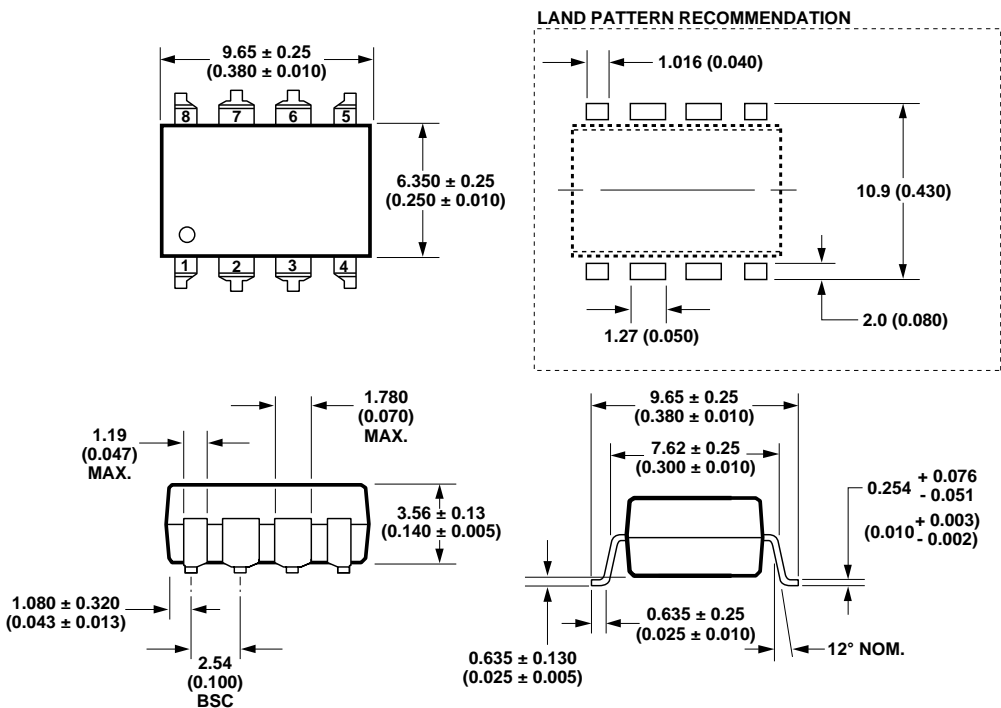
Package Outline Drawings Standard DIP Package



DIMENSIONS IN MILLIMETERS AND (INCHES).

NOTE: FLOATING LEAD PROTRUSION IS 0.25 mm (10 mils) MAX.

Gull Wing Surface Mount Option 300



DIMENSIONS IN MILLIMETERS (INCHES).
LEAD COPLANARITY = 0.10 mm (0.004 INCHES).

NOTE: FLOATING LEAD PROTRUSION IS 0.25 mm (10 mils) MAX.

Regulatory Information

The HCPL-T251 is under approval by the following organizations:

UL

Approval under UL 1577, Component Recognition Program, File E55361.

CSA

Approval under CSA Component Acceptance Notice #5, File CA 88324.

Insulation and Safety Related

Parameter	Symbol	Value	Units	Conditions
Minimum External Air Gap (Clearance)	L(101)	7.1	mm	Measured from input terminals to output terminals, shortest distance through air.
Minimum External Tracking (Creepage)	L(102)	7.4	mm	Measured from input terminals to output terminals, shortest distance path along body.
Minimum Internal Plastic Gap (Internal Clearance)		0.08	mm	Insulation thickness between emitter and detector; also known as distance through insulation
Tracking Resistance (Comparative Tracking Index)	CTI	≥ 175	Volts	DIN IEC 112/VDE 0303 Part 1
Isolation Group		IIIa		Material Group (DIN VDE 0110, 1/89, Table 1)

Absolute Maximum Ratings (Compared with HCPL-3140)

Parameter	Symbol	Units	HCPL-3140		HCPL-T251		Note
			Min.	Max.	Min.	Max.	
Operating Temperature	T_A	°C	-40	100	-20	85	
“High” Peak Output Current	$I_{OH(PEAK)}$	A		0.6		0.4	1
“High” Peak Output Current	$I_{OL(PEAK)}$	A		0.6		0.4	
Storage Temperature	T_S	°C	-55	125	-55	125	
Average Input Current	$I_{F(AVG)}$	mA		25		20	2
Peak Transient Input Current (<1 μs Pulse Width, 300 pps)	$I_{F(TRAN)}$	A		1.0		1.0	
Reverse Input Voltage	V_R	V		5		5	
Supply Voltage	$(V_{CC} - V_{EE})$	V	-0.5	35	-0.5	35	
Output Voltage	V_O	V	0	V_{CC}	0	V_{CC}	
Output Power Dissipation	P_O	mW		250		250	3
Lead Solder Temperature	260°C for 10 sec., 1.6 mm below seating plane						
Solder Reflow Temperature Profile	See Package Outline Drawings section						

Notes:

- Maximum pulse width = 10 μs, maximum duty cycle = 0.2%.
- Derate linearly above 70°C free-air temperature at a rate of 0.3 mA/°C.
- Derate linearly above 70°C free-air temperature at a rate of 4.8 mW/°C.

Recommended Operating Conditions

Parameter	Symbol	Min.	Max.	Units
Power Supply Voltage	$V_{CC} - V_{EE}$	15	30	V
Input Current (ON)	$I_{F(ON)}$	8	12	mA
Input Voltage (OFF)	$V_{F(OFF)}$	0	0.8	V

DC Electrical Specifications (Compared with HCPL-3140)

Over recommended operating conditions ($I_{F(ON)} = 8$ to 12 mA, $V_{F(OFF)} = 0$ to 0.8 V, $V_{CC} = 15$ to 30 V, $V_{EE} = \text{Ground}$) unless otherwise specified.

Parameter	Symbol	Units	HCPL-3140			HCPL-T251			Test Conditions	Note
			Min.	Typ.*	Max.	Min.	Typ.*	Max.		
Input Forward Voltage	V_F	V	1.2	1.5	1.8		1.6	1.8	$I_F = 10$ mA	
Temperature Coefficient of Forward Voltage	$\Delta V_F / \Delta T_A$	mV/°C		-1.6			-2.0		$I_F = 10$ mA	
Input Reverse Current	I_R	μA			10			10	$V_R = 5$ V	
Input Capacitance	C_{IN}	pF		60			45	250	$V_F = 0$ V, $F = 1$ MHz	
High Level Output Current	I_{OH}	A	0.2				0.25		$V_O = V_{CC} - 4$ V	
			0.4	0.5		N.A.		$V_O = V_{CC} - 15$ V		
Low Level Output Current	I_{OL}	A	0.2	0.4		0.1	0.2		$V_O = V_{CC} - 4$ V	
			0.4	0.5		N.A.		$V_O = V_{CC} - 15$ V		
High Level Output Voltage	V_{OH}	V	$V_{CC} - 4$	$V_{CC} - 1.8$		$V_{CC} - 4$	$V_{CC} - 1.8$		$I_O = -100$ mA	
Low Level Output Voltage	V_{OL}	V		0.4	1		0.5		$I_O = 100$ mA	
High Level Supply Current	I_{CCH}	mA		0.7	3		7.5	11	Output Open $I_F = 7$ to 16 mA	
Low Level Supply Current	I_{CCL}	mA		1 - 2	3		8	11	Output Open $V_F = -3.0$ to $+0.8$ V	
Threshold Input Current Low to High	I_{FLH}	mA			6			7	$I_O = 0$ mA, $V_O > 5$ V	
Threshold Input Voltage High to Low	V_{FHL}	V	0.8			0.8				
Supply Voltage	V_{CC}	V	10		30	10		30		
Capacitance (Input-Output)	C_{I-O}	pF		60			60			
Resistance (Input-Output)	R_{I-O}	Ω		10^{12}			10^{12}			

*All typical values at $T_A = 25^\circ\text{C}$ and $V_{CC} - V_{EE} = 3^\circ\text{V}$, unless otherwise noted.

Switching Specifications (AC) (Compared with HCPL-3140)

Over recommended operating conditions ($T_A = -40$ to 100°C , $I_{F(\text{ON})} = 8$ to 12 mA, $V_{F(\text{OFF})} = -3.0$ to 0.8 V, $V_{CC} = 15$ to 30 V, $V_{EE} = \text{Ground}$) unless otherwise specified.

Parameter	Symbol	Units	HCPL-3140 ($-40^\circ\text{C} \sim 100^\circ\text{C}$)			HCPL-T251 ($-20^\circ\text{C} \sim 70^\circ\text{C}$)			Test Conditions	Note	
			Min.	Typ.*	Max.	Min.	Typ.*	Max.			
Propagation Delay Time to High Output Level	t_{PHL}	μs	0.1	0.2	0.7		0.25	1	Rg = 47 Ω Cg = 3 nF, f = 10 kHz, Duty Cycle = 50%		
Propagation Delay Time to Low Output Level	T_{PLH}	μs	0.1	0.3	0.7		0.25	1			
Output Rise Time	t_{R}	ns		50		N.A.					
Output Fall Time	t_{F}	ns		50		N.A.					
Propagation Delay Difference Between Any Two Parts	($t_{\text{PHL}} - t_{\text{PLH}}$) PDD	μs	-0.5		0.5	N.A.		N.A.			4
Output High Level Common Mode Transient Immunity	$ CM_{\text{H}} $	kV/ μs	10			10			$T_A = 25^\circ\text{C}$ $V_{CC} = 30$ V	5	
									HCPL-3140		$I_{\text{F}} = 10$ mA $V_{\text{CM}} = 1000$ V
									HCPL-T251		$I_{\text{F}} = 8$ mA $V_{\text{CM}} = 600$ V
Output Low Level Common Mode Transient Immunity	$ CM_{\text{L}} $	kV/ μs	10			10			$T_A = 25^\circ\text{C}$ $V_{\text{F}} = 0$ V	5	
									HCPL-3140		$V_{\text{CM}} = 1000$ V
									HCPL-T251		$V_{\text{CM}} = 600$ V

*All typical values at $T_A = 25^\circ\text{C}$ and $V_{CC} - V_{EE} = 30$ V, unless otherwise noted.

Notes:

- The difference between t_{PHL} and t_{PLH} between any two HCPL-3140 parts under the same test condition.
- Common mode transient immunity in the high state is the maximum tolerable dV_{CM}/dt of the common mode pulse, V_{CM} , to assure that the output will remain in the high state (i.e., $V_{\text{O}} > 15.0$ V).
- Common mode transient immunity in a low state is the maximum tolerable dV_{CM}/dt of the common mode pulse, V_{CM} , to assure that the output will remain in a low state (i.e., $V_{\text{O}} < 1.0$ V).

www.agilent.com/semiconductors

For product information and a complete list of distributors, please go to our web site.

For technical assistance call:

Americas/Canada: +1 (800) 235-0312 or
(916) 788-6763

Europe: +49 (0) 6441 92460

China: 10800 650 0017

Hong Kong: (+65) 6756 2394

India, Australia, New Zealand: (+65) 6755 1939

Japan: (+81 3) 3335-8152 (Domestic/International), or 0120-61-1280 (Domestic Only)

Korea: (+65) 6755 1989

Singapore, Malaysia, Vietnam, Thailand,
Philippines, Indonesia: (+65) 6755 2044

Taiwan: (+65) 6755 1843

Data subject to change.

Copyright © 2004 Agilent Technologies, Inc.

Obsoletes 5988-2633EN

March 9, 2004

5989-0285EN