

**PLEASE CHECK WWW.MOLEX.COM FOR LATEST PART INFORMATION**

**Part Number:** **0304530900**  
**Status:** **Active**  
**Description:** 2.00mm (.079") Pitch Cable Holder, Vertical, for Ribbon Cable, with Polarization, 9 Circuits

**Documents:**

[3D Model](#) [Product Specification PS-30453-0000 \(PDF\)](#)  
[Drawing \(PDF\)](#) [RoHS Certificate of Compliance \(PDF\)](#)

**General**

Product Family Ribbon Cable / Wire Trap Connectors  
 Series [30453](#)  
 Component Type One Piece  
 Glow-Wire Compliant No  
 Product Name Board-In, Cable Holder

**Physical**

Circuits (Loaded) 9  
 Color - Resin Natural  
 Entry Angle Vertical  
 Lock to Mating Part None  
 Material - Resin Polyester  
 Number of Rows 1  
 PCB Retention Yes  
 PCB Thickness Recommended (in) 0.062 In  
 PCB Thickness Recommended (mm) 1.60 mm  
 Packaging Type Bag  
 Pitch - Mating Interface (in) 0.079 In  
 Pitch - Mating Interface (mm) 2.00 mm  
 Polarized to Mating Part N/A  
 Polarized to PCB Yes  
 Stackable No  
 Surface Mount Compatible (SMC) No  
 Temperature Range - Operating -40°C to +85°C  
 Wire Insulation Diameter 1.20mm (.047") max.  
 Wire Size AWG 26  
 Wire/Cable Type Ribbon Cable

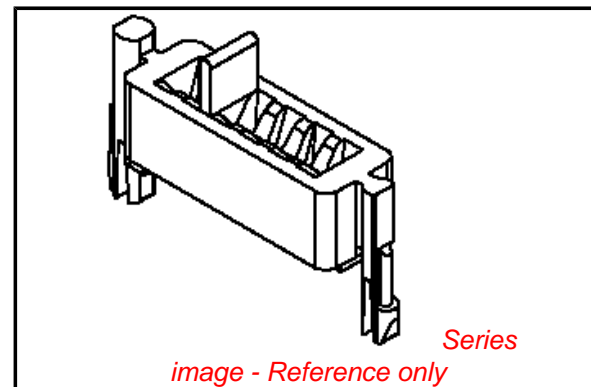
**Electrical**

Current - Maximum per Contact 2.25A  
 Voltage - Maximum 250V

**Material Info**

**Reference - Drawing Numbers**

Product Specification PS-30453-0000  
 Sales Drawing SD-30453-\*\*\*\*



**EU RoHS**

**ELV and RoHS  
 Compliant  
 REACH SVHC  
 Not Reviewed  
 Halogen-Free  
 Status**

**China RoHS**



**Need more information on product  
 environmental compliance?**

Email [productcompliance@molex.com](mailto:productcompliance@molex.com)  
 For a multiple part number RoHS Certificate of Compliance, [click here](#)

Please visit the [Contact Us](#) section for any non-product compliance questions.

**Search Parts in this Series**

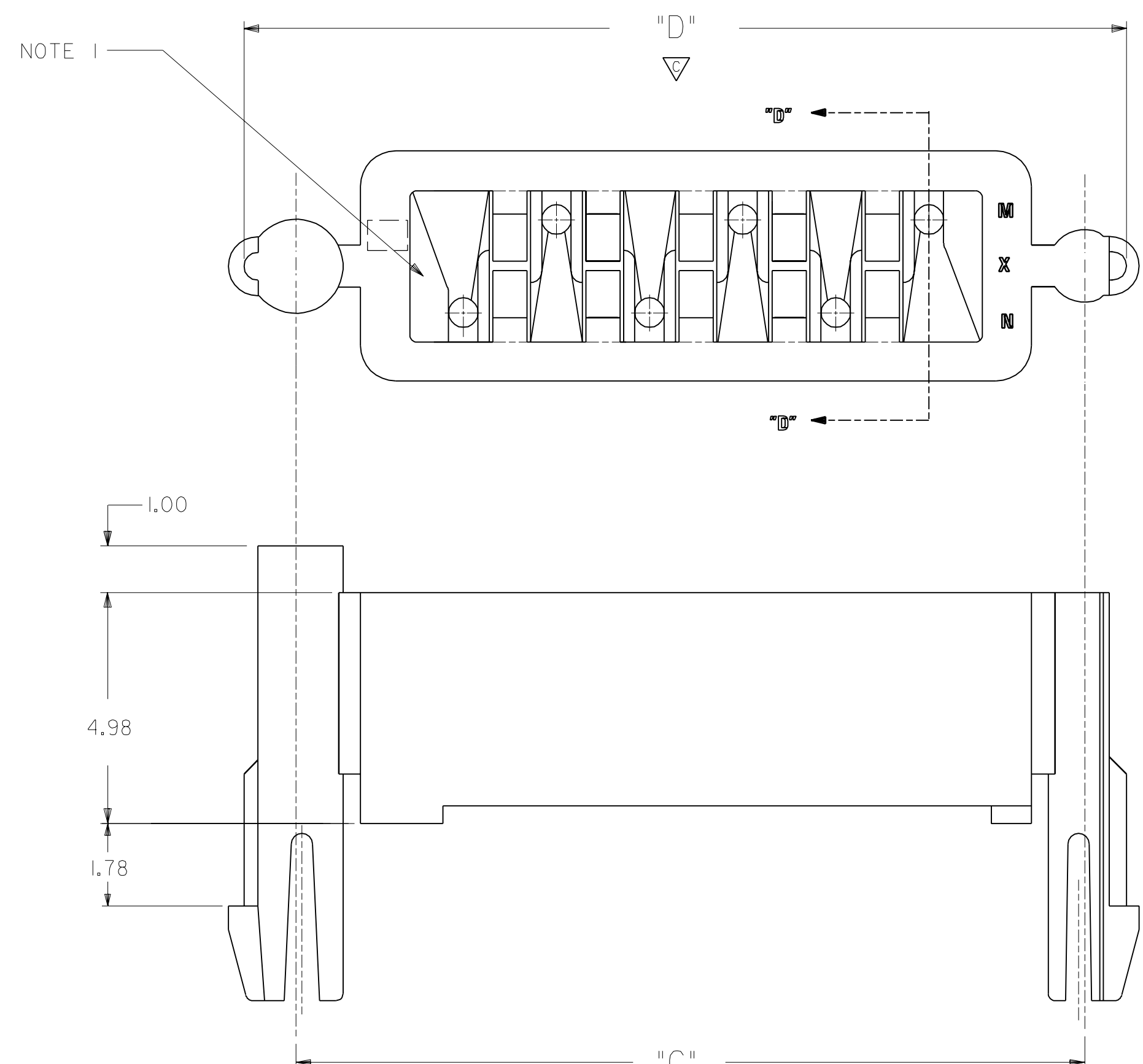
[30453Series](#)

**Mates With**

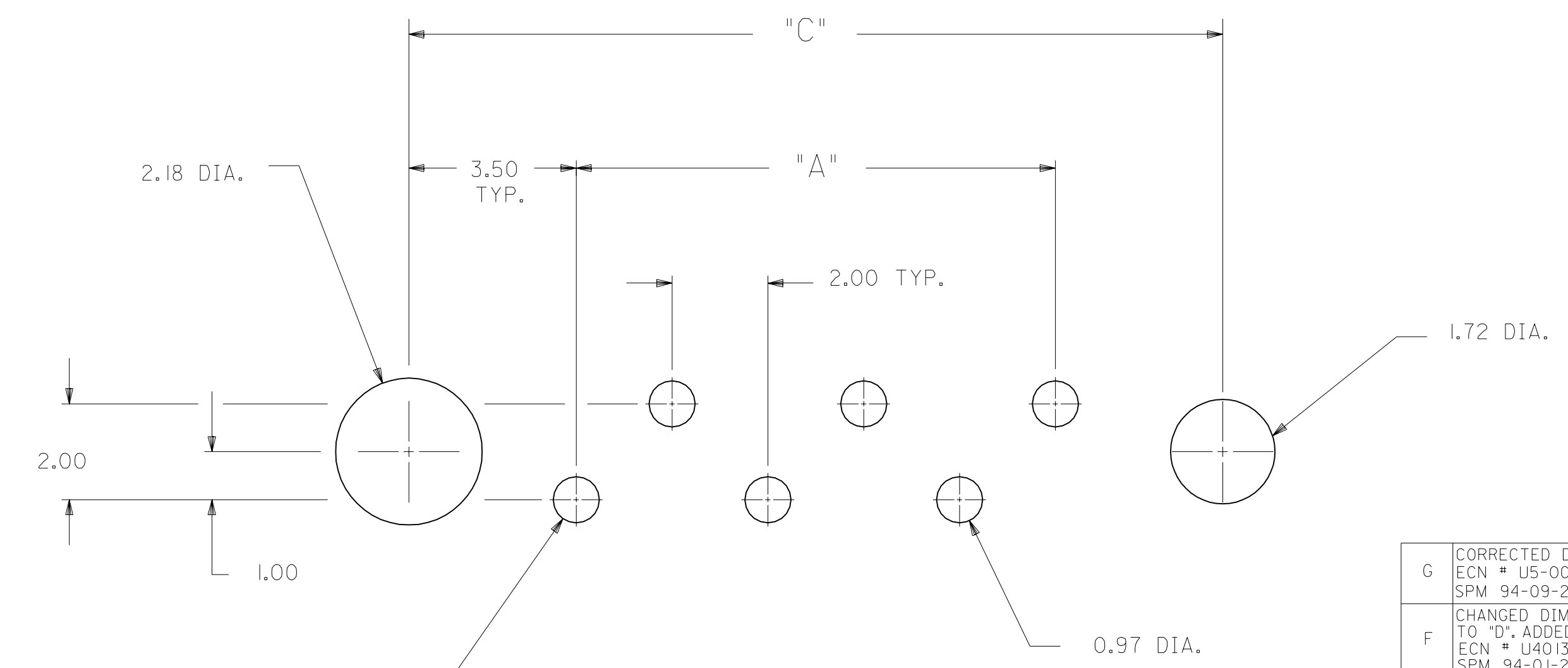
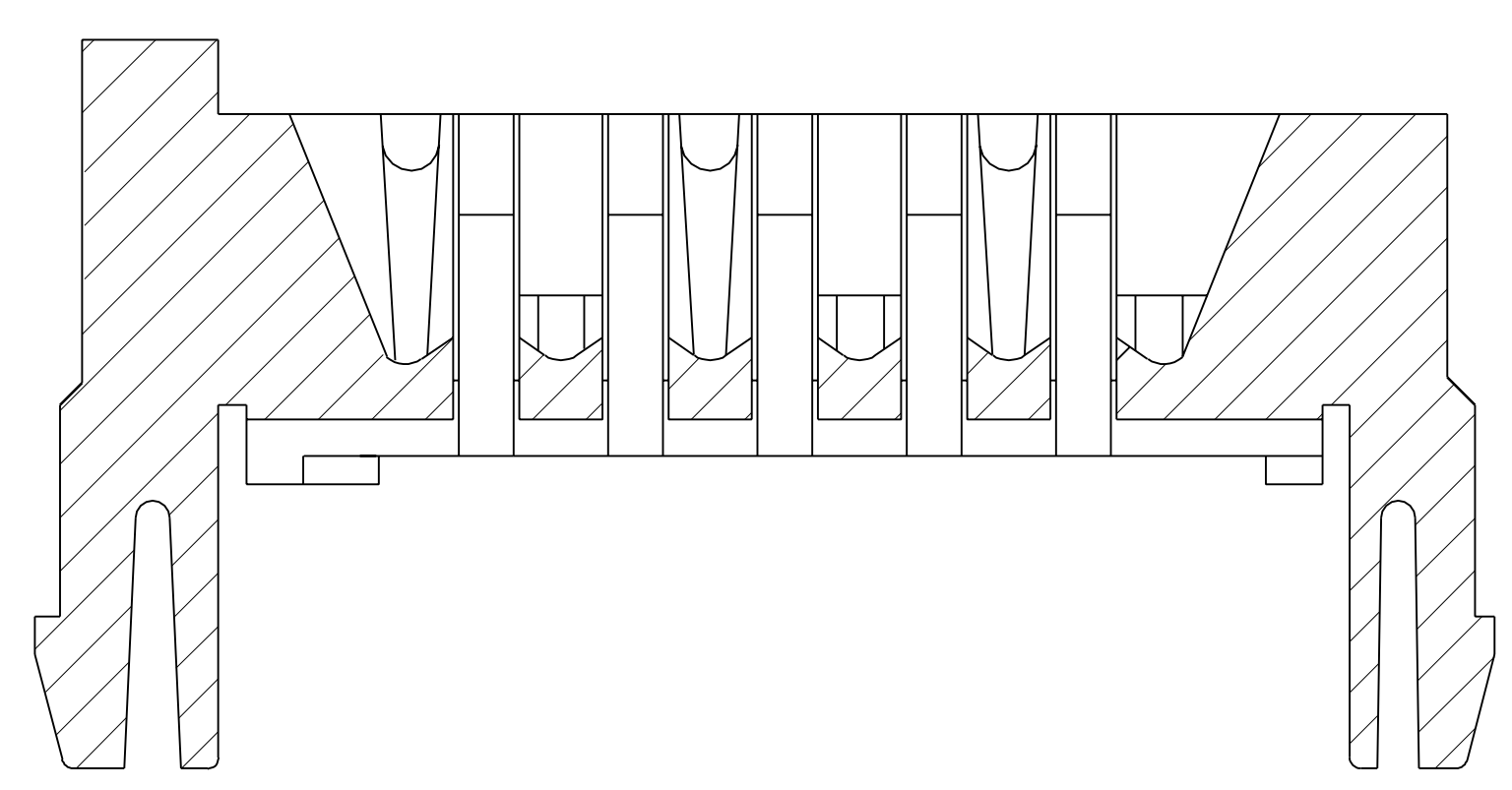
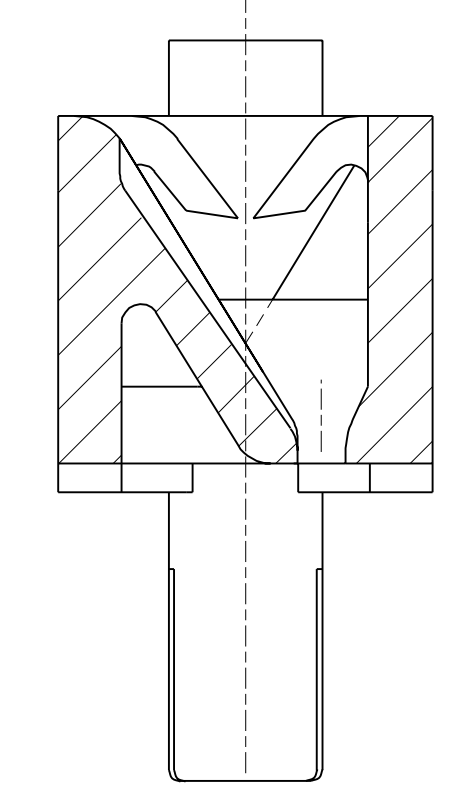
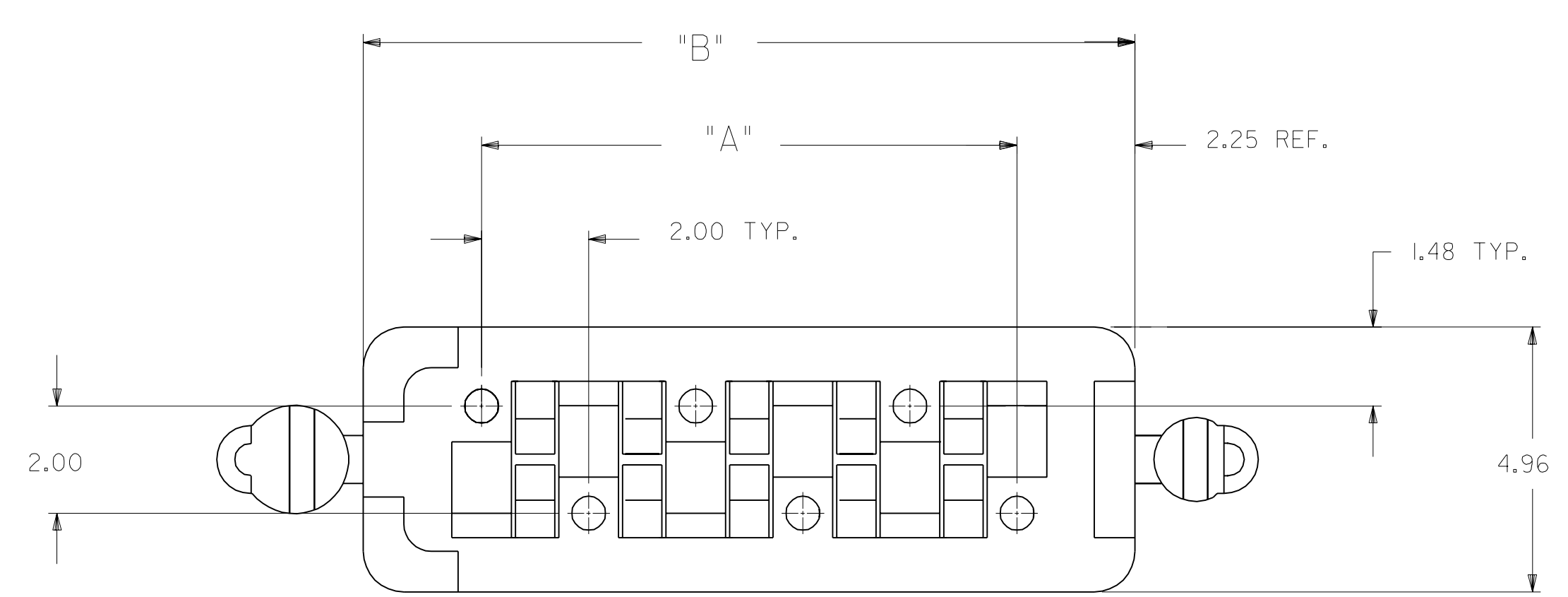
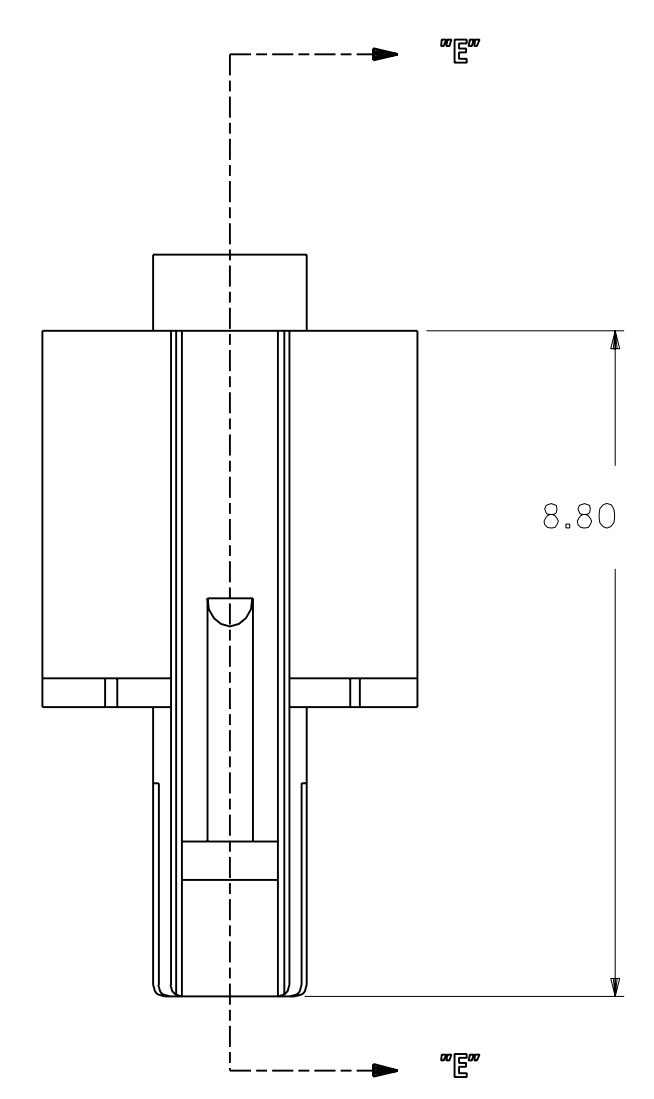
N/A

**Use With**

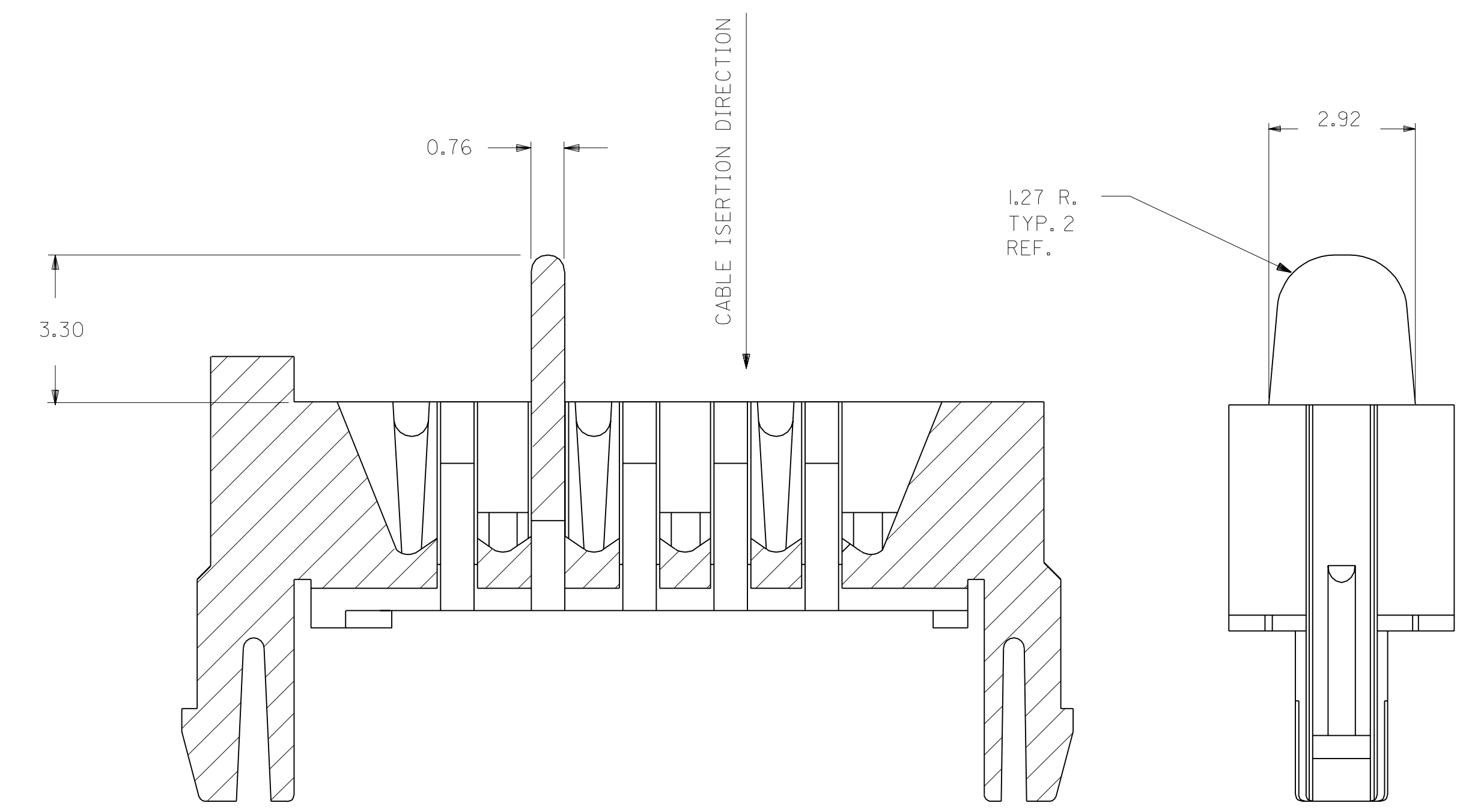
Topcoated or solid wire ribbon cable



- NOTES:
1. FLASH ON HOLE PERIMETER TO BE .08 MAX.
  2. THE 'X' OR BLANK PRECEEDING THE ITEM NO. INDICATES IT'S NON-AVAILABILITY OR AVAILABILITY, RESPECTIVELY.
  3. PRODUCT SPECIFICATION 30452-0000 APPLIES.



RECOMMENDED P.C. BOARD LAYOUT  
BOARD THICKNESS 1.57  
BOARD TOLERANCE ± .05



OPTIONAL POLARIZATION FEATURE-  
LOCATED BETWEEN CIRCUITS 2 & 3  
(SEE CHART SHT. 2)

MATERIAL: POLYESTER, VALOX 457 7.5% GLASS FILLED  
POLYESTER OR EQUIVALENT  
COLOR : WHITE

|    |  |
|----|--|
| G  | CORRECTED DIM. 'D'<br>ECN # U5-0007<br>SPM 94-09-23  |
| F  | CHANGED DIM. 'C'+2.14"<br>TO 'D'. ADDED NOTE 3<br>ECN # U40133<br>SPM 94-01-28   |
| E  | ADDED CRITICAL DIM.<br>CORRECTED PEG<br>PICTORIALLY<br>ECN # U31550<br>SPM 93-10-29  |
| D  | UPDATED PEG<br>GEOMETRY<br>ECO # U3-0827<br>SPM 93-05-28   |
| C  | CHANGED DIM. FROM:<br>2.30 TO: 3.30<br>ECO # U3-0647<br>SPM 93-04-27   |
| B  | DELETED 'C'<br>ON PLAN VIEW<br>DELETED 1.25 REF<br>DELETED REF'S<br>ECO # U3-0397<br>SPM 93-03-16  |
| A  | ECO NO. U21431<br>ADDED DIM. C +<br>2.14 MAX.; ADDED<br>NOTE 2 COL. TO<br>CHART; ITEM NO.<br>WAS ENG. NO.;<br>REV. DELCO P/N'S<br>8.2 REF. WAS 8.2<br>2.3 REF. WAS 2.3<br>1.0 REF. WAS 1.0<br>4.98 REF. WAS 4.98<br>1.78 REF. WAS 1.78<br>1.27 REF. WAS 1.27<br>2.92 REF. WAS 2.92<br>ADDED NOTE 2; REL<br>TO PROD. DF 9/22/92 |
| 10 | ADDED 1.00 HIGH<br>POST DF 6/29/92   |
| 9  | UPDATED DWG<br>LEG 05-27-92  |
| 8  | CHANGED MATERIAL<br>AJP/LEG 2/24/92  |
| 7  | REVISED BOARD<br>LOCKS<br>LEG 02-05-92   |
| 6  | MAT'L WAS NYLON<br>ADD OPTIONAL<br>POLARIZATION<br>FEATURE<br>ECR. #U12164<br>R.J.G. 9/1/11/7  |
| 5  | REV. LEAD-IN<br>ON END CKTS.<br>ECR. #U1862<br>R.J.G. 9/1/10   |
| 4  | ADD MATERIAL NOTE<br>REV. P.C.B HOLE<br>SIZE AND BOARD<br>LOCK SIZE<br>ECR. #U1150<br>R.J.G. 9/1/6/26  |
| 3  | ADD 1.25 REF.<br>AND 2.25 REF.<br>R.J.G. 9/1/4/10  |
| 2  | REV. PEGS<br>ECR. #U10729<br>R.J.G. 9/1/4/2  |
| 1  | WAS 4MM HIGH<br>R.J.G. 9/1/3/13  |

|   |           |  |           |                           |        |
|---|-----------|--|-----------|---------------------------|--------|
| DIMENSIONS SHOWN (METRIC) INCH                        |           | ▽=2 ▼=0                                |           | REVISE ONLY ON CAD SYSTEM |        |
| UNLESS OTHERWISE SPECIFIED TOLERANCES: ANGULAR ± 1/2° |           |  |           |                           |        |
| INCH  |           | METRIC                                 |           |                           |        |
| 3 PLACE   | ± .005    | ---                                    | ---       |                           |        |
| 2 PLACE   | ± .01     | ± .13                                  | ---       |                           |        |
| 1 PLACE   | ---       | ± .25                                  | ---       |                           |        |
| DRAWING INFORMATION                                   |           |  |           |                           |        |
| DRWG. NO.   | FILE NAME | DATE                                   | SHEET NO. | DATE                      | DATE   |
| SD-30453-***  | S30453    | 9/1/92                                 | 1 OF 2    | 9/1/92                    | 9/1/92 |
| SEE CHART   |           | DIV. SIZE                              |           |                           |        |
| MATERIAL  |           | POLYESTER, VALOX 457 7.5% GLASS FILLED |           |                           |        |
| COLOR   |           | WHITE                                  |           |                           |        |

| NOTE 2 | ITEM NO.    | CKT. # | DIM. "A" | DIM. "B" | DIM. "C" | DIM. "D" | POLARIZATION  | NO. OF CABLE RET. FINGERS |
|--------|-------------|--------|----------|----------|----------|----------|---------------|---------------------------|
|        | 304-53-0400 | 4      | 6.00     | 10.50    | 13.00    | 14.90    | NOT AVAILABLE | 3                         |
| X      | 304-53-0500 | 5      | 8.00     | 12.50    | 15.00    | 16.90    | YES           | 4                         |
|        | 304-53-0600 | 6      | 10.00    | 14.50    | 17.00    | 18.90    | YES           | 5                         |
| X      | 304-53-0700 | 7      | 12.00    | 16.50    | 19.00    | 20.90    | YES           | 6                         |
|        | 304-53-0800 | 8      | 14.00    | 18.50    | 21.00    | 22.90    | YES           | 7                         |
|        | 304-53-0900 | 9      | 16.00    | 20.50    | 23.00    | 24.90    | YES           | 8                         |
|        | 304-53-1000 | 10     | 18.00    | 22.50    | 25.00    | 26.90    | YES           | 9                         |
|        | 304-53-1100 | 11     | 20.00    | 24.50    | 27.00    | 28.90    | YES           | 10                        |
|        | 304-53-1200 | 12     | 22.00    | 26.50    | 29.00    | 30.90    | YES           | 10 5 AT EACH END          |
| X      | 304-53-1300 | 13     | 24.00    | 28.50    | 31.00    | 32.90    | YES           | 10 5 AT EACH END          |
| X      | 304-53-1400 | 14     | 26.00    | 30.50    | 33.00    | 34.90    | YES           | 10 5 AT EACH END          |
| X      | 304-53-1500 | 15     | 28.00    | 32.50    | 35.00    | 36.90    | YES           | 10 5 AT EACH END          |
| X      | 304-53-1600 | 16     | 30.00    | 34.50    | 37.00    | 38.90    | YES           | 10 5 AT EACH END          |
| X      | 304-53-1700 | 17     | 32.00    | 36.50    | 39.00    | 40.90    | YES           | 10 5 AT EACH END          |
| X      | 304-53-1800 | 18     | 34.00    | 38.50    | 41.00    | 42.90    | YES           | 10 5 AT EACH END          |
|        | 304-53-1900 | 19     | 36.00    | 40.50    | 43.00    | 44.90    | YES           | 10 5 AT EACH END          |
| X      | 304-53-2000 | 20     | 38.00    | 42.50    | 45.00    | 46.90    | YES           | 10 5 AT EACH END          |
| X      | 304-53-2100 | 21     | 40.00    | 44.50    | 47.00    | 48.90    | YES           | 10 5 AT EACH END          |

|    |             |
|----|-------------|
| G  | SEE SHEET I |
| F  | SEE SHEET I |
| E  | SEE SHEET I |
| D  | SEE SHEET I |
| C  | SEE SHEET I |
| B  | SEE SHEET I |
| A  | SEE SHEET I |
| 10 | SEE SHEET I |
| 9  | SEE SHEET I |
| 8  | SEE SHEET I |

|   |               |                                   |   |                           |
|---|---------------|-----------------------------------|---|---------------------------|
| DIMENSIONS SHOWN (METRIC) INCH                        |               | ▽ = 0                             | ▼ = 0   | REVISE ONLY ON CAD SYSTEM |
| UNLESS OTHERWISE SPECIFIED TOLERANCES: ANGULAR ± 1/2° |               | TITLE                             |   |                           |
| CABLE HOLDER<br>2.00 PITCH                            |               | MFG. SH. REV. LTR. REVISIONS      |   |                           |
| INCH METRIC   |               | MOLEX INCORPORATED SHEET NO. DATE |   |                           |
| 3 PLACE ± .005 ---                                    | ---           | U.S.A. 2 9/11/7                   |   |                           |
| 2 PLACE ± .01 ± 0.13                                  | ---           | PART NO. 60532                    |   |                           |
| 1 PLACE --- ± 0.25                                    | ---           | DRAWG. NO. SD-30453-****          |   |                           |
| DRAFT WHERE APPLICABLE MUST REMAIN WITHIN DIMENSIONS  |               | SEE CHART                         |   |                           |
| DRWG. BY RJG  | CHK'D. BY LEG | FILE NAME                         | THIS DRAWING CONTAINS INFORMATION THAT IS PROPRIETARY TO MOLEX INC. AND SHOULD NOT BE USED WITHOUT WRITTEN PERMISSION |                           |
| APP'D. BY SC  | SCALE 10:1    | S30453X2                          | DIV. AU   | SIZE D                    |