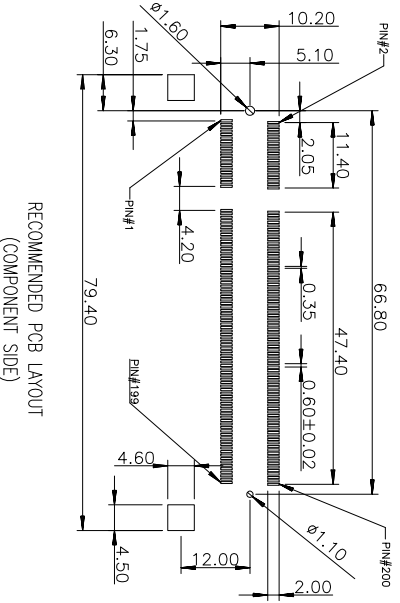
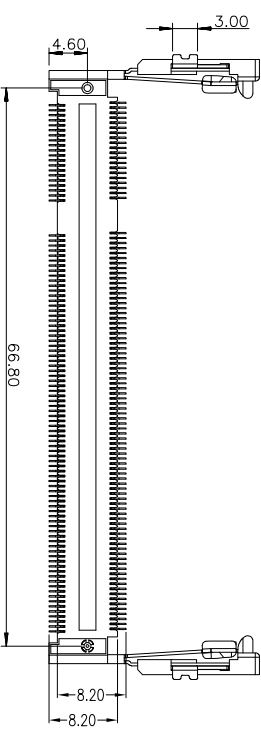
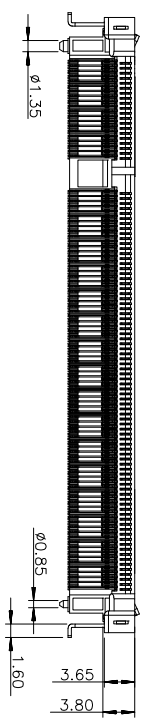
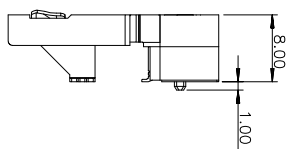
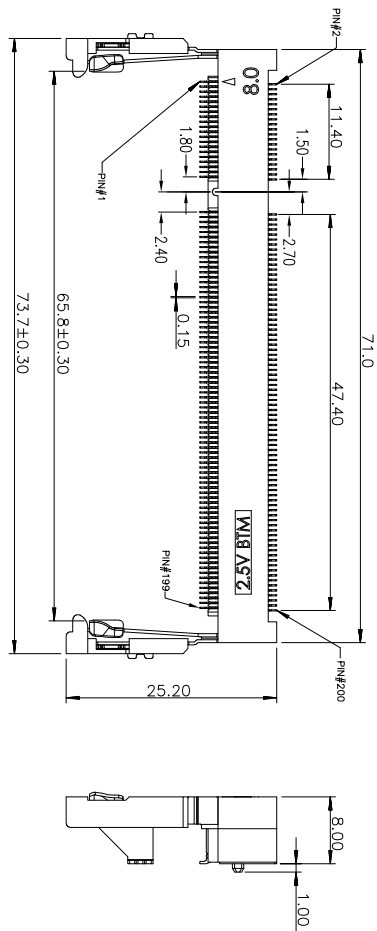


Rev	AWO #	Description	Date	Appr
-		RELEASED	4/28/11	

APPROVED: _____
 DATE: _____ TITLE: _____



SPECIFICATIONS:

- Material: Body: Hi-temp thermoplastic, rated UL 94V-0
- Contacts: Bronze, Gold plated.
- Electrical: Operating voltage: 30 VAC max
- Current rating: 1 Amps max
- Contact resistance: 30 mohms max.
- Insulation resistance: 1000 mohms min.
- Dielectric withstanding voltage: 500 VAC for 1 minute
- Temperature Rating: Operating temperature: -55°C to +105°C
- Environmental: Lead free, RoHS compliant.
- Recommended soldering temp: 260°C for 5 sec



UNLESS OTHERWISE SPECIFIED
 ALL DIMENSIONS ARE MM
 TOLERANCES: EXCEPT AS NOTED
 DIMENSIONS ANGLES
 .X ± .38
 .XX ± .25
 .XXX ± .20

ADAM TECH
 909 Railway Avenue, Union, NJ 07083
 Phone: 908-687-5000 Fax: 908-687-5710

APPROVALS	DATE	TITLE
DRAWN DY	4/28/11	SO DIMM SOCKET, 200 PIN, SMT
CHECKED		2.5V DDR RAM, 8MM HEIGHT, REVERSED TYPE
APPROVED		

SIZE	PART NO.	SCALE	SHEET 1 OF 2
X	SOD-200-S-3-8-0-R	NTS	2