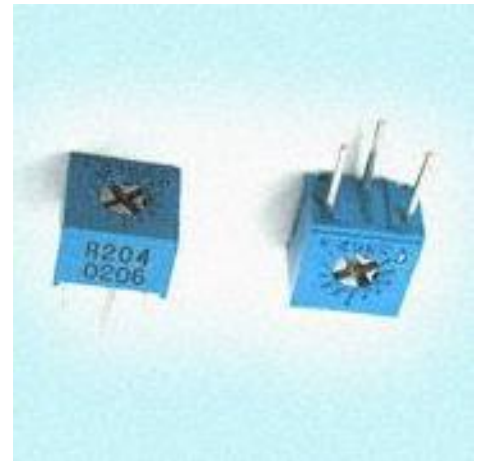


Vatronics Technologies Limited

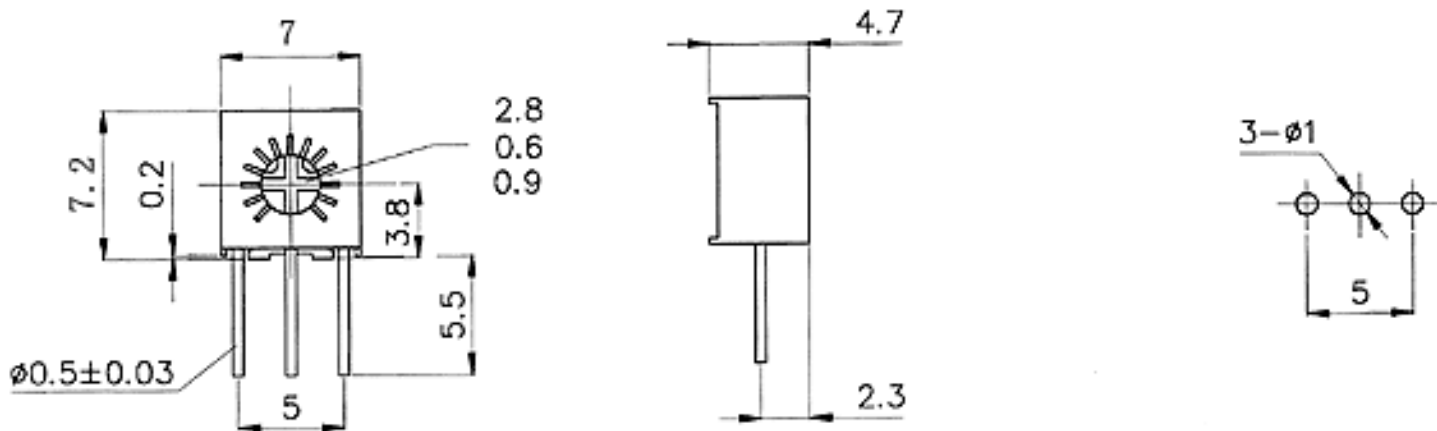
3362 6mm Square Single-Turn Trimmer Potentiometers

Vatronics makes 3362M,3362P,3362R,3362U,3362W,3362X,
Electrical Characteristics
Range of resistance: 10Ω — $2M\Omega$ Resistance tolerance: $\pm 10\%$
Terminal resistance $\leq 2\Omega$ or $1\%R$ Contact resistance variation:
 $CRV \leq 3\%R$ or 3Ω Insulation resistance $R_e \geq 1G\Omega$
Withstand voltage -500Vdc
Effective electrical travel: $210 \pm 10^\circ$ Rated
power: $0.5W \cdot 70$



Vatronics Temperature range: $-55 \sim +125$
TCR: $\pm 100ppm/^\circ$; Collision $390m/s^2 \cdot 4000$ cycles Vibration 10-2000Hz
 $0.75mm$, $6h \Delta R \leq \pm (3\%R + 0.1\Omega)$
Load life at $70 \cdot 0.5W$, $1000H \Delta R \leq \pm (3\%R + 0.1\Omega)$
Mechanical endurance
 200 cycles $\Delta R \leq 3\%R \cdot CRV \leq 3\%R$ Starting torque ≤ 36 mNm

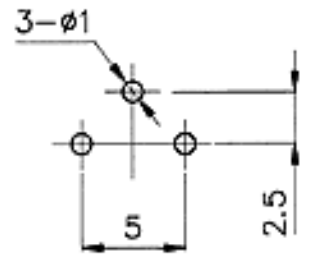
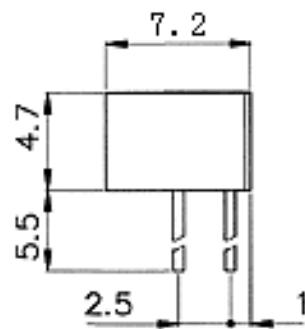
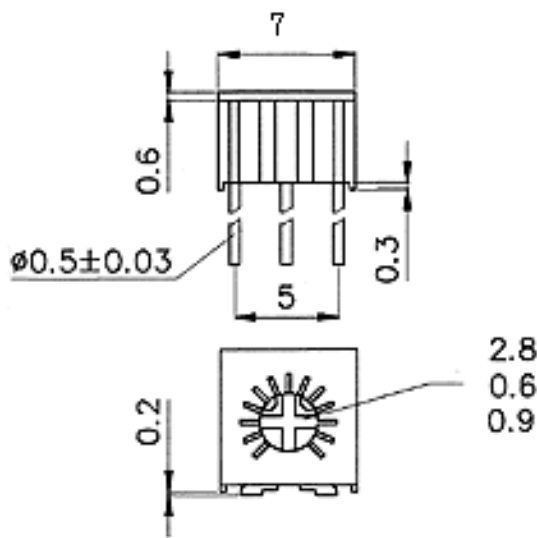
Vatronics Mark: Resistance code, resistance
tolerance ($\pm 10\%$ no indication), lot No.
Standard package 50pcs/tube



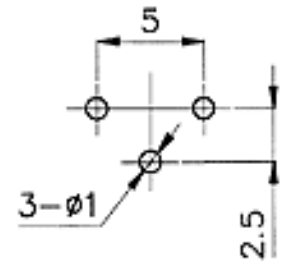
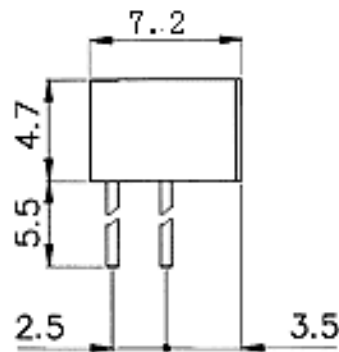
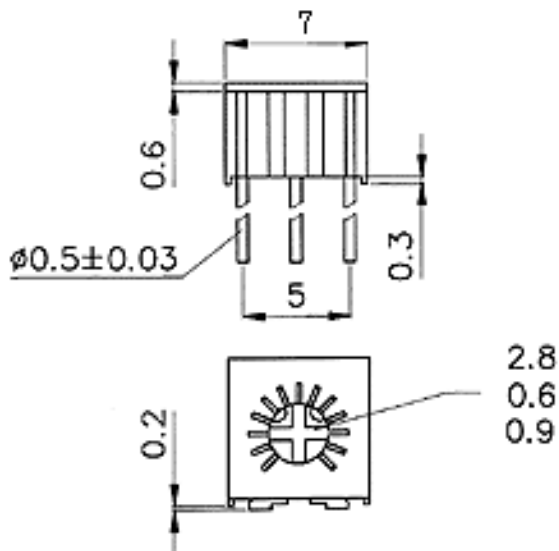
Vatronics 3362M DRAWING

Vatronics Technologies Limited

<http://www.vatronics.com> sales@vatronics.com



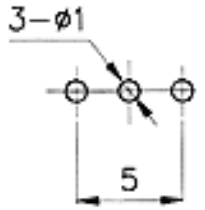
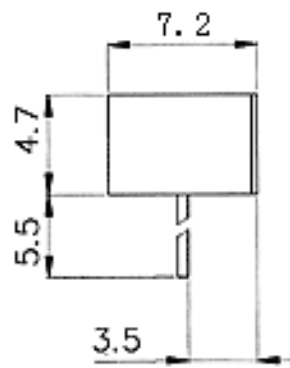
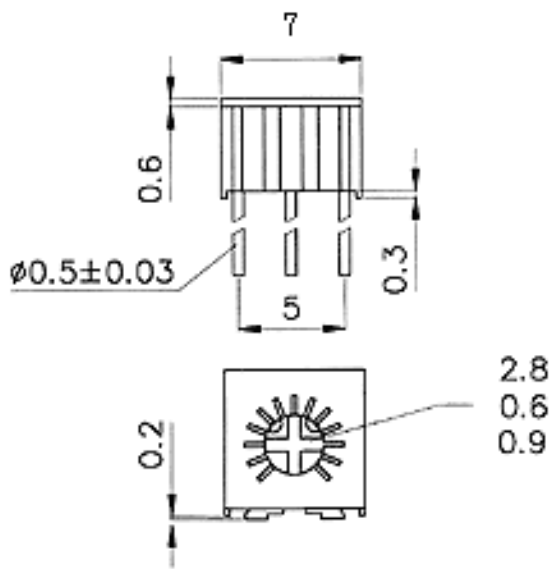
Vatronics 3362P DRAWING



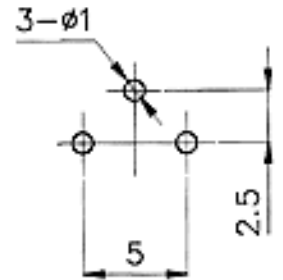
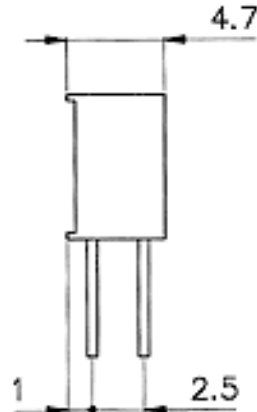
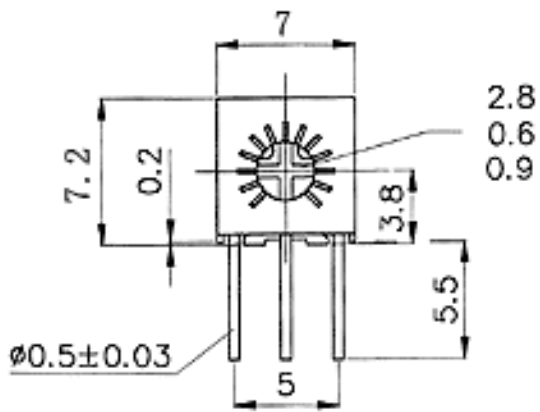
Vatronics 3362R DRAWING

Vatronics Technologies Limited

<http://www.vatronics.com> sales@vatronics.com



Vatronics 3362U DRAWING



Vatronics 3362W DRAWING

Vatronics Technologies Limited

<http://www.vatronics.com> sales@vatronics.com