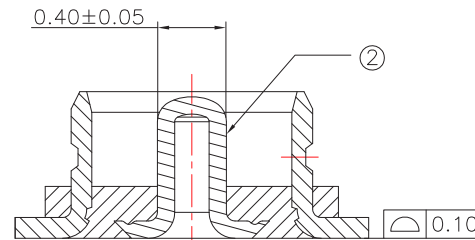
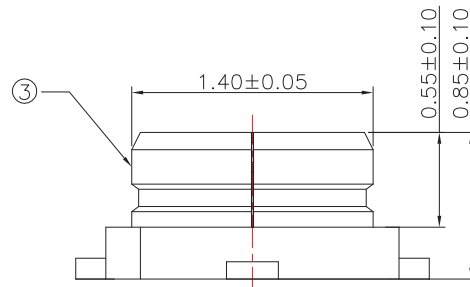


Recommended PCB Layout  
(General Tolerance Is ±0.05)



Section: A-A

NOTE:

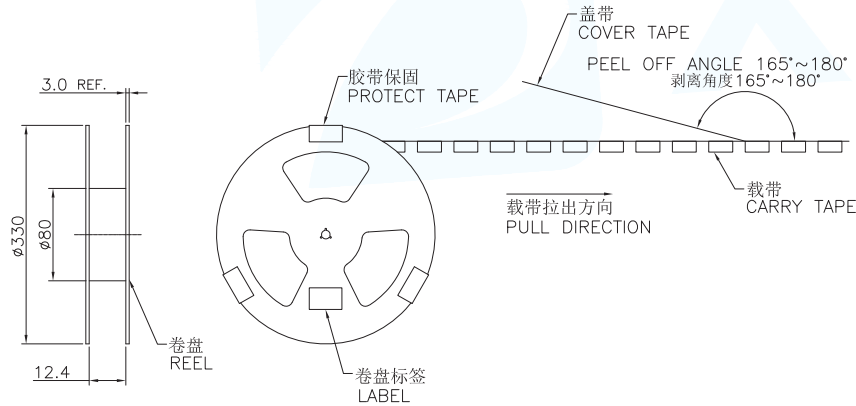
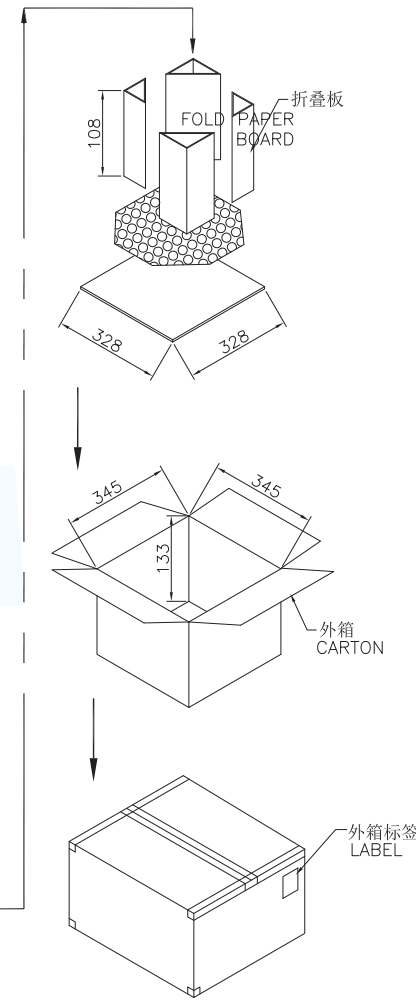
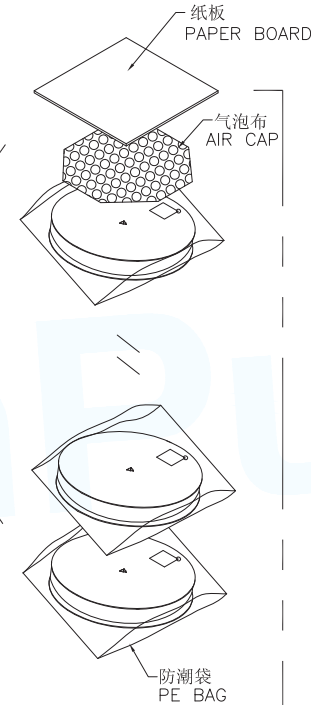
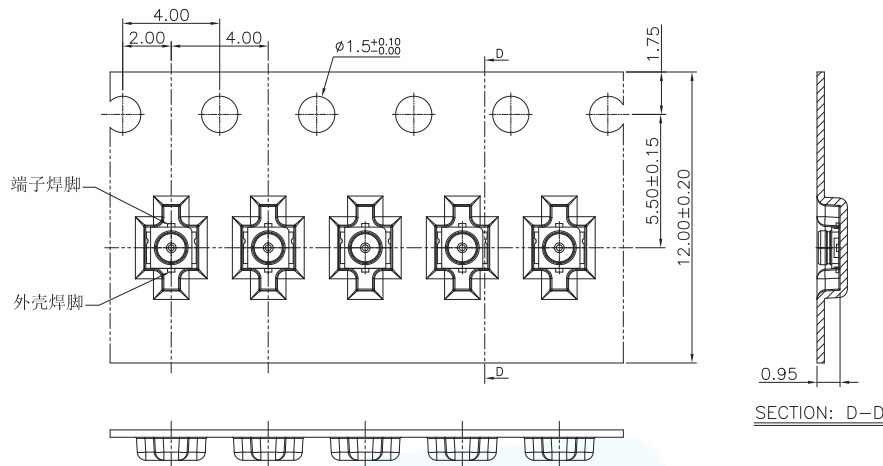
1. MATERIAL:

- ① 1.1. HOUSING: THERMOPLASTIC, COLOR: BLACK, UL 94V-0;
- ② 1.2. CONTACT: COPPER ALLOY, T=0.10mm;
- ③ 1.3. SHELL: COPPER ALLOY, T=0.12mm.

2. FINISH:

- 2.1. CONTACT: GOLD FLASH PLATED ON MATING AREA, GOLD FLASH ON SOLDER TAILS, NICKEL UNDER PLATED OVER OF THE ALL;
- 2.2. SHELL: GOLD FLASH ON THE ALL, NICKEL PLATED UNDER.

MANUFACTURE DWG		 东莞市讯普电子科技有限公司 DongGuan XunPu Electronics Co., Ltd			
UNLESS OTHERWISE SPECIFIED TOLERANCES			TITLE: ULTRA SMALL SURFACE MOUNT COAXIAL CONN. USS RF SERIES		
			PAR	SP-RF-003	
			DWN	KING	2013.06.15
			CHKD		
DECIMALS:	ANGLES:	APVD			
X.: ±0.50	X': ±2°	SCALE 1:1	UNIT: MM		
X.X: ±0.10	X.X': ±1°	SIZE: A4	SHEET: 1F1		
X.XX: ±0.05		CUSTOMER COPY	REV: A		



1: 包装内容  
INFORMATIONS OF THE PACKING

品名 (TITLE)	料号 (P/N)	一卷包装数量 Q'TY/REEL	一箱包装数量 Q'TY/CARTON
RF 1.5 HRE CCONNECTOR	SP-RF-003	5000PCS	20000PCS

MANUFACTURE DWG		东莞市讯普电子科技有限公司 DongGuan XunPu Electronics Co.,Ltd			
UNLESS OTHERWISE SPECIFIED TOLERANCES			TITLE:ULTRA SMALL SURFACE MOUNT COAXIAL CONN. USS RF SERIES		
			PAR	SP-RF-003	
			DWN	KING	2013.06.15
			CHKD		
DECIMALS:	ANGLES:				
X.:±0.50	X'.:±2'				
X.X:±0.10	X.X':±1'				
X.XX:±0.05					
CUSTOMER COPY		SCALE:1:1	UNIT:MM		
		SIZE:A4	SHEET:1F1	REV:A	