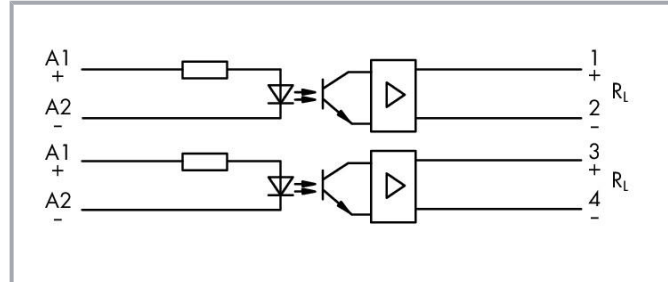
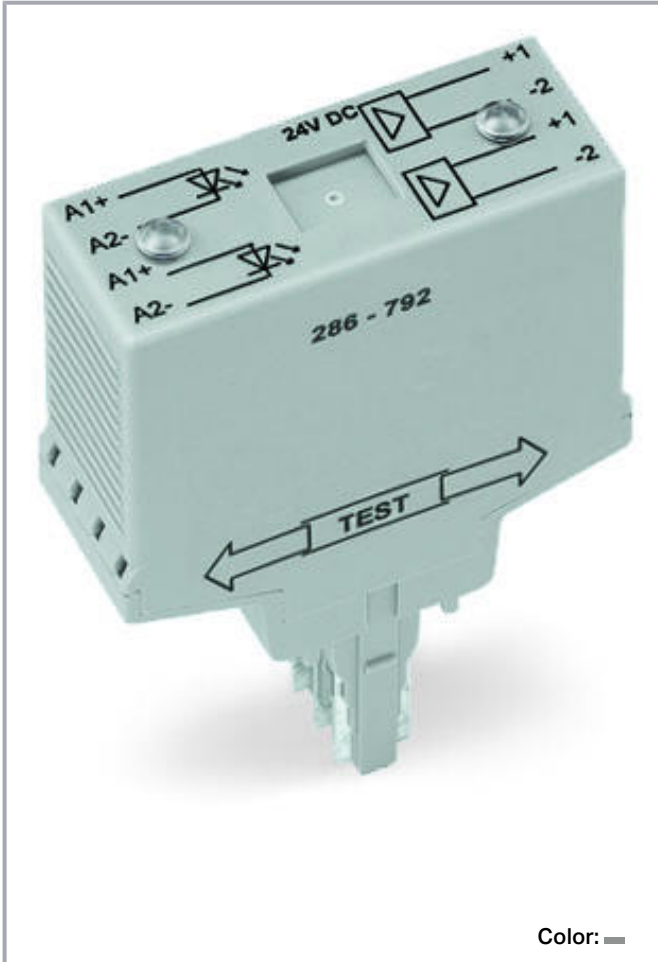


Data sheet | Item number: 286-792

Optocoupler module; Red status indicator; gray

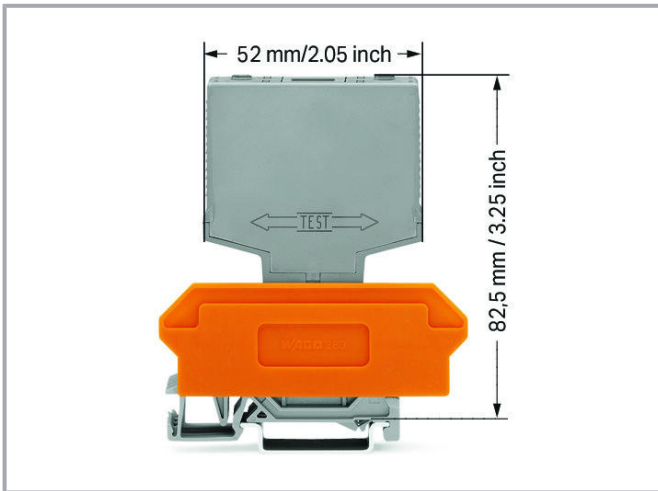
www.wago.com/286-792



Subject to changes. Please also observe the further product documentation!

WAGO GmbH & Co. KG
Hansastr. 27
32423 Minden
Phone: +49571 887-0 | Fax: +49571 887-169
Email: info.de@wago.com | Web: www.wago.com

Do you have any questions about our products?
We are always happy to take your call at +49 (571) 887-44222.



Data

Technical data

Control circuit

| | |
|----------------------------------|-----------------|
| Nominal input voltage U_N | DC 24 V |
| Input voltage range (high level) | DC 7.5 ... 30 V |
| Nominal input current at U_N | 15 mA |

Load circuit

| | |
|----------------------------------|----------------------------|
| Circuit type | 2-way 2-wire connection |
| Limiting continuous current | 0.25 A |
| Nominal output voltage | DC 24 V |
| Output voltage range | DC 20 ... 30 V |
| Voltage drop at output (max.) | \leq DC 2.5 V |
| Leakage current at rated voltage | \leq 3 μ A |
| Turn-on time | \leq 60 μ s |
| Turn-off time | \leq 120 μ s |
| Switching frequency | \leq 1.5 kHz |

Safety and protection

| | |
|---|-----------|
| Pollution degree | 2 |
| Dielectric strength, control/load circuit (AC, 1 min) | 2.5 kVrms |

Subject to changes. Please also observe the further product documentation!



| | |
|-----------------|------|
| Protection type | IP20 |
|-----------------|------|

Physical data

| | |
|------------------------------------|---------------------|
| Width | 20 mm / 0.787 inch |
| Height from upper-edge of DIN-rail | 82.5 mm / 3.25 inch |
| Depth | 52 mm / 2.047 inch |

Mechanical data

| | |
|---------------|---|
| Mounting type | Pluggable module for receptacle terminal blocks |
|---------------|---|

Material data

| | |
|-----------|----------|
| Color | gray |
| Fire load | 0.394 MJ |
| Weight | 23.4 g |

Environmental requirements

| | |
|---|--|
| Surrounding air temperature (operation at U_N) | -25 ... 40 °C |
| Surrounding air temperature (storage) | -25 ... 40 °C |
| Processing temperature | -25 ... +50 °C |
| Relative humidity | 5 ... 95 % (no condensation permissible) |
| Operating altitude (max.) | 2000 m |

Standards and specifications

| | |
|--------------------------|------------|
| Standards/Specifications | EN 60664-1 |
|--------------------------|------------|

Commercial data

| | |
|-----------------------|---------------------------|
| Product Group | 6 (Interface Electronics) |
| PU (SPU) | 10 (1) Stück |
| Packaging type | box |
| Country of origin | DE |
| GTIN | 4045454860448 |
| Customs tariff number | 85365005000 |

Optional accessories**Marking accessories**

Subject to changes. Please also observe the further product documentation!

Marker



Item no.: 209-701

WSB marking card; as card; not stretchable; plain; snap-on type; white

www.wago.com/209-701

Terminal blocks

Terminal block for pluggable modules



Item no.: 280-628

Terminal block for pluggable modules; 8-pole; with 4-conductor terminal blocks; with orange separator; www.wago.com/280-628 for DIN-rail 35 x 15 and 35 x 7.5; 2.5 mm²; CAGE CLAMP®; 2,50 mm²; gray



Item no.: 280-638

Terminal block for pluggable modules; 8-pole; with 2-conductor terminal blocks; with orange separator; www.wago.com/280-638 for DIN-rail 35 x 15 and 35 x 7.5; 2.5 mm²; CAGE CLAMP®; 2,50 mm²; gray



Item no.: 280-764

Terminal block for pluggable modules; 8-pole; with 4-conductor terminal blocks; with marker carrier; www.wago.com/280-764 with orange separator; for DIN-rail 35 x 15 and 35 x 7.5; 2.5 mm²; CAGE CLAMP®; 2,50 mm²; gray

Downloads

Documentation

Bid Text

| | | | |
|-------------------------|--------------|-----------------|----------|
| 286-792 docx - Datei | 2019. 2. 20. | docx 15.6 kB | Download |
| 286-792 X81 - Datei | 2019. 2. 19. | xml 3.8 kB | Download |

Instruction Leaflet

| | | | |
|--|--|---------------|----------|
| | | pdf 1.3 MB | Download |
|--|--|---------------|----------|

Additional Information

| | | | |
|--|---------|-----------------|----------|
| Disposal; Electrical and electronic equipment, Packaging | V 1.0.0 | pdf 265.8 kB | Download |
|--|---------|-----------------|----------|

CAD/CAE-Data

CAE data

| | | | |
|------------------------|--|-----|----------|
| WSCAD Universe 286-792 | | URL | Download |
|------------------------|--|-----|----------|

Environmental Product Compliance

Subject to changes. Please also observe the further product documentation!

WAGO GmbH & Co. KG
 Hansastr. 27
 32423 Minden
 Phone: +49571 887-0 | Fax: +49571 887-169
 Email: info.de@wago.com | Web: www.wago.com

Do you have any questions about our products?
 We are always happy to take your call at +49 (571) 887-44222.

Compliance Search

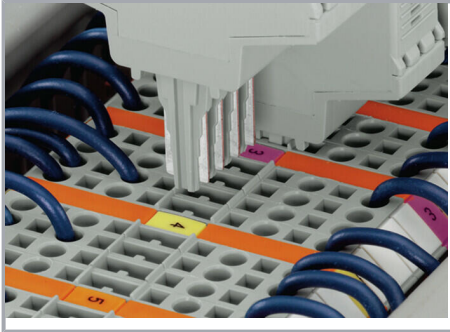
Environmental Product Compliance 286-792
Optocoupler module; Red status indicator; gray

[URL](#)

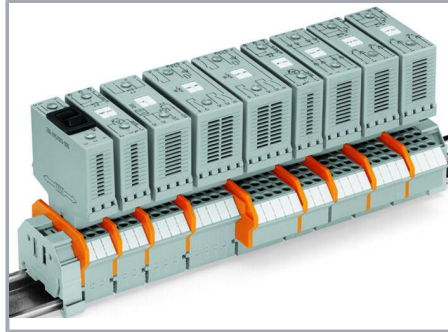
[Download](#)

Installation Notes

Assembly



Coding ensures correct polarity.



Pluggable electronic modules on 2- or 4-conductor carrier terminal blocks

Marking



Marking via WMB Multi Marking System.

Testing

Subject to changes. Please also observe the further product documentation!



Function testing via touch-proof test slots

Subject to changes. Please also observe the further product documentation!

WAGO GmbH & Co. KG
Hansastr. 27
32423 Minden
Phone: +49571 887-0 | Fax: +49571 887-169
Email: info.de@wago.com | Web: www.wago.com

Do you have any questions about our products?
We are always happy to take your call at +49 (571) 887-44222.