

4

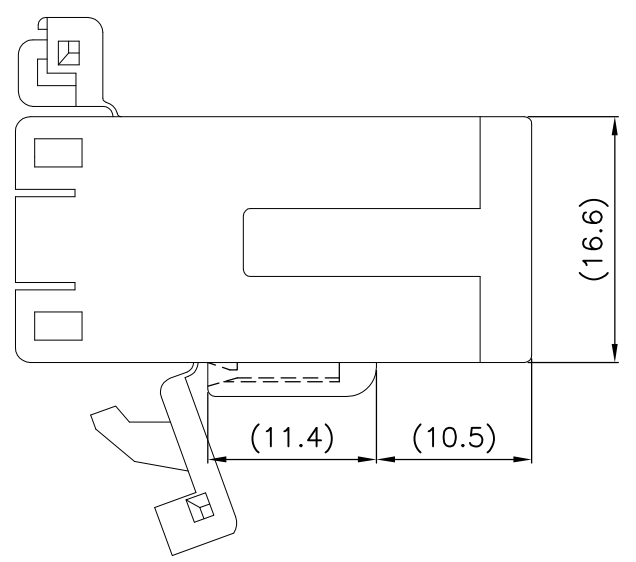
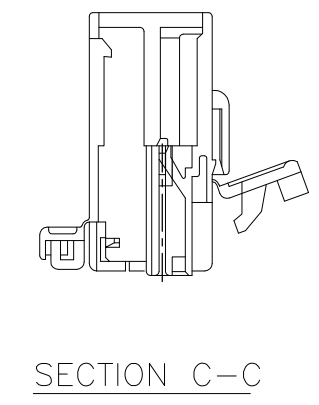
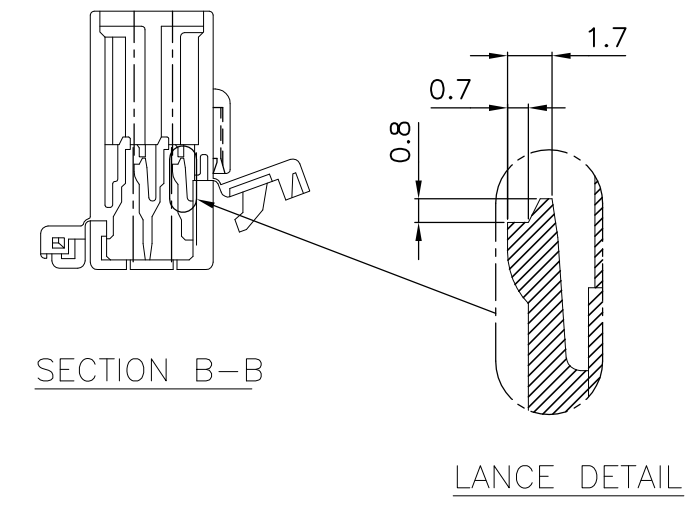
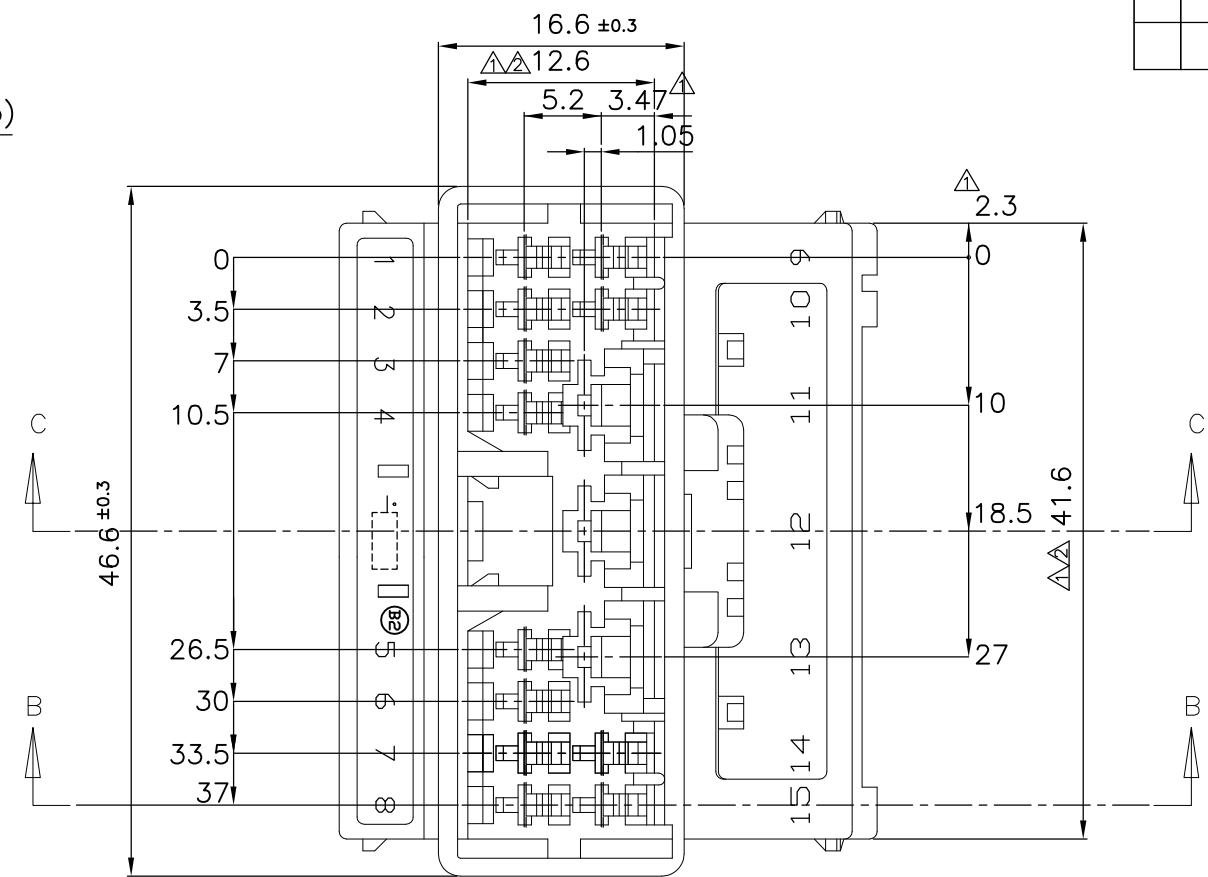
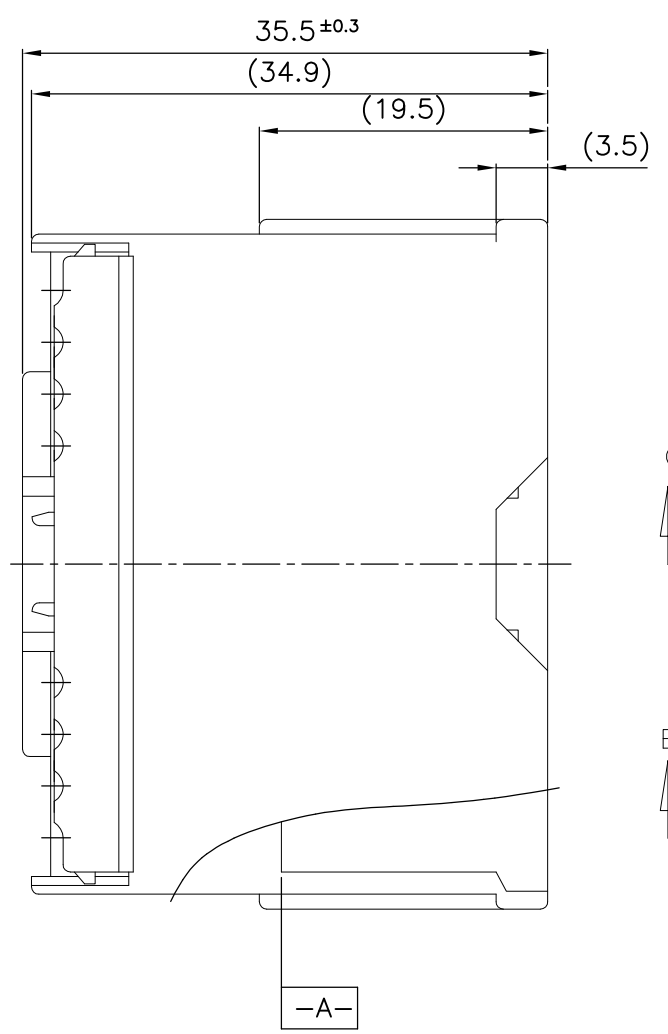
3

2

1

THIS DRAWING IS UNPUBLISHED. RELEASED FOR PUBLICATION ,19 .  
 © COPYRIGHT 19 BY AMP INCORPORATED. ALL RIGHTS RESERVED.

LOC	DIST	REVISIONS					
		P	LTR	DESCRIPTION	DATE	DWN	APVD
DS			A	REVISED(FC00-0058-98)	13/AUG/'98	HS	CS
			B	REVISED(FC00-0063-03)	09/MAY/'03	YD	CS
			B1	REVISED(ECR-06-006063)	15/MAR/'06	GC	JK
			B2	REVISED(ECR-10-019916)	28/SEP/'10	SJ	HG



NOTE  
 ▲ MUST BE KEPT BETWEEN [A] AND 2.  
 ▲ TO BE MATED WITH REC HSG SMOOTHLY  
 3. APPLIED TAB CONTACT PART NUMBERS  
 . 070 SERIES : 173633, 173645  
 . 250 SERIES : 170340, 170341, 170349  
 4. APPLIED PLUG HSG P/N; 85113  
 ⓑ ▲ THESE ARE FOR LOCAL CUSTOMER WITH POLY BAG/MID BOX/OUT BOX.  
 ⓑ ⓑ ▲ THIS IS FOR EXPORT WITH TRAY/OUT BOX.

ⓑ	P/N	REV.	MATERIAL	COLOR	PACKING
ⓑ	1-85114-5	A	P.B.T	BLUE	▲
ⓑ	1-85114-2	F	P.B.T	BLACK	▲
ⓑ	0-85114-5	F	P.B.T	BLUE	▲
ⓑ	0-85114-2	F	P.B.T	BLACK	▲
ⓑ	0-85114-1	F	P.B.T	WHITE	▲

THIS DRAWING IS A CONTROLLED DOCUMENT FOR AMP INCORPORATED. IT IS SUBJECT TO CHANGE AND THE CONTROLLING ENGINEERING ORGANIZATION SHOULD BE CONTACTED FOR THE LATEST REVISION.		DWN SJ CHOI	Tyco Electronics Tyco Electronics Kyungsan, Korea		
DIMENSIONS: MM		CHK JW JUNG			
TOLERANCES UNLESS OTHERWISE SPECIFIED: 0<XX<10 ±0.2 10<XX<30 ±0.25 30<XX ±0.3 ANGLES ±3°		APVD HG CHD	NAME		
3rd ANGLE PROJECTION		PRODUCT SPEC	.070/.250 HYBRID 15P CAP HSG		
MATERIAL SEE TABLE		APPLICATION SPEC	SIZE	CAGE CODE	DRAWING NO
FINISH		WEIGHT	A3	00779	85114
CUSTOMER DRAWING			SCALE 2/1	SHEET 1 OF 1	REV B2