

LED Tube Specifications

PRODUCT SPECIFICATION

Model No.: FYT8-5050UW3-B-96

Product Description:
<p>■ T8 LED tube</p>



CUSTOMER APPROVED SIGNATURES	APPROVED BY	CHECKED BY	PREPARED BY

NINGBO FORYARD OPTOELECTRONICS CO.,LTD.

Add:NO.115 Qixin Road Ningbo Zhejiang China

Zip:315051

Tel: 0086-574-87933652 87927870 87922206

Fax: 0086-574-87927917

E-mail:Sales@foryard.com (General)

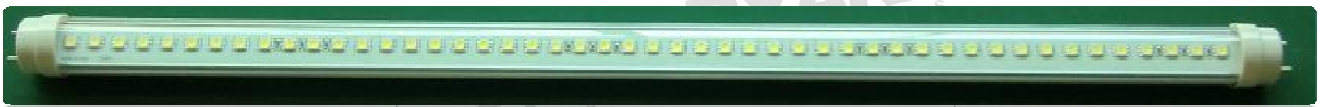
[Http://www.foryard.com](http://www.foryard.com)

Model No.: FYT8-5050UW3-B-96

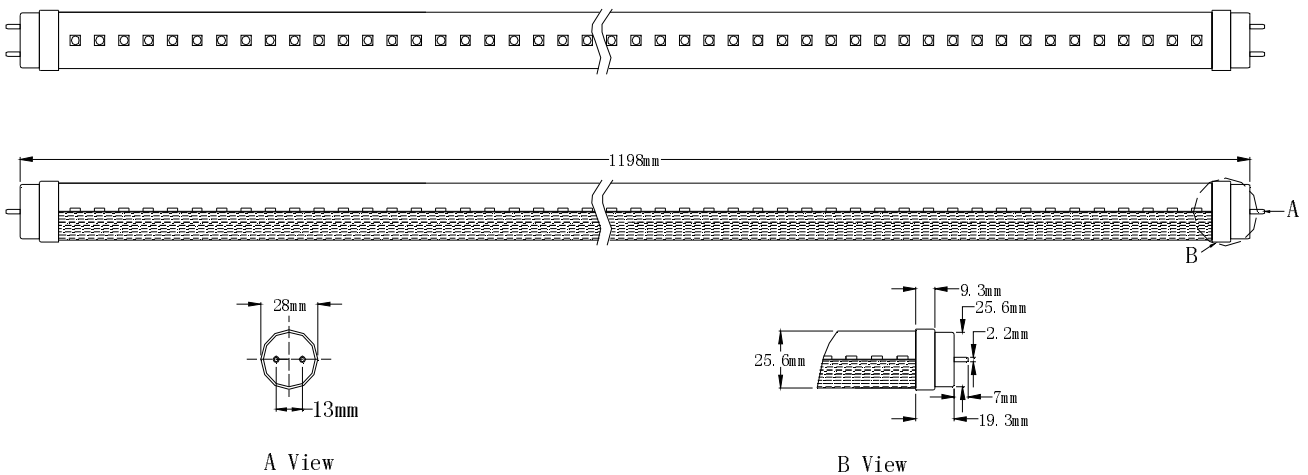
■ Features:

1. Name: 1.2m T8 LED tube
2. Input Voltage: AC100~240V
3. Lumen(1.2m): 1728lm
4. Size(L*D): 1198*26mm
5. LED Type/Quantity: 5050UW3-B/96PCS
6. Use Restriction: Indoors(suitable for use on walls or ceilings)
7. Can not adjust the brightness
8. Net Weight: 300 g

■ Photo



■ Package Dimensions:



Notes:

1. All dimensions are millimeters.
1. All dimension tolerance is ± 1 mm unless otherwise noted.

Model No.: FYT8-5050UW3-B-96

■ Rating Electrical/Optical Characteristics

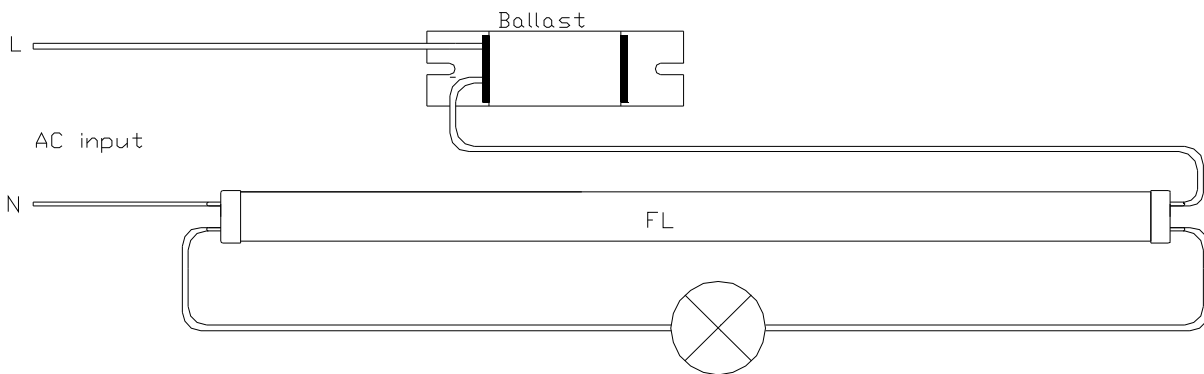
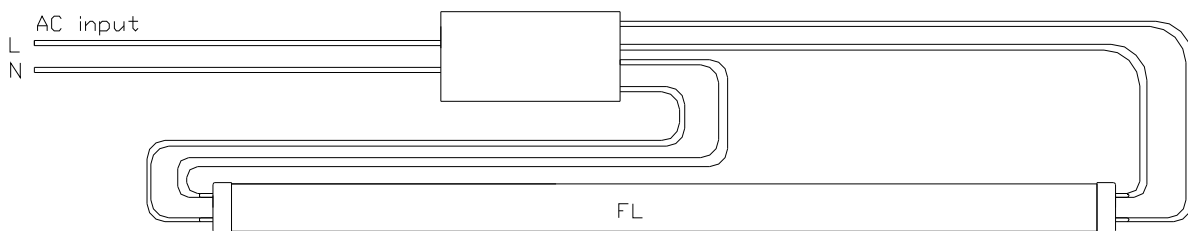
Item	Symbol	Type Data	Unit	
Operation Voltage	Vi	100~240	V/AC/DC	
Frequency	F	50~60	Hz	
Power Consumption	P	18	W	
Lumen	&	1642	lm	
Illuminance	Distance:1M	E1	1240	Lux
	Distance :2.5M	E2	140	
	Distance:3.3M	E3	50	
Color rendering index	Ra	82	/	
Color Temperature	Tc	5000~5500	K	
LED Quantity	Q' TY	288	PCS	
Operation Temperature	T	-20~+40	°C	
Weight	NM	293	g	
Life Time	/	50,000	hrs	
CE Registration No.	EMC	STE100113035		
	LVD	STS10113015		

Model No.: FYT8-5050UW3-B-96

■ Application Notes

1. The LED light tube is for indoor only;
2. This LED light tube can replace the existing FL, but need be modified the circuitry as following

a) Existing electronic ballast FL circuitry:

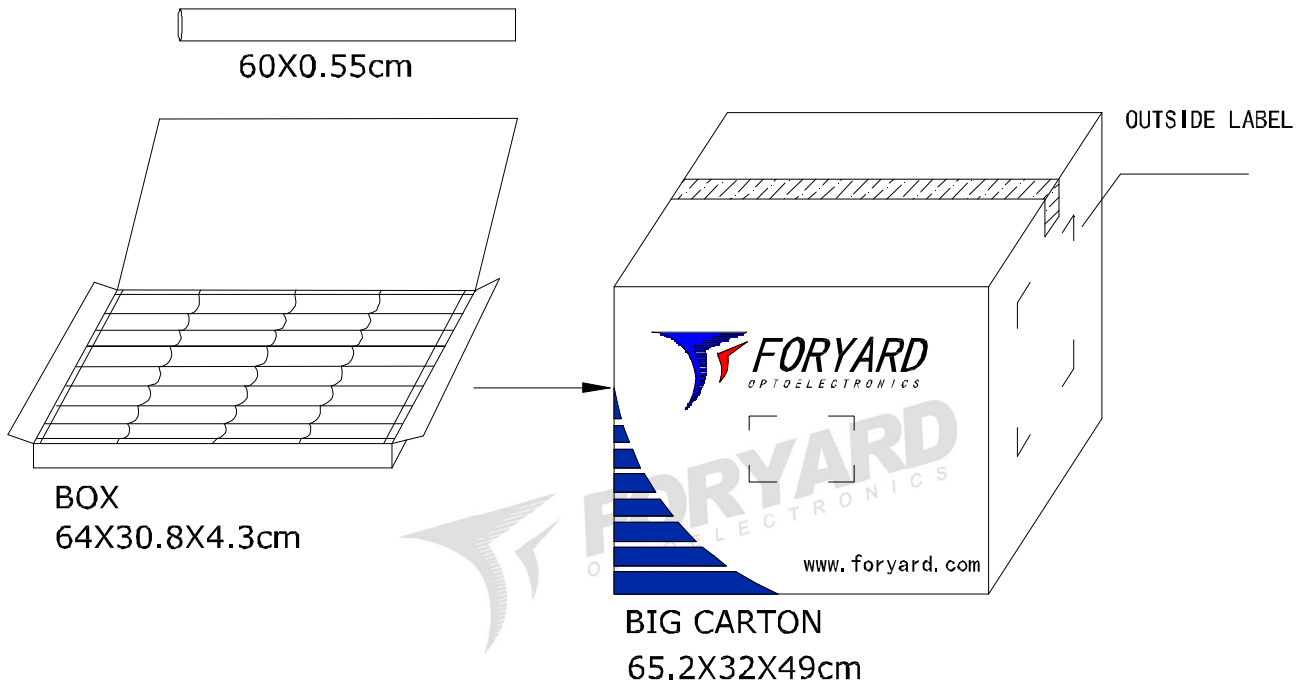


b) LED Light tube circuitry



Model No.: FYT8-5050UW3-B-96

■ Shipment Package



OUTSIDE LABEL

Notes:

- 1、Normal packing quantity in box: 1PCS
- 2、1pcs/ antistatic bag, 8bag/small carton, 10small carton/big carton.