

**Cascadable Amplifier  
5 to 500 MHz**

**A75/ SMA75**

V3

**Features**

- HIGH GAIN: 21.0 dB (TYP.)
- LOW NOISE: 2.1 dB (TYP.)
- MEDIUM OUTPUT LEVEL: +9 dBm (TYP.)
- WIDE POWER SUPPLY RANGE: +5 TO +20 VOLTS

**Description**

The A75 RF amplifier is a discrete hybrid design, which uses thin film manufacturing processes for accurate performance and high reliability.

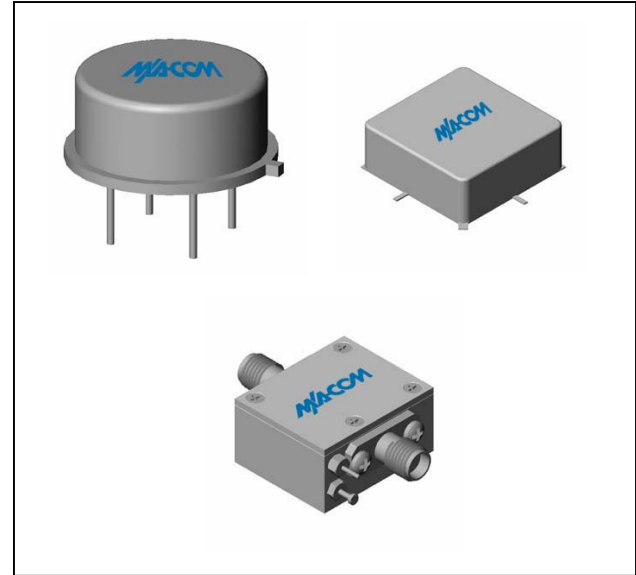
This single stage bipolar transistor feedback amplifier design displays impressive performance over a broadband frequency range. Both TO-8 and Surface Mount packages are hermetically sealed, and MIL-STD-883 environmental screening is available.

**Ordering Information**

Part Number	Package
A75	TO-8
SMA75	Surface Mount
CA75**	SMA Connectorized

\*\*The connectorized version is not RoHS compliant.

**Product Image**



**Electrical Specifications:  $Z_0 = 50\Omega$ ,  $V_{CC} = +15 V_{DC}$**

Parameter	Units	Typical	Guaranteed	
		25°C	0° to 50°C	-54° to +85°C*
Frequency	MHz	1-600	5-500	5-500
Small Signal Gain (min)	dB	21.0	19.5	19.0
Gain Flatness (max)	dB	±0.2	±0.5	±0.7
Reverse Isolation	dB	25		
Noise Figure (max)	dB	2.1	2.7	3.0
Power Output @ 1 dB comp. (min)	dBm	9.0	8.0	7.0
IP3	dBm	+21		
IP2	dBm	+26		
Second Order Harmonic IP	dBm	+32		
VSWR Input / Output (max)		1.5:1 / 1.5:1	1.8:1 / 1.8:1	2.0:1 / 2.0:1
DC Current @ 15 Volts (max)	mA	24	27	29

**Absolute Maximum Ratings**

Parameter	Absolute Maximum
Storage Temperature	-62°C to +125°C
Case Temperature	125°C
DC Voltage	+21 V
Continuous Input Power	+13 dBm
Short Term Input power (1 minute max.)	50 mW
Peak Power (3 µsec max.)	0.5 W
"S" Series Burn-In Temperature (case)	125°C

**Thermal Data:  $V_{CC} = +15 V_{DC}$**

Parameter	Rating
Thermal Resistance $\theta_{jc}$	170°C/W
Transistor Power Dissipation $P_d$	0.194 W
Junction Temperature Rise Above Case $T_{jc}$	33°C

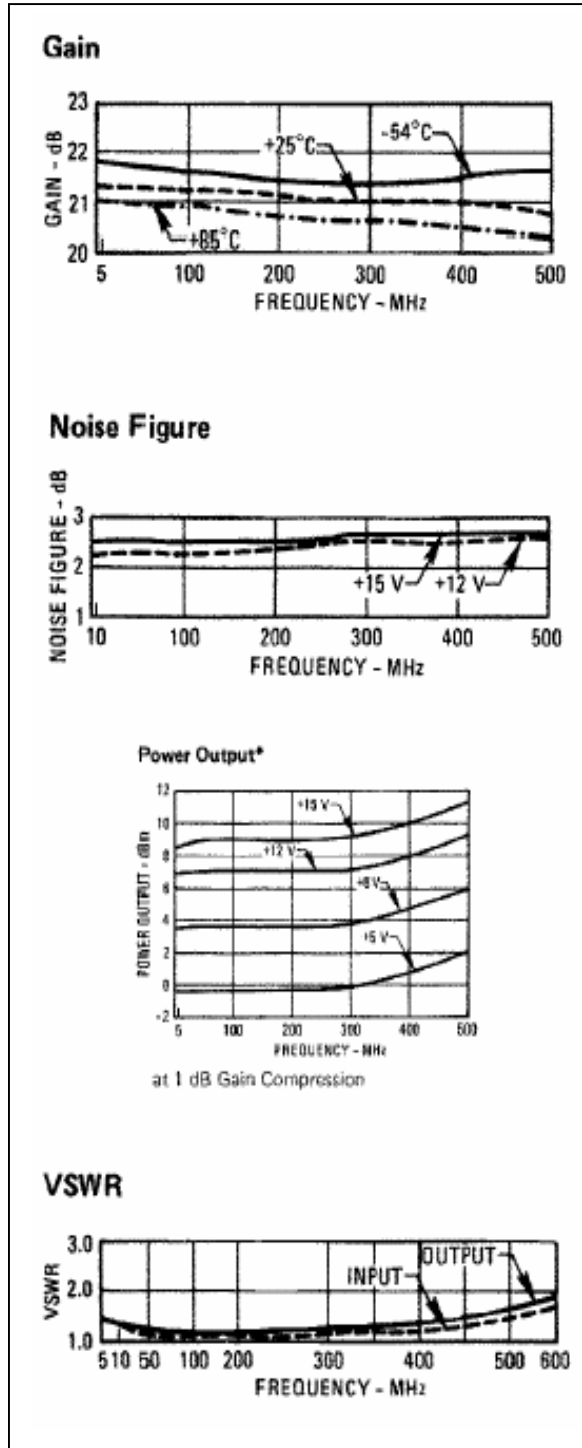
\* Over temperature performance limits for part number CA75, guaranteed from 0°C to +50°C only.

**Cascadable Amplifier  
5 to 500 MHz**

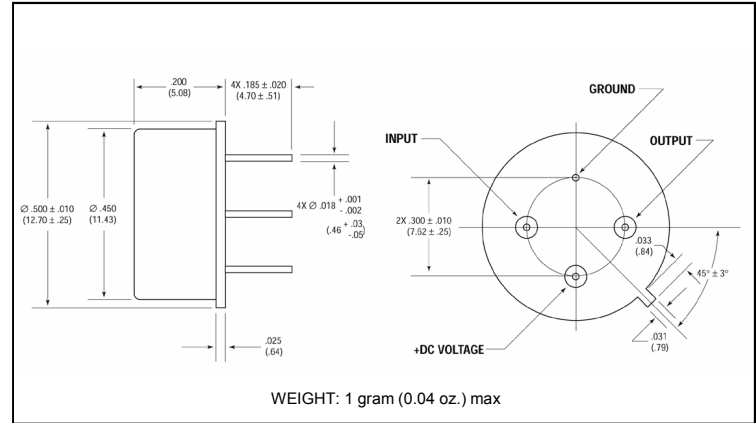
**A75/ SMA75**

V3

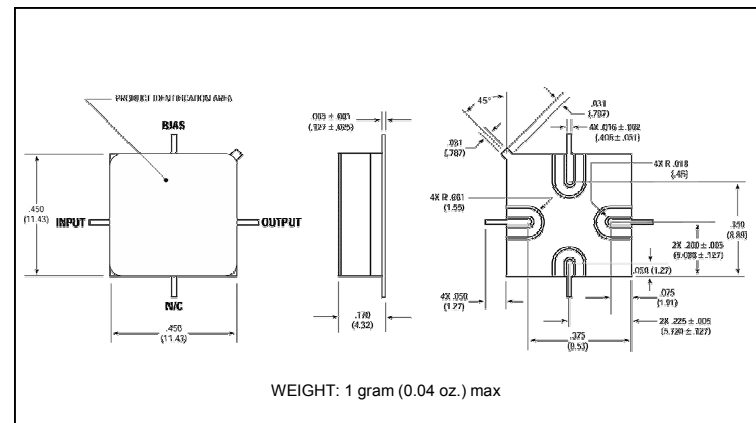
**Typical Performance Curves at +25°C**



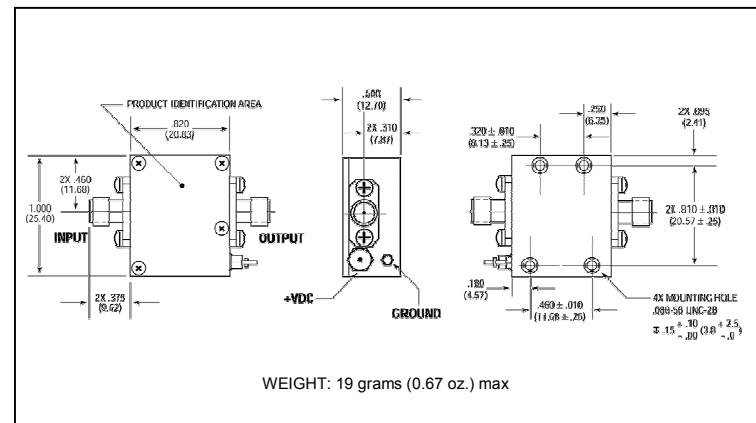
**Outline Drawing: TO-8 \***



**Outline Drawing: Surface Mount \***



**Outline Drawing: SMA Connectorized \***



\* Dimensions are inches (millimeters) ±0.015 (0.38) unless otherwise specified.