

**PLEASE CHECK WWW.MOLEX.COM FOR LATEST PART INFORMATION**

**Part Number:** [0513480613](#)  
**Status:** **Active**  
**Description:** 3.30mm (.130") Pitch Wire-to-Wire Retainer, 6 Circuits

**Documents:**

[Drawing \(PDF\)](#) [RoHS Certificate of Compliance \(PDF\)](#)  
[Product Specification PS-51347-001 \(PDF\)](#)

**General**

Product Family	Accessories
Series	51348
Component Type	Retainer
Product Name	N/A

**Physical**

Circuits (Loaded)	6
Color - Resin	Yellow
Material - Resin	Nylon
Number of Rows	1
Packaging Type	Bag
Temperature Range - Operating	-25°C to +85°C

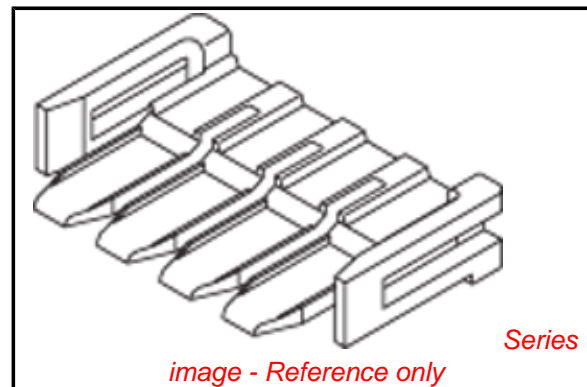
**Electrical**

Current - Maximum per Contact	4A
-------------------------------	----

**Material Info**

**Reference - Drawing Numbers**

Product Specification	PS-51347-001, RPS-501328-002, RPS-501328-003, RPS-51347-005, RPS-51347-006, RPS-51347-007
Sales Drawing	SD-51348-002



*image - Reference only*

**EU RoHS**

**ELV and RoHS  
Compliant**  
**REACH SVHC**  
 Not Reviewed  
**Halogen-Free  
Status**  
 Not Reviewed

**China RoHS**



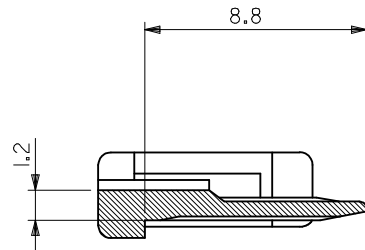
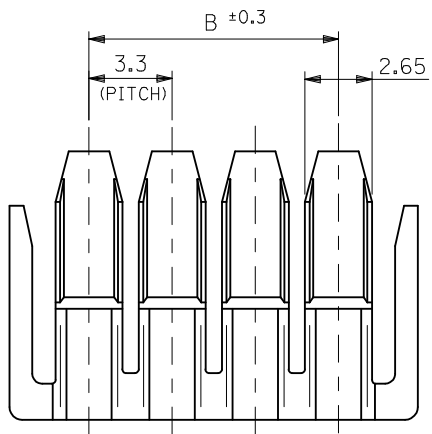
**Need more information on product  
environmental compliance?**

Email [productcompliance@molex.com](mailto:productcompliance@molex.com)  
 For a multiple part number RoHS Certificate of  
 Compliance, [click here](#)

Please visit the [Contact Us](#) section for any  
 non-product compliance questions.

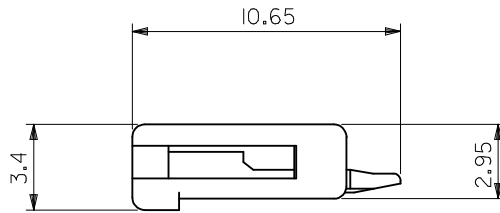
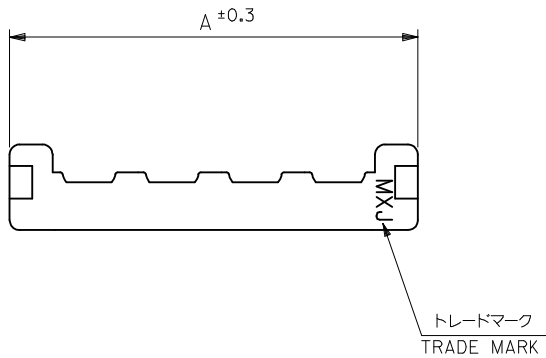
**Search Parts in this Series**  
[51348Series](#)

**Use With**  
[51347](#) , [51346](#)



注記  
NOTES

- △ 適合ハウジング : 51346/51347シリーズ  
APPLICABLE HOUSING : 51346/51347 SERIES
- 2. 材質 : ポリアミド(PA)、ガラス充填、UL94V-0  
MATERIAL : POLYIMIDE(PA)、GLASS FILLED、UL94V-0
- 3. ELV 及び RoHS 適合品  
ELV AND RoHS COMPLIANT



NATURAL(IVORY)	23.1	29.4	51348-0813	8
YELLOW	16.5	22.8	-0613	6
	13.2	19.5	-0513	5
	9.9	16.2	-0413	4
	6.6	12.9	-0313	3
YELLOW	3.3	9.6	51348-0213	2
COLOR	B	A	PLASTIC BAG オーダー番号 ORDER No.	極数 CIRCUITS

CONNECTOR SERISE No. 51348-\*\*13

REVISED EC NO: J2010-0281 DRWN: YOSHIKAWA 2009/08/20 CHK'D: ASAKAWA 2009/08/20 APPR: NUKITA 2009/08/20	GENERAL TOLERANCES (UNLESS SPECIFIED)		DIMENSION STYLE MM ONLY		SCALE ---		DESIGN UNITS METRIC		THIRD ANGLE PROJECTION	
	10 UNDER ± 0.2		DRAWN BY T. ODA DATE 2004/01/19		TITLE 3.3 W/W CONN. RETAINER		MOLEX INCORPORATED		SHEET NO. 1 OF 1	
	10 OVER 30 UNDER ± 0.25		CHECKED BY S. ICHIKAWA DATE		MATERIAL NO. SEE CHART					
	30 OVER ± 0.3		APPROVED BY Y. ITO DATE		DOCUMENT NO. SD-51348-002					
ANGULAR ± 3 °		DRAFT WHERE APPLICABLE MUST REMAIN WITHIN DIMENSIONS		SIZE A3		THIS DRAWING CONTAINS INFORMATION THAT IS PROPRIETARY TO MOLEX INCORPORATED AND SHOULD NOT BE USED WITHOUT WRITTEN PERMISSION				