



LEOPARD IMAGING INC

LI-OV10650-495-GMSL2-xxxH

Data Sheet

Key Features

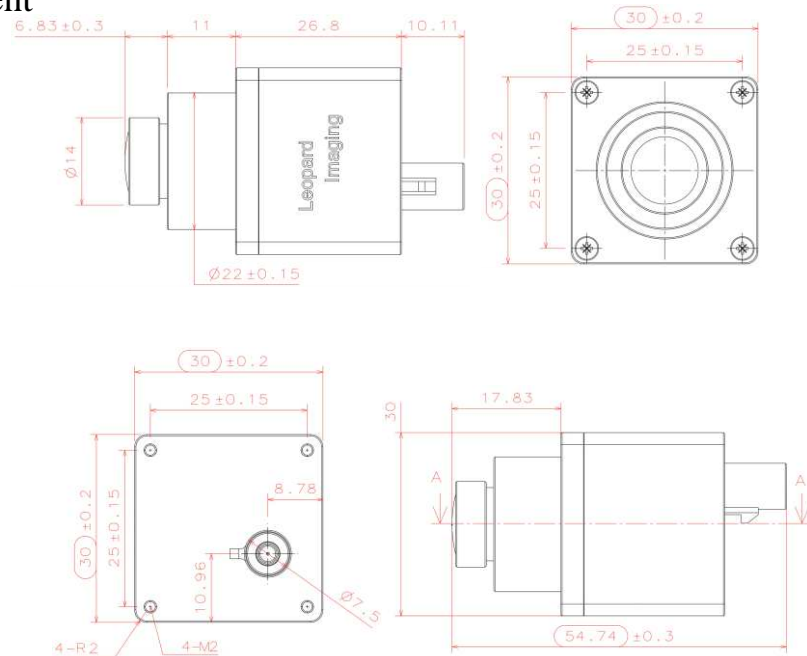
- OmniVision CMOS 1.7MP Image Sensor OV10650
- Optical format: 1/2.09"
- Maximum resolution: 1824H x 940V
- Pixel size: 4.2 um x 4.2 um
- YUV output without compression
- Includes OV495 ISP
- Support WDR
- Lens: FOV H 60 / 120
- GMSL2 serializer
- Connector: FAKRA Z TYPE
- Water proof: IP67 (Up to IP69K)
- Operation Temp: -40 ~ 105 °C ambient temp; -40 ~ 125 °C junction temp
- Size: 30 x 30 x 37.8 mm
- Weight: 50 g
- Part#:
LI-OV10650-495-GMSL2-xxxH



Application

- Autonomous driving
- Camera monitoring system
- Surround and rear view system

Dimensions

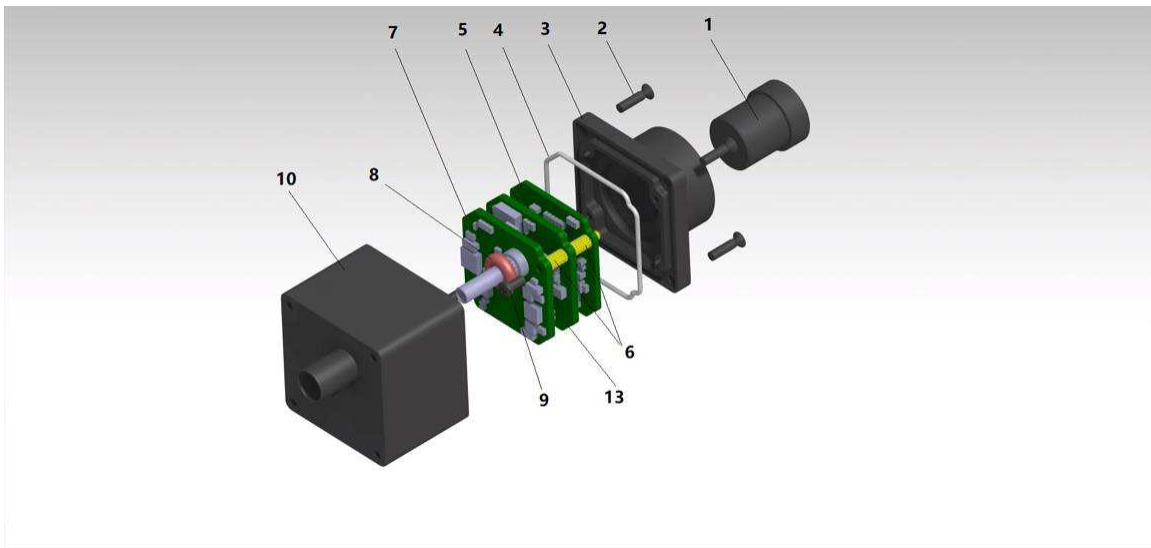


Leopard Imaging Inc.

48820 Kato Rd, Suite 100B, Fremont, CA 94538, USA
Phone: +1-408-263-0988
Fax: +1-408-217-1960
Email: sales@leopardimaging.com
Website: www.leopardimaging.com

BOM

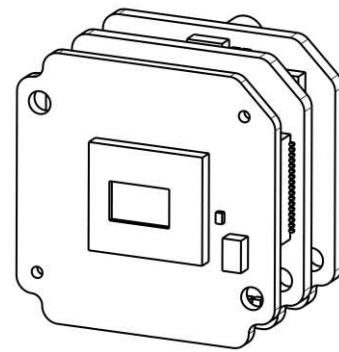
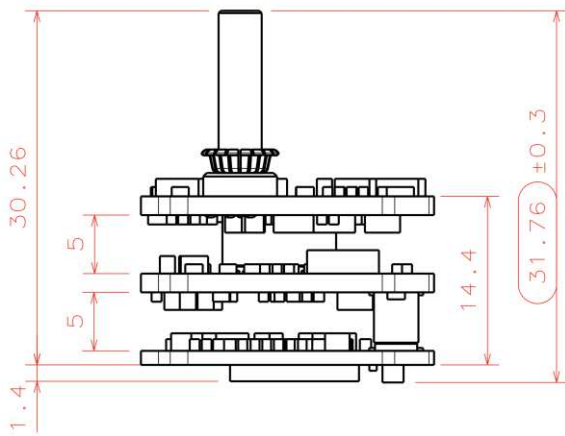
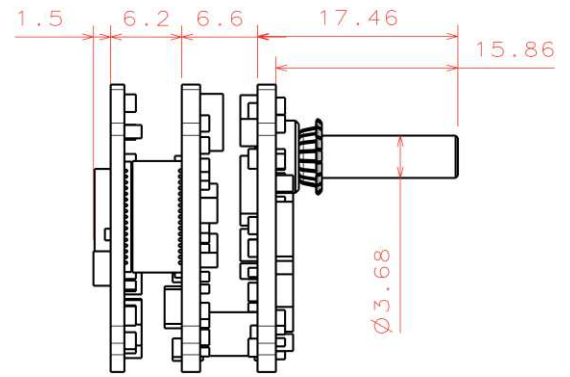
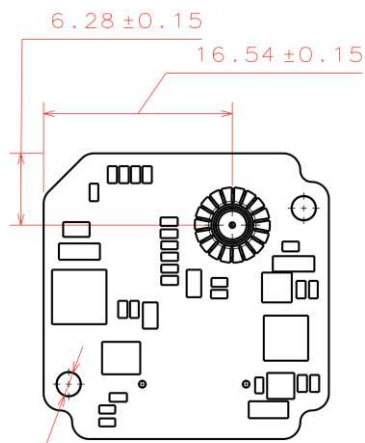
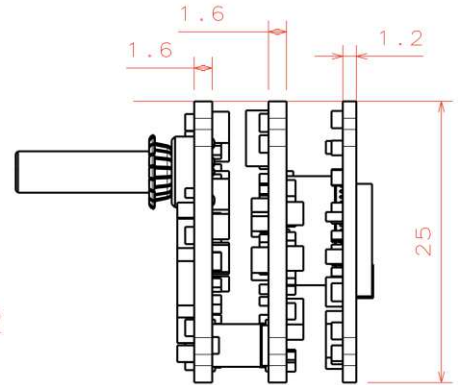
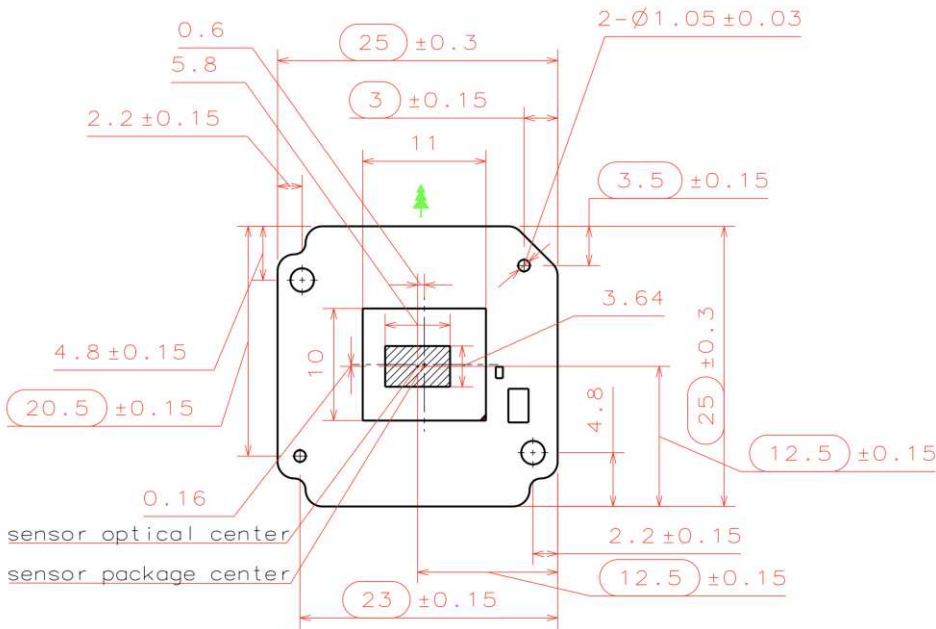
#	Name	SPEC	QTY/SET
1	M12 Lens	M127B0818W LC001	1
2	Screw	KM2*8 black STAINLESS 304	4
3	Shell 2	AL6061-T6 BLACK Anodizing	1
4	Sealing ring	Silicon rubber, White	1
5	LI-OV10650-MIPI-FKR	OV10650 sensor board	1
6	Copper pillar	M2*5+4	4
7	LI-GMSL2-FKR	GMSL2 serializer board	1
8	O ring	7*2.4 Silicon rubber Red	1
9	Screw	M2*4 black ZINC	2
10	Shell 1	AL6061-T6 BLACK Anodizing	1
13	LI-OV495-FKR	OV495 ISP board	1



Leopard Imaging Inc.

48820 Kato Rd, Suite 100B, Fremont, CA 94538, USA
 Phone: +1-408-263-0988
 Fax: +1-408-217-1960
 Email: sales@leopardimaging.com
 Website: www.leopardimaging.com

Camera boards Dimensions

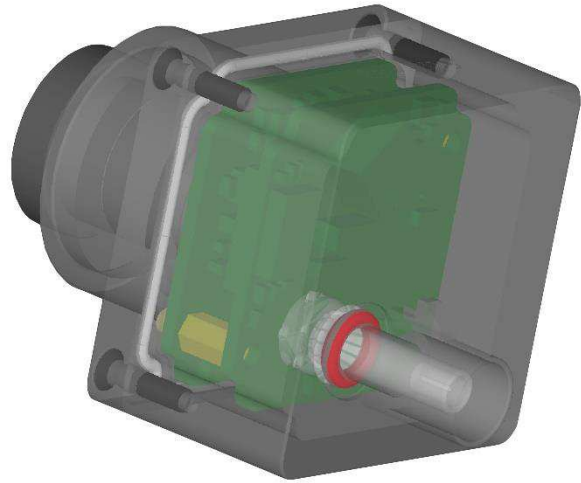


Leopard Imaging Inc.

48820 Kato Rd, Suite 100B, Fremont, CA 94538, USA
 Phone: +1-408-263-0988
 Fax: +1-408-217-1960
 Email: sales@leopardimaging.com
 Website: www.leopardimaging.com

Water Proof

- Metal Housing
- Water-proof M12 lens
- Sealed Gasket (White)
- Sealed O-ring (Red)



Cable Connector

- Housing Connector- FAKRA Z Type
- Cable length: 3 meters
Support single Coax Cable transmit up to 15 meters
- Cable Part#: FAK-SMZSMZ-0008
- FAKRA type connectors



Leopard Imaging Inc.



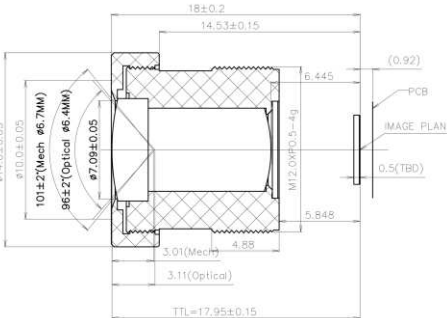
48820 Kato Rd, Suite 100B, Fremont, CA 94538, USA
Phone: +1-408-263-0988
Fax: +1-408-217-1960
Email: sales@leopardimaging.com
Website: www.leopardimaging.com

Ordering Information

Part#: LI-OV10650-495-GMSL2-xxxH

Note:

xxxH - 060H: FOV H 60°
 120H: FOV H 120°

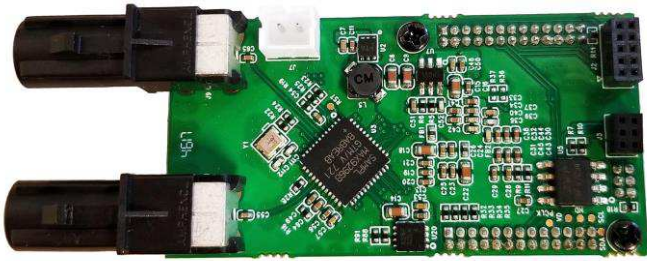
LI-OV10650-495-GMSL2-060H	LI-OV10650-495-GMSL2-120H
	
<p>Lens: M127B0818W Lens EFL: 8.0 mm F#: 1.8 FOV(D): 70° FOV(H): 59.5° FOV(V): 29°</p>	<p>Lens: LC001 Lens EFL: 3.98 mm F#: 2.3 FOV(D): 133° FOV(H): 116° FOV(V): 58.5°</p>
	



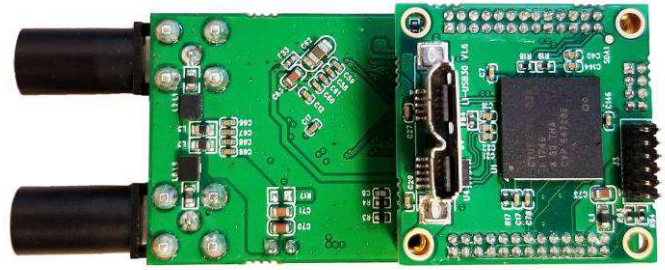
Leopard Imaging Inc.

48820 Kato Rd, Suite 100B, Fremont, CA 94538, USA
 Phone: +1-408-263-0988
 Fax: +1-408-217-1960
 Email: sales@leopardimaging.com
 Website: www.leopardimaging.com

LI-USB30-DESER-GMSL2



Front View



Back View

LI-OV10650-495-GMSL2 can connect to LI-USB30-DESER-GMSL2 as a USB 3.0 camera.

Part#: [LI-USB30-OV10650-495-GMSL2-xxxH](#)

Key Features

- USB 3.0 Super Speed support
- YUV output without compression
- Support WDR
- UVC compliance
- Provide customization services
- 12VDC Power Supply
- Weight: 91 g
- Single Coax Cable transmit up to 15 meter PoC(Power over Cable)
- Power consumption: Approx. 133mA at 12VDC
- Support Windows, Linux OS and other OS which include the UVC drivers.

SDK Supported

- Camera Tool Source Code in C#
- Capture & Display



Leopard Imaging Inc.

48820 Kato Rd, Suite 100B, Fremont, CA 94538, USA
Phone: +1-408-263-0988
Fax: +1-408-217-1960
Email: sales@leopardimaging.com
Website: www.leopardimaging.com

Revision History

Revision	Description	Release Date
1.0	First Release	25. Dec. 2018



Leopard Imaging Inc.

48820 Kato Rd, Suite 100B, Fremont, CA 94538, USA
Phone: +1-408-263-0988
Fax: +1-408-217-1960
Email: sales@leopardimaging.com
Website: www.leopardimaging.com