



PRODUCT SPECIFICATION

SPEC. No: _____

Attn: _____

DATE: July.05.2012

CUSTOMER PRODUCT NAME:
TDK PRODUCT NAME: WT-505060-10K2-A11-G
THIS SPECIFICATION IS:

TDK-EPC Corporation

Head Office Address:

1-13-1, Nihonbashi, Chuo-ku, Tokyo
103-0027, Japan

SALES

MANAGER	SALES

ENGINEERING

APPROVED	CHECKED	ISSUED

Sales Office _____

Sales Tel. _____

PRODUCT CLASSIFICATION CODE	
-----------------------------	--

REVISED HISTORY

CUSTOMER PRODUCT NAME: _____

TDK PRODUCT NAME: **WT-505060-10K2-A11-G**

NO.	REV.	REVISED CONTENT	REVISED REASON	DATE
1	0	To establish specification		2012.07.05

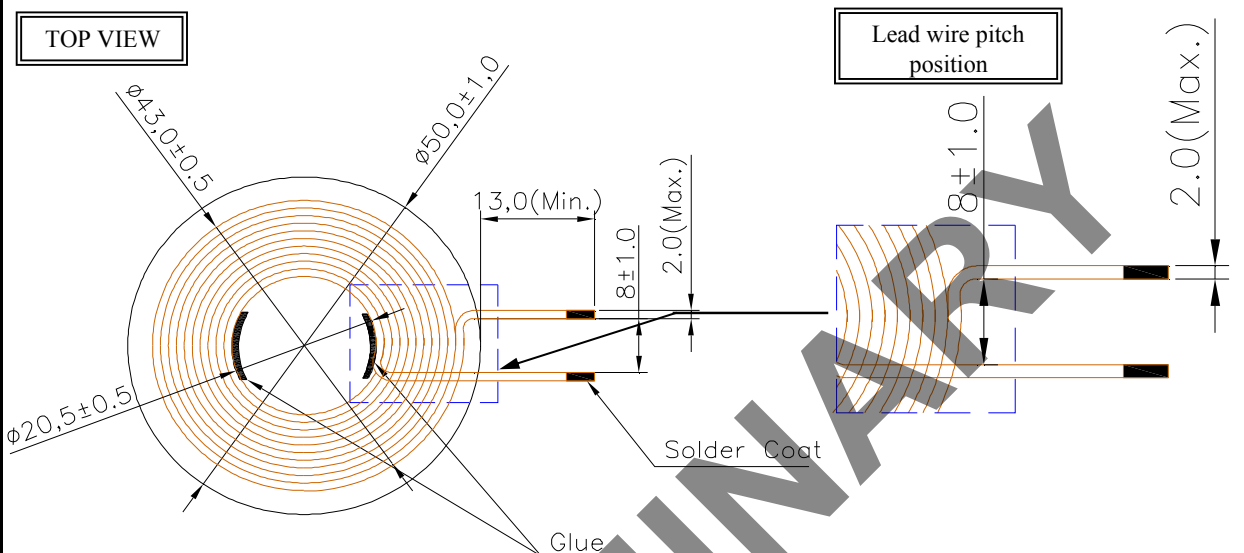
PRELIMINARY

PRODUCT SPECIFICATION

TDK PRODUCT NAME: WT-505060-10K2-A11-G	SPEC. NO.	CUSTOMER PRODUCT NAME:
--	-----------	------------------------

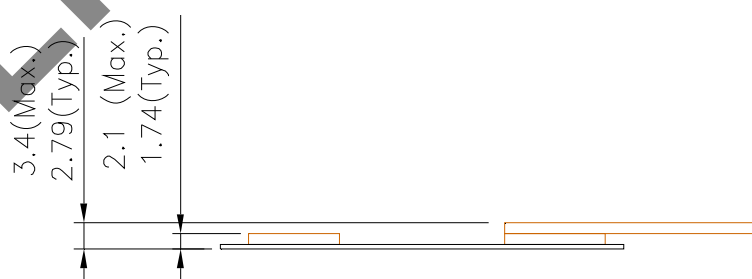
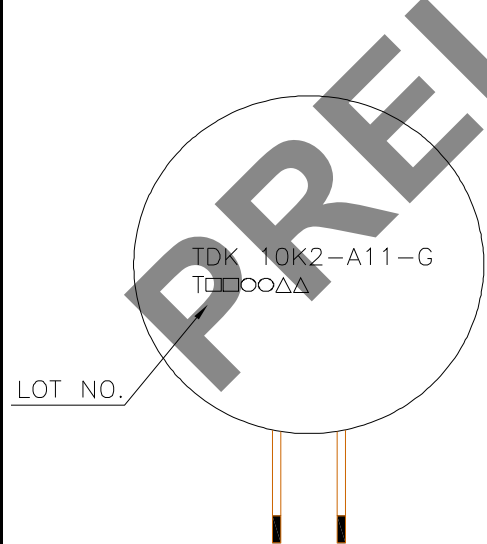
(1) Appearance & Dimensions (Unit: mm)

Weight: 11.4 g (Typ.)



BOTTOM VIEW

SIDE VIEW



[Remarks]

1. Lead wire pitch is end of wire position, not output terminal.
2. Marking Content:
 - a. T: Manufacturing Centers
 - b. Lot No.: □□ ○○ △△
 - (1) (2) (3)
- (1) Year: A.D. end number in double
- (2) Month: Jan.(1), Feb.(02)...Dec.(12)
- (3) Day: 01,02,03,...31.

PRODUCT SPECIFICATION

TDK PRODUCT NAME:

WT-505060-10K2-A11-G

SPEC. NO.

CUSTOMER PRODUCT NAME:

(2) Air coil specification

Wire Diameter: $\phi 0.08\text{mm} \times 105$ (Type2 Wire)

Coil Turns: 10TS ,1 layer

(3) Electrical Characteristics

No.	Parameter	Specification	Test Instrument
1	Inductance	6.3 $\mu\text{H} \pm 10\%$	HP 4284A DIGITAL LCR METER or EQUIVALENT (@100kHz 1.0 Vrms)
2	Q Value	70 (Min.)	HP 4284A DIGITAL LCR METER or EQUIVALENT (@100kHz 1.0 Vrms)
3	DC Resistance	0.06 Ω (Max.) (At 25°C)	CHEN HWA 502A OHM METER or EQUIVALENT

(4) Temperature Characteristics

No.	Parameter	Specification
1	Operating Temperature	-30~70°C
2	Storage Temperature	-40~85°C

(5) Application

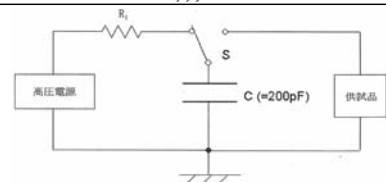
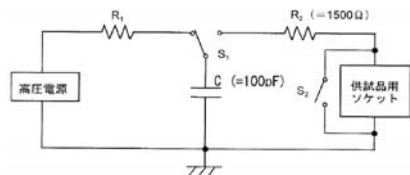
1. The product fit in with RoHS rule.
2. The product fit in with Halogen-Free.
3. Reflow and dip-flow soldering can not used for this product.

PRODUCT SPECIFICATION

TDK PRODUCT NAME: WT-505060-10K2-A11-G	SPEC. NO.	CUSTOMER PRODUCT NAME:
--	-----------	------------------------

(6) Reliability Conditions

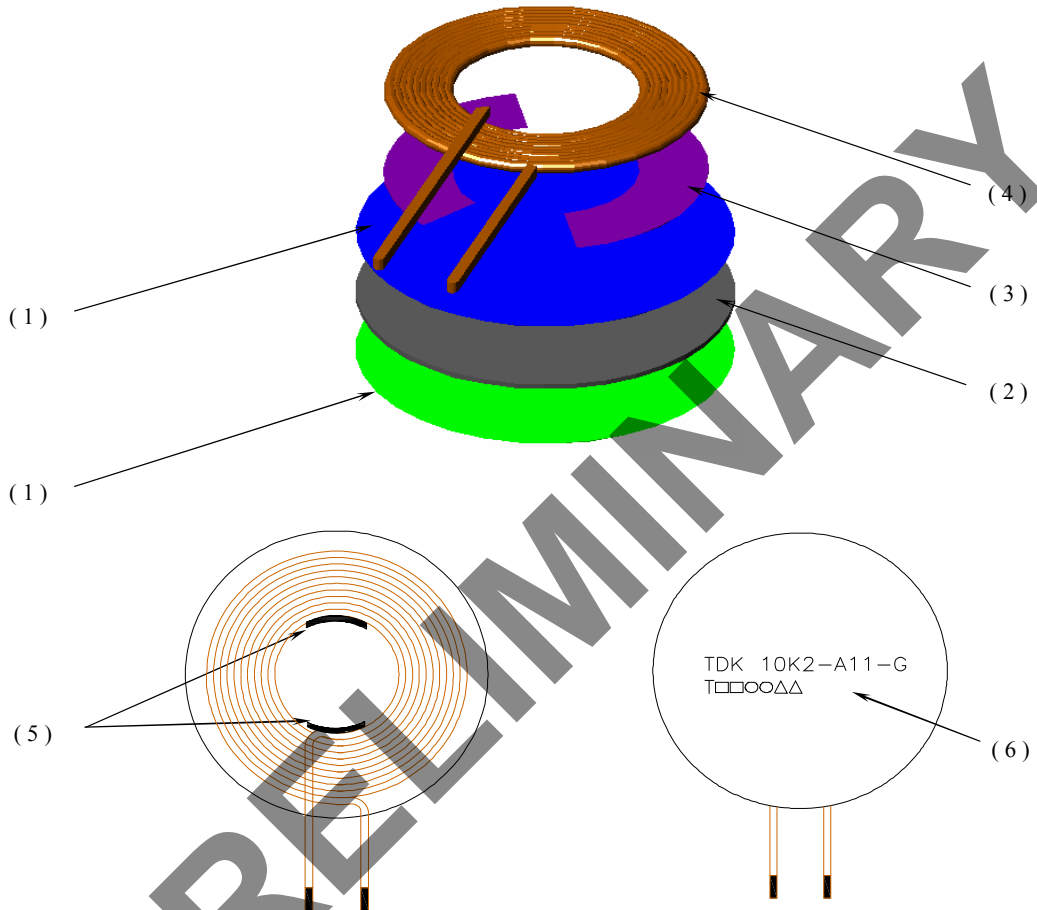
No.	Parameter	Conditions
1	Low Temperature (Storage)	(1) Temperature : $-40\pm 2^{\circ}\text{C}$ (2) Time : 240Hrs
2	High Temperature (Storage)	(1) Temperature : $+85\pm 2^{\circ}\text{C}$ (2) Time : 240Hrs
3	Thermal Shock	(1) Temperature : $-40\pm 5^{\circ}\text{C} / 30\text{min} \sim +85\pm 5^{\circ}\text{C} / 30\text{min}$ (2) Ambient Time : 5min (3) Times : 100cycles
4	Vibration	Unpacked: (1) frequency: 10~500Hz sweep 1 octave wave / 1 min (2) Amplitude: 1.5mm (p-p) or 10G (3) Direction: X, Y, Z, direction (4) Time: X, Y, Z for 2 hours each.
5	Temperature / Humidity (Storage)	(1) Temperature : $+60\pm 2^{\circ}\text{C}$ (2) Humidity: 90% RH. (3) Time: 240Hrs
6	Temperature / Humidity (OP)	(1) Temperature : $+60\pm 2^{\circ}\text{C}$ (2) Humidity: 90% RH. (3) Time: 240Hrs (4) Current: DC 1.0A (5) Frequency: 100kHz
7	Package Drop	(1) Drop the sample package in a carton box. (2) Height : 100 cm (3) Direction : 1corner, 3 edges, 6 faces (4) Drop time : 16 times
8	ESD(HBM)	(1) Test Voltage: 1000V (2) Ambient: $25\pm 5^{\circ}\text{C}$ (3) Time: Negative / Positive each 1 time (4) Resistance: 1500 Ω (5) Capacitance: 100pF
9	ESD(MM)	(1) Test Voltage: 100V (2) Ambient: $25\pm 5^{\circ}\text{C}$ (3) Time: Negative / Positive each 1 time (4) Capacitance: 200pF



PRODUCT SPECIFICATION

TDK PRODUCT NAME: WT-505060-10K2-A11-G	SPEC. NO.	CUSTOMER PRODUCT NAME:
--	-----------	------------------------

(7) Construction



(8) Material List

No.	Material Name
1	PET Tape
2	Ferrite Sheet
3	Adhesive Tape
4	Air Coil
5	Glue
6	Ink

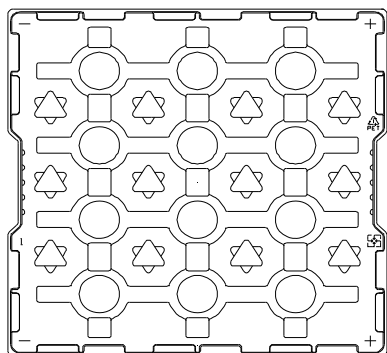
PRODUCT SPECIFICATION

TDK PRODUCT NAME: WT-505060-10K2-A11-G	SPEC. NO.	CUSTOMER PRODUCT NAME:
--	-----------	------------------------

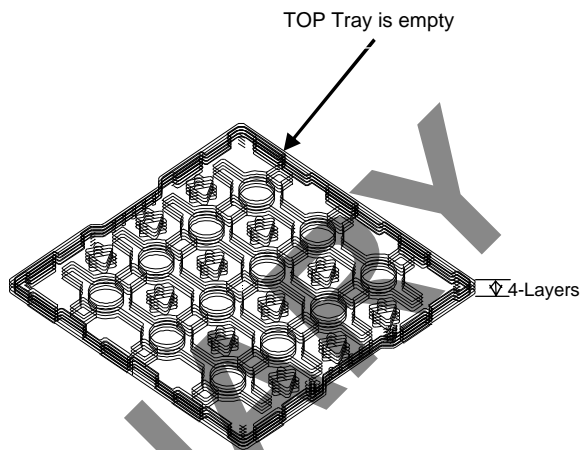
(9) Packing

1. To stack the the Trays onto 4 Layers:

- PET tray dimension: 326*329*11.0mm (REF.)
- 12 Pcs / per PET tray



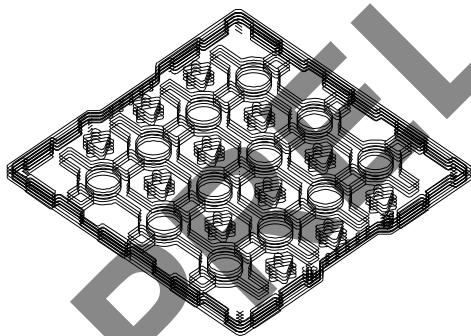
Total : 4x3=12pcs



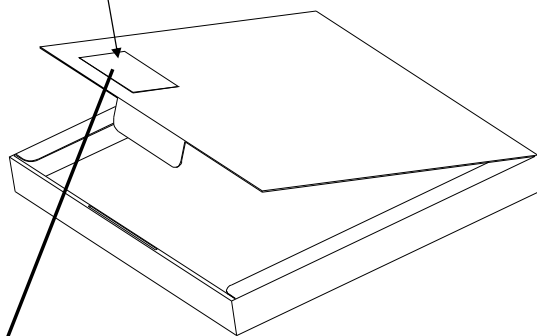
Total : 12x3=36pcs

2. To put 2 Trays of products into the small Carton and affixing the out-going label on the outside .

- Small carton dimension: 331*337*33mm (REF.)
- 4 PET Trays / per small carton (PET tray of the top side is empty in the small carton)



Out-going Label



Out-going Label

PRODUCT SPECIFICATION

TDK PRODUCT NAME:

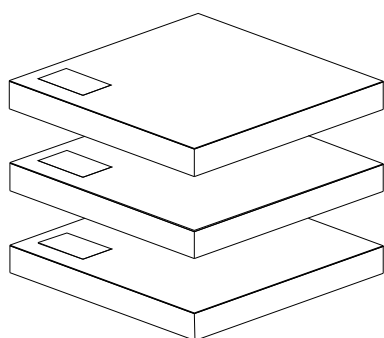
WT-505060-10K2-A11-G

SPEC. NO.

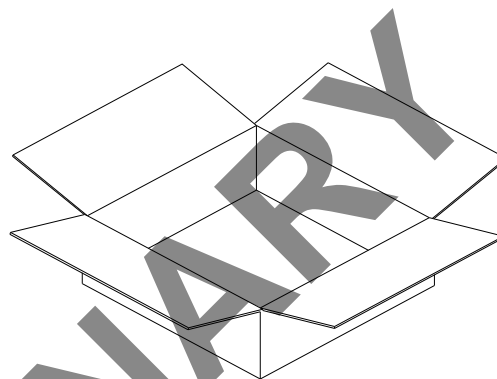
CUSTOMER PRODUCT NAME:

3. To put 3 small carton into the Carton .

- Outer carton dimension: 347*340*124mm (REF.)
- 3 small cartons / per outer carton
- Total quantity : 108 Pcs



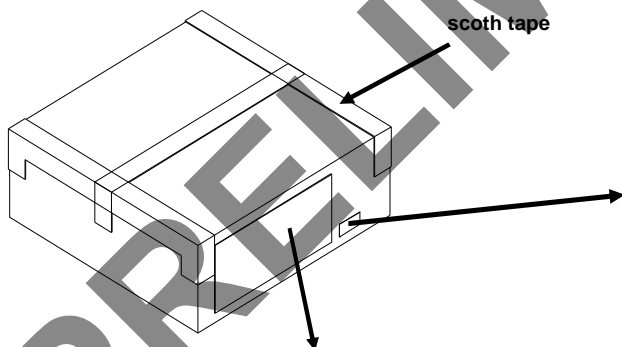
3 small cartons



Outer carton

4. Packing.




- To pack the carton by scotch tape and affix out-going label (outside) on it outside.
- The Inspection data in the box , there would be a signet mark on it outside.



scotch tape

INSPECTION DATA
ENCLOSED
檢驗紀錄表在內

signet mark of Inspection data

(3S) TTTW-WL11K0600200101400000360		CUSTOMER: Customer	
		CUST. PART NO(P): 12A34567-89A	
(6S) C/NO:1	BOX COUNT	TDK ITEM CODE(6P): 1TXDF12345TWN	
	001/009	P/O NO.(K): TTTT-S123456789	
SHIPPING MARK	ROHS	LOT NO.(IT): WL12345678	
SAMPLE		DATE: Nov.22.2011	
Customer Location		QTY(Q): 288	
		TDK ITEM (GP): WT-505060-10K2-A11-G (WT-505060-10K2-A11-G)	
MADE IN TAIWAN WL12K34567 12345A6789		SUB P/O NO.(6K): 4500059424	
		TDK SPEC.	
C/NO : 1	WAREHOUSE NW 3.6 GW 4.0	TDK TAIWAN CORPORATION	YANGMEI, TAIWAN
		9	 TTXDF10105

out-going label