

75 Ohm Flexible PE-B150 Coax Cable Single Shielded with Black PVC Jacket

RF Cables Technical Data Sheet

PE-B150

Configuration

Flexible Cable
1 Number of Shields

Electrical Specifications

Description	Minimum	Typical	Maximum	Units
Frequency Range	DC		5	GHz
Impedance		75		Ohms
Operating Voltage (AC)			600	Vrms
Nominal Capacitance		20.5 [67.26]		pF/ft [pF/m]

Performance by Frequency Band

Description	F1	F2	F3	F4	F5	Units
Frequency	10	100	400	700	1,000	MHz
Attenuation, Typ	2.4	5.7	12.1	16.5	20	dB/100ft
	7.87	18.7	39.7	54.13	65.62	dB/100m
Input Power (CW), Max	195	83	40	30	25	Watts

Description	F6	F7	F8	F9	F10	Units
Frequency	5					GHz
Attenuation, Typ	50					dB/100ft
	164.04					dB/100m

Mechanical Specifications

Diameter 0.15 in [3.81 mm]
Weight 0.019 lbs/ft [0.03 Kg/m]

Construction Specifications

Description	Material and Plating	Diameter
Inner Conductor	Copper Clad Steel, 7 Strands	0.017in [0.43 mm]

Click the following link (or enter part number in "SEARCH" on website) to obtain additional part information including price, inventory and certifications: [75 Ohm Flexible PE-B150 Coax Cable Single Shielded with Black PVC Jacket PE-B150](#)

75 Ohm Flexible PE-B150 Coax Cable Single
Shielded with Black PVC Jacket

RF Cables Technical Data Sheet

PE-B150

Dielectric	PE	0.1 in [2.54 mm]
First Shield	Tinned Copper Braid	
Jacket	PVC, Black	0.15 in [3.81 mm]

Environmental Specifications

Temperature

Operating Range -40 to 80 deg C

Compliance Certifications (visit www.Pasternack.com for current document)

Not RoHS Compliant

Plotted and Other Data

Notes:

75 Ohm Flexible PE-B150 Coax Cable Single Shielded with Black PVC Jacket from Pasternack Enterprises has same day shipment for domestic and International orders. Our RF, microwave and millimeter wave products maintain a 99% availability and are part of the broadest selection in the industry.

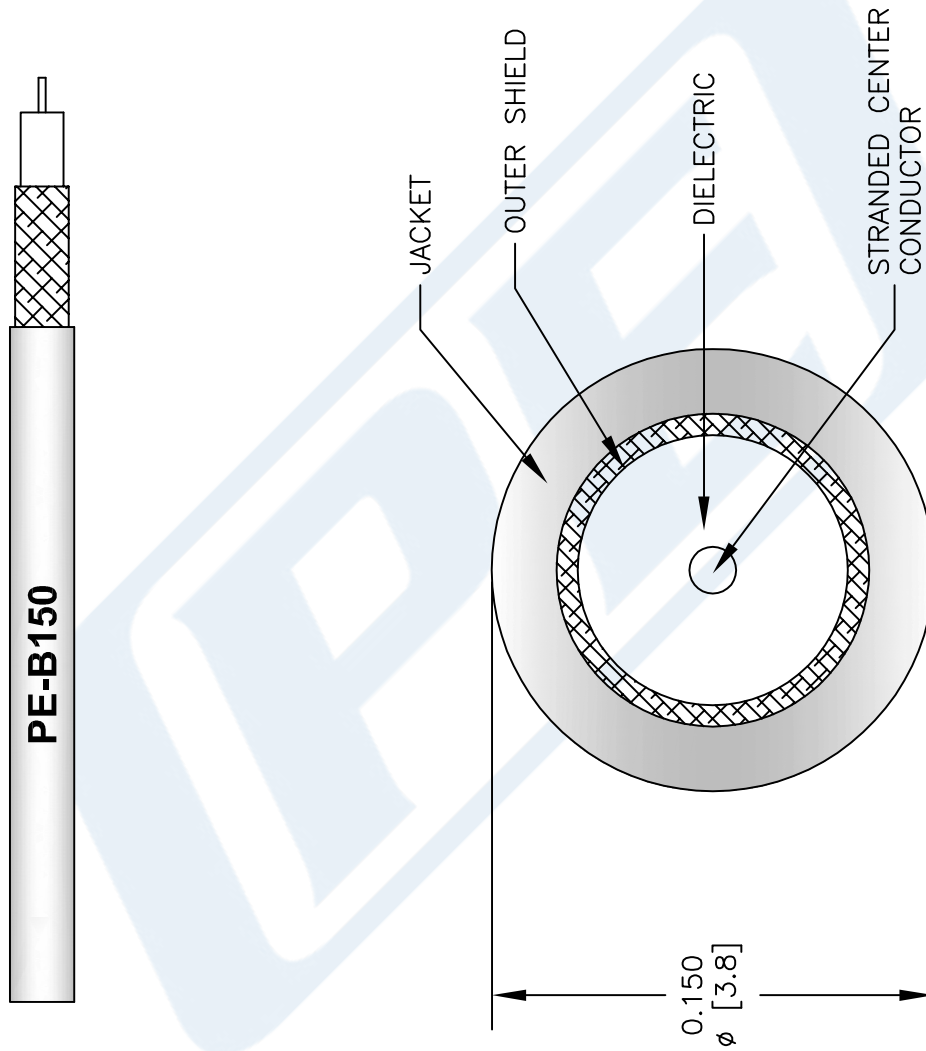
Click the following link (or enter part number in "SEARCH" on website) to obtain additional part information including price, inventory and certifications: [75 Ohm Flexible PE-B150 Coax Cable Single Shielded with Black PVC Jacket PE-B150](#)

URL: <http://www.pasternack.com/flexible-0.150-mini-75-ohm-coax-cable-pvc-jacket-pe-b150-p.aspx>

The information contained in this document is accurate to the best of our knowledge and representative of the part described herein. It may be necessary to make modifications to the part and/or the documentation of the part, in order to implement improvements. Pasternack reserves the right to make such changes as required. Unless otherwise stated, all specifications are nominal. Pasternack does not make any representation or warranty regarding the suitability of the part described herein for any particular purpose, and Pasternack does not assume any liability arising out of the use of any part or documentation.

PE-B150 CAD Drawing

75 Ohm Flexible PE-B150 Coax Cable Single Shielded with Black PVC Jacket



NOTES:
 1. UNLESS OTHERWISE SPECIFIED ALL DIMENSIONS ARE NOMINAL.
 2. ALL SPECIFICATIONS ARE SUBJECT TO CHANGE WITHOUT NOTICE AT ANY TIME.
 3. DIMENSIONS ARE IN INCHES (mm).

DWG TITLE

PE-B150

FSCM NO. 53919

CAD FILE 042809

SCALE N/A

SIZE A

127



Pasternack Enterprises, Inc.
 P.O. Box 16759 | Irvine | CA | 92623
 Phone: (949) 261-1920 | Fax: (949) 261-7451
 Website: www.pasternack.com | E-Mail: sales@pasternack.com