



UPSRB02

Preliminary

LINEAR INTEGRATED CIRCUIT

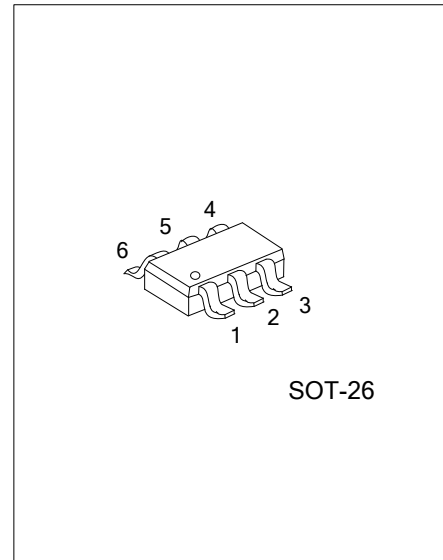
HIGH PRECISION CC/CV PRIMARY SIDE SWITCHING REGULATOR

DESCRIPTION

The UTC **UPSRB02** is a primary control unit for switch mode charger and adapter applications. The controlled variable is transferred by an auxiliary winding from the secondary to the primary side. The device uses Pulse Frequency Modulation (PFM) and Pulse Width Modulation (PWM) method to build discontinuous conduction mode (DCM) flyback power supplies.

The UTC **UPSRB02** operates in primary-side sensing and regulation. Opto-coupler and TL431 could be eliminated. It also eliminates the need of loop compensation circuitry while maintaining stability.

The UTC **UPSRB02** achieves high precision CV/CC regulation and high power efficiency. It offers comprehensive protection coverage with auto-recovery features including Cycle-by-cycle current limiting, output over voltage protection, V_{DD} over voltage protection, feedback loop open protection, short circuit protection, leading edge blanking, OTP, V_{DD} under voltage lockout, etc.



FEATURES

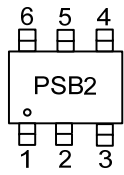
- * $\pm 5\%$ constant voltage regulation at universal AC input
- * Primary side control without TL431 and opto-coupler
- * High precision constant current regulation at universal AC input
- * Programmable CV and CC regulation
- * Eliminates control loop compensation circuitry
- * Flyback topology in DCM operation
- * Random frequency modulation to reduce system EMI
- * Driver BJT switch
- * Programmable cable drop compensation
- * Audio noise free operation
- * Improved dynamic response
- * Built-in leading edge blanking
- * Built-in primary winding inductance compensation
- * Open circuit protection
- * Output over voltage protection
- * V_{DD} over voltage protection
- * Short circuit protection
- * Over temperature protection

ORDERING INFORMATION

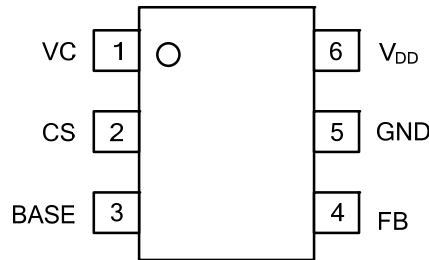
Ordering Number	Package	Packing
UPSRB02G-AG6-R	SOT-26	Tape Reel

<p>UPSRB02G-AG6-R</p>	<p>(1) Packing Type (1) R: Tape Reel</p> <p>(2) Package Type (2) AG6: SOT-26</p> <p>(3) Green Package (3) G: Halogen Free and Lead Free</p>
-----------------------	---

■ MARKING



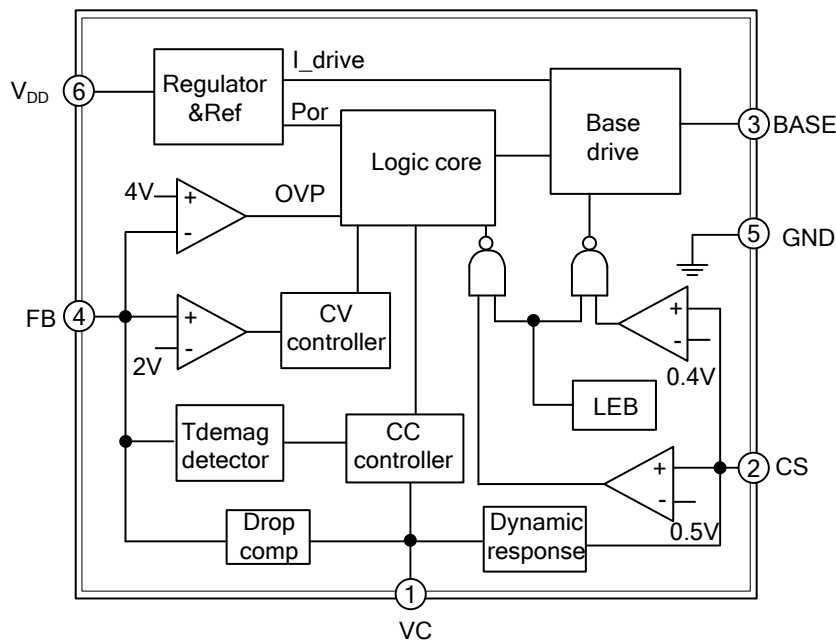
■ PIN CONFIGURATION



■ PIN DESCRIPTION

PIN NO.	PIN NAME	DESCRIPTION
1	VC	Low pass filter capacitor for cable compensation
2	CS	Current sense input.
3	BASE	Base drive power BJT.
4	FB	The voltage feedback from auxiliary winding
5	GND	Ground
6	V _{DD}	Power supply

■ BLOCK DIAGRAM



■ ABSOLUTE MAXIMUM RATING

PARAMETER	SYMBOL	RATINGS	UNIT
V _{DD} Voltage	V _{DD}	-0.3~30	V
VC Voltage	V _C	-0.3~7	V
BASE Voltage	V _{BASE}	-0.3~7	V
CS Input Voltage	V _{CS}	-0.3~7	V
FB Input Voltage	V _{FB}	-0.3~7	V
Junction Temperature	T _J	-40~150	°C
Storage Temperature	T _{STG}	-55~150	°C
Lead Temperature (Soldering, 10 secs)	T _{OPR}	260	°C

Note: Absolute maximum ratings are those values beyond which the device could be permanently damaged. Absolute maximum ratings are stress ratings only and functional device operation is not implied.

■ ELECTRICAL CHARACTERISTICS (T_A=25°C, V_{DD}=15V, if not otherwise noted)

PARAMETER	SYMBOL	TEST CONDITIONS	MIN	TYP	MAX	UNIT
Supply Voltage (V_{DD}) Section						
Start up Current	I _{ST}	V _{DD} =11V		1	3	μA
Static Current	I _{OP}	V _{DD} =15V		400	500	μA
Turn-off Threshold Voltage	V _{TH(OFF)}		6.0	6.8	7.6	V
Turn-on Threshold Voltage	V _{TH(ON)}		11.5	12.5	13.5	V
V _{DD} Over Voltage Protection	V _{DD_OVP}		25	27	29	V
Operating Voltage					25	V
Current Sense Input Section						
LEB Time	T _{LEB}			0.5		μs
Over Current Threshold	V _{CS}		400	450	500	mV
OCP Propagation Delay	T _{D_OC}	From OCP Comparator to Base Drive		100		nS
Maximum Source Current to CS Pin	I _{CS_MAX}		41	45	49	μA
FB Input Section						
Reference Voltage for Feedback Threshold	V _{FB}		1.98	2.00	2.02	V
Minimum Pause	T _{PAUSE_MIN}			2.0		μs
Maximum Pause	T _{PAUSE_MAX}		780	800	820	μs
Maximum Cable Compensation Current	I _{CABLE}			27		μA
BASE Drive Section						
Base Sourcing Maximum Current	I _{OUT(SOURCE)}		20	30	40	mA
Base Sourcing Current After Pre-off	I _{OUT(PRE)}		0.5	1	1.5	mA
Base Drive Low Side On Resistor	R _{DSON_L}			1		Ω

■ **OPERATION DESCRIPTION**

The UTC **UPSRB02** is a primary control unit for switch mode charger and adapter applications. It operates in primary-side sensing and regulation. Opto-coupler and TL431 could be eliminated. Proprietary built-in CV and CC control can achieve high precision CV/CC performance. It uses Pulse Frequency Modulation (PFM) and Pulse Width Modulation (PWM) method to build discontinuous conduction mode (DCM) flyback power supplies.

Startup control

The V_{DD} pin of UTC **UPSRB02** is connected to the line input through a resistor. A large value startup resistor can be used to minimize the power loss in application because the start current of UTC **UPSRB02** is very low. When the V_{DD} voltage reaches $V_{TH(ON)}$, the internal startup circuit is disabled and the IC turns on.

Operating Current

The Operating current of UTC **UPSRB02** is as low as 400µA. Good efficiency and very low standby power can be achieved.

Constant Voltage Operation

The output voltage is defined by the transmission ratio between the secondary and auxiliary winding. The UTC **UPSRB02** captures the auxiliary winding feedback voltage at FB pin and operates in constant-voltage (CV) mode to regulate the output voltage. The auxiliary voltage reflects the output voltage is given by:

$$V_{AUX} = \frac{N_A}{N_S} \times (V_O + \Delta V) \tag{1}$$

Where ΔV indicates the drop voltage of the output diode.

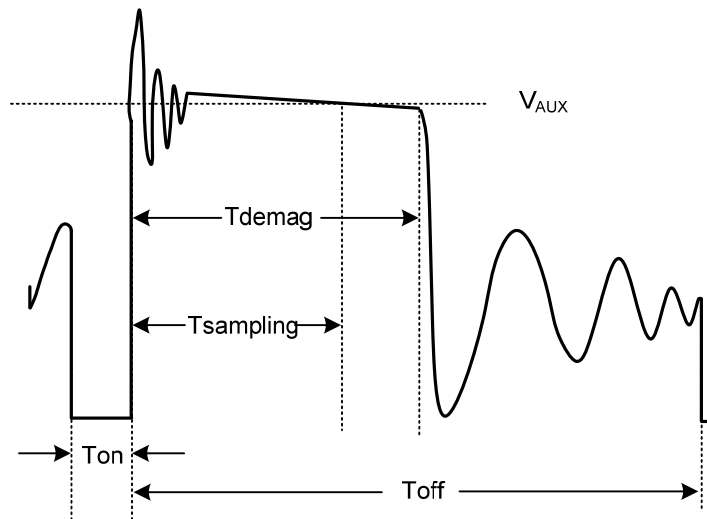


Figure2. Auxiliary voltage waveform

Via a resistor divider connected between the auxiliary winding and FB, the V_{AUX} is sampled at the $T_{sampling}$ end and it is hold until the next sampling. The sampled voltage is compared with 2V reference voltage and the error is amplified. The error amplifier output reflects the load condition and controls the T_{off} time to regulate the output voltage, thus constant output voltage can be achieved.

Constant Current Operation

When the sampled voltage is below 2V reference voltage and the error amplifier output reaches its maximum, thus UTC **UPSRB02** operates in constant-current (CC) mode. The CC point and maximum output power can be externally adjusted by external current sense resistor R_{cs} . The larger R_{cs} , the smaller CC point is, and the smaller output power becomes.

■ OPERATION DESCRIPTION (Cont.)

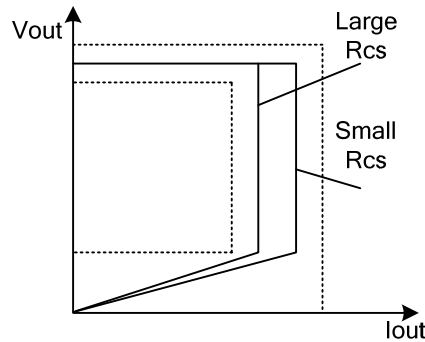


Figure3. Adjustable output power by changing Rcs

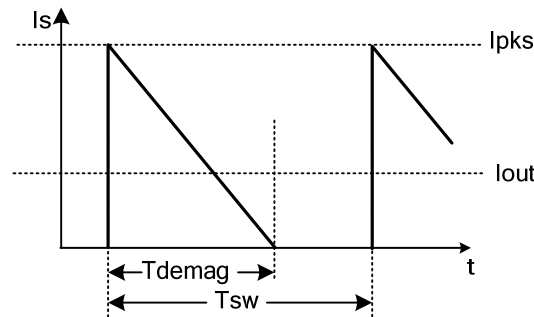


Figure4. Secondary current waveform

In CC operation, the CC loop control function of UTC **UPSRB02** will keep a fixed proportion between secondary inductance de-magnetization time (Tdemag) and switching cycle time (Tsw). The fixed proportion is

$$\frac{T_{demag}}{T_{sw}} = \frac{1}{2} \tag{2}$$

Thus the output current is given by:

$$I_{out} = \frac{1}{2} \times \frac{N_p}{N_s} \times I_{PK} \times \frac{T_{demag}}{T_{sw}} = \frac{1}{4} \times \frac{N_p}{N_s} \times I_{PK} \tag{3}$$

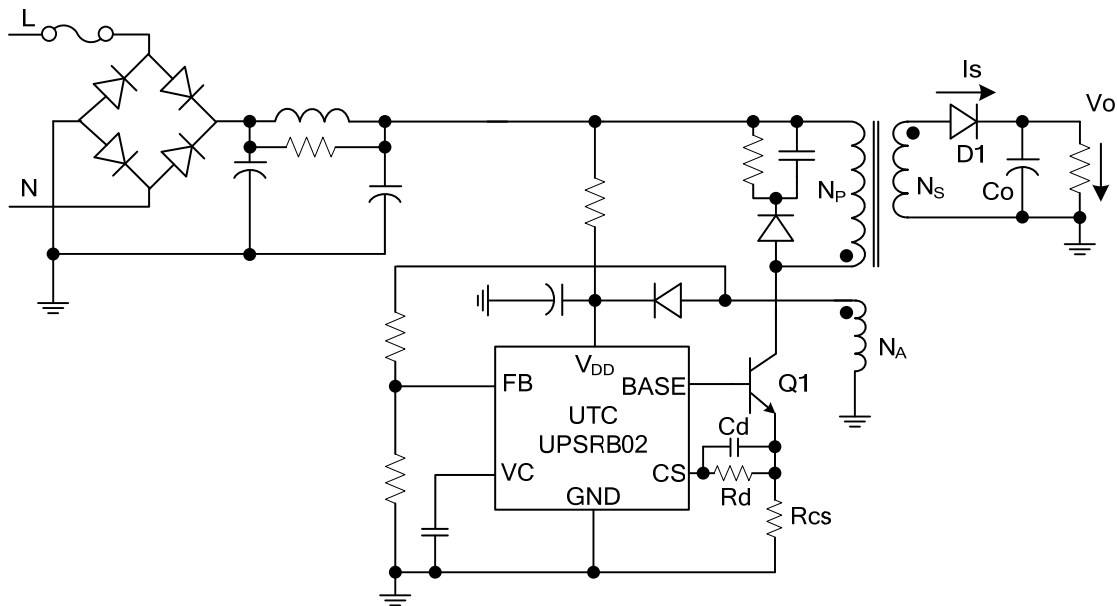
Programmable Cable drop Compensation

UTC **UPSRB02** has a built-in cable voltage drop compensation to achieve good load regulation. An offset voltage is generated at FB pin by an internal current flowing into the resistor divider. The current is inversely proportional to the voltage of VC pin. As a result, it is inversely proportional to the output load current. The voltage drop across the cable is compensated by this offset voltage at FB pin. It can also be programmed by adjusting the resistance of the divider to compensate the drop for various cable lines used.

Improve dynamic response

At light or no load, an internal current Ics is flowing into CS pin. The current Ics is inversely proportional to the voltage of VC pin, the maximum current Ics is limited to Ics_max.

■ TYPICAL APPLICATION CIRCUIT



UTC assumes no responsibility for equipment failures that result from using products at values that exceed, even momentarily, rated values (such as maximum ratings, operating condition ranges, or other parameters) listed in products specifications of any and all UTC products described or contained herein. UTC products are not designed for use in life support appliances, devices or systems where malfunction of these products can be reasonably expected to result in personal injury. Reproduction in whole or in part is prohibited without the prior written consent of the copyright owner. The information presented in this document does not form part of any quotation or contract, is believed to be accurate and reliable and may be changed without notice.