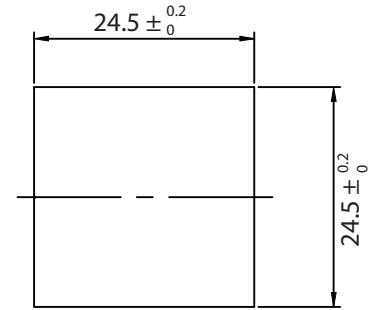
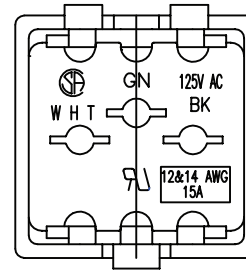
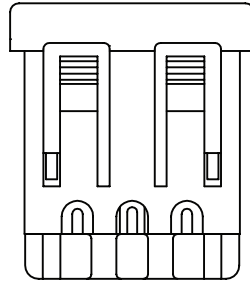
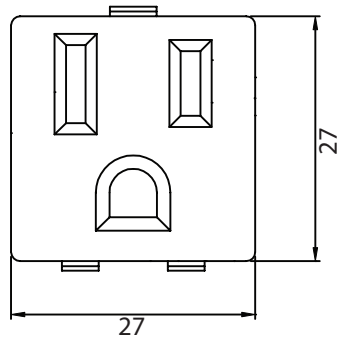
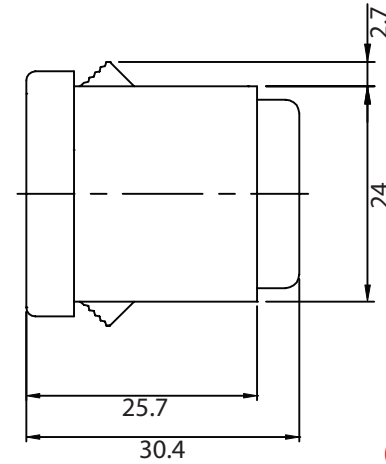
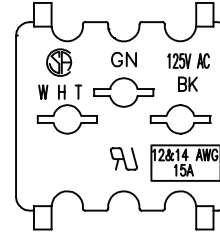
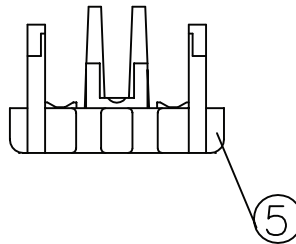
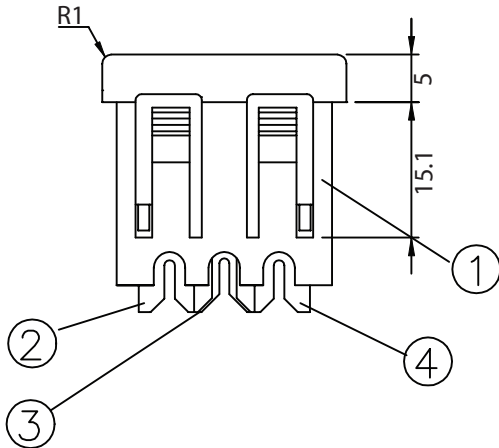


THESE DRAWINGS ARE THE PROPERTY OF QUALTEK ELECTRONICS AND NOT TO BE REPRODUCED FOR OR COMMUNICATED TO A THIRD PARTY WITHOUT THE EXPRESS WRITTEN PERMISSION OF AN OFFICER OF QUALTEK ELECTRONICS.

| REVISION |                 |          |          |
|----------|-----------------|----------|----------|
| REV.     | DESCRIPTION     | DATE     | APPROVED |
| B        | RoHS Compliancy | 06-01-06 | DP       |
|          |                 |          |          |



PANEL CUTOUT



**CONTROLLED**

NOTES:

RECOMMENDED TO USE 12 & 14 AWG  
 RATING: 15A 125V AC  
 APPROVALS: UL,CSA  
 PRODUCT SHIPPED UNASSEMBLED  
 RoHS COMPLIANT

|   |  |   |
|---|--|---|
| 5 | Cover back of the body, NYLON Black Color  | 1 |
| 4 | Contact PIN Bronze Strip t=0.4mm Cu-Plated | 1 |
| 3 | Contact PIN Bronze Strip t=0.4mm Cu-Plated | 1 |
| 2 | Contact PIN Bronze Strip t=0.4mm Ni-Plated | 1 |
| 1 | Body Insulator NYLON UL94V2 Black Color    | 1 |

| Dim range (mm) | Tolerance +/- (mm) | Qualtek Electronics Corp.<br>PPC DIVISION |                |                 |
|----------------|--------------------|---|----------------|-----------------|
|                |                    | Part Number: 739W-X2/01                   | RoHS Compliant |                 |
| 0-1            | 0.15               | Description: AC RECEPTACLE                |                |                 |
| 1-6            | 0.20               |   |                |                 |
| 6-18           | 0.30               | UNIT: mm                                  | REV. B         |                 |
| 18-50          | 0.50               | Drawn / Date                              | Checked / Date | Approved / Date |
| 50-120         | 0.70               | B.ZHANG<br>10-17-01                       | 10-17-01       | JJH / 10-17-01  |
| 120-250        | 0.90               |   |                |                 |
| 250-500        | 1.20               |   |                |                 |