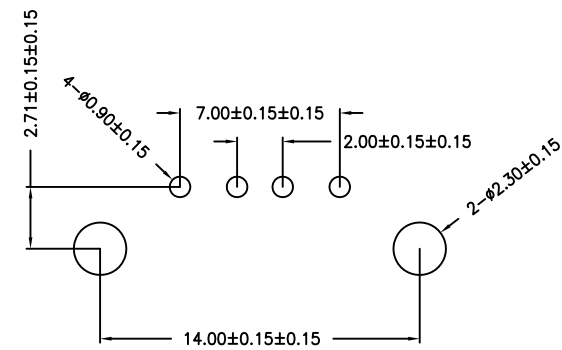
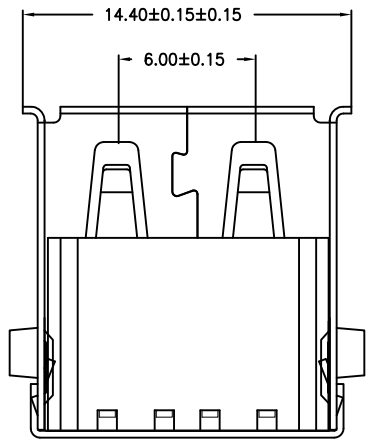
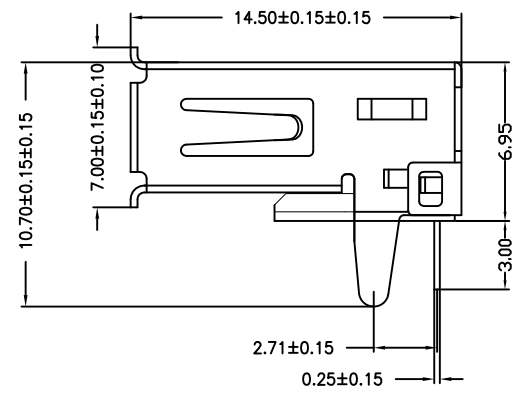
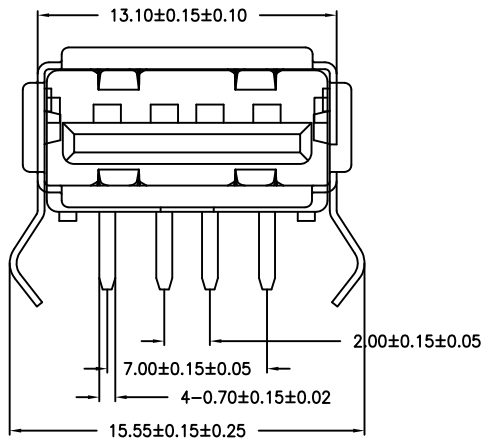


MAPX	MODIFICATION	DATE



RBCMMENDBD P.C.B PATTBRN LAYD UT

NOTES:  
Housing: Thermoplastics,UL94V-0  
Contact: Copper Alloy  
Shell: Copper Alloy/Steel  
Voltage Current Rating:1.5 AMP. 30V AC  
Insulation Resistance:1000MΩ Min.  
Contact Resistance:30 MΩ Max.  
Dielectric Withstanding Voltage:500W AC  
Temperature Range:-35°C to +85°C  
Insulator color: Black/White  
Plastic material:PBT/LCP/Others  
Shell finish:Nickel plated/Tin-Lead plated  
Mechanical:  
Mating Force:3.5KG MAX  
Unmating Force:0.7 KG MIN.  
Contact finish:  
01: Selective Gold Flash  
02: Selective Gold 3U”  
03: Selective Gold 5U”  
04: Selective Gold 15U”  
05: Selective Gold 30U”

产品图 PRODUCT CHART DWG				深圳市精拓金电子有限公司							
公差一览表 TOLERANCE UNLESS OTHERWISE				单位 UNITS	MM	制图 DRAWING	Z-Y-B	制图料号 PRODUCT PART NO.	901-132B1013D10211		
X.	±0.25	X.	±5.°	比例 SCALE	1:1	审核 CHKD		产品名称 PRODUCT NO.	AF90度外扣弯脚有边内弹铜壳 14.5反向一型加宽PBT白胶		
.X	±0.20	.X	±2.°	日期 DATE	2013.07.25	核准 APPD		角法 VIEW		版本 VER	A0
.XX	±0.15	.XX	±1.°								
.XXX	±0.10	.XXX	±0.5°								