

Series 79 Micro-Crimp Section H: Backshells and Accessories



799-011 STANDARD EMI BACKSHELL

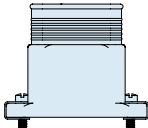
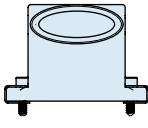
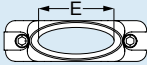

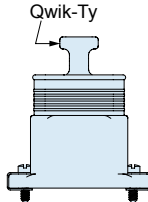
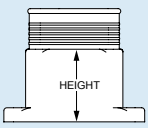
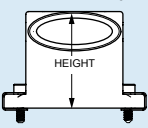


Terminate shield braid and strain relieve wire bundles with standard EMI backshells. These backshells fit 790-024P and 790-025S cable connectors. These one-piece backshells attach to connector with stainless steel clips. Terminate shields with **BAND-IT™** stainless steel straps. Elliptical cable entry provides room for large wire bundles. These machined T6061 aluminum backshells are supplied with two clips and mating hardware.

Component	Material	Finish
Backshell	Aluminum Alloy	See table below
Hardware	Stainless Steel	Passivated

How To Order

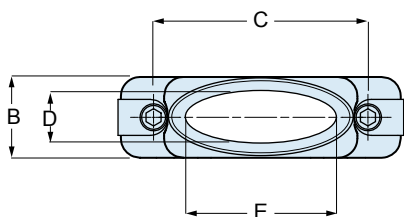
Sample Part Number

799-011T	M	C	03	B	N	T	06																																																								
Part Number	Shell Finish	Shell Size	Cable Entry Size	Mating Hardware	Band Option	Qwik-Ty Option	Height Code																																																								
 <p>799-011T Top Entry</p>  <p>799-011S Side Entry</p>	<p>M Electroless Nickel <i>general purpose applications</i></p> <p>MT Nickel-PTFE <i>1000 Hour Grey™ maximum corrosion protection and durability (non-reflective grey)</i></p> <p>ZNU Zinc-Nickel with Black Chromate <i>tactical applications (non-reflective black)</i></p> <p>Additional shell finishes are listed on page C-9.</p>	<p>A</p> <p>B</p> <p>C</p> <p>D</p> <p>E</p> <p>F</p> <p>G</p> <p>H</p> <p>J</p> <p>K</p> <p>L</p>	 <table border="1"> <thead> <tr> <th>Cable Entry Code</th> <th>E (In.)</th> <th>Shell Size</th> </tr> </thead> <tbody> <tr><td>01</td><td>.300</td><td>A-L</td></tr> <tr><td>02</td><td>.450</td><td>B-L</td></tr> <tr><td>03</td><td>.600</td><td>C-L</td></tr> <tr><td>04</td><td>.700</td><td>D-L</td></tr> <tr><td>05</td><td>.850</td><td>E-L</td></tr> <tr><td>06</td><td>.965</td><td>F-L</td></tr> <tr><td>07</td><td>1.155</td><td>H-L</td></tr> <tr><td>08</td><td>1.345</td><td>H-L</td></tr> <tr><td>09</td><td>1.460</td><td>K-L</td></tr> <tr><td>10</td><td>1.580</td><td>K-L</td></tr> <tr><td>11</td><td>1.760</td><td>K</td></tr> </tbody> </table>	Cable Entry Code	E (In.)	Shell Size	01	.300	A-L	02	.450	B-L	03	.600	C-L	04	.700	D-L	05	.850	E-L	06	.965	F-L	07	1.155	H-L	08	1.345	H-L	09	1.460	K-L	10	1.580	K-L	11	1.760	K	<p>B Fillister Head Jackscrews</p> <p>H Hex Socket Head Jackscrews</p> <p>E Extended Slotted Head Jackscrew</p> <p>F Female Jackpost</p>	<p>N No Band Supplied</p> <p>M BAND-IT™ Micro-Band Included. .125 (3.18) Wide.</p> <p>B BAND-IT™ Standard Band Included. .250 (6.35) Wide.</p> 	<p>N No Qwik-Ty</p> <p>T Qwik-Ty Option Included</p> 	<p>Top Entry</p>  <table border="1"> <thead> <tr> <th>Height Code</th> <th>Length (In.)</th> </tr> </thead> <tbody> <tr><td>06</td><td>.750</td></tr> <tr><td>07</td><td>.875</td></tr> <tr><td>08</td><td>1.000</td></tr> <tr><td>09</td><td>1.125</td></tr> <tr><td>10</td><td>1.250</td></tr> </tbody> </table> <p>Side Entry</p>  <table border="1"> <thead> <tr> <th>Height Code</th> <th>Length (In.)</th> </tr> </thead> <tbody> <tr><td>08</td><td>1.000</td></tr> <tr><td>09</td><td>1.125</td></tr> <tr><td>10</td><td>1.250</td></tr> </tbody> </table>	Height Code	Length (In.)	06	.750	07	.875	08	1.000	09	1.125	10	1.250	Height Code	Length (In.)	08	1.000	09	1.125	10	1.250
				Cable Entry Code	E (In.)	Shell Size																																																									
				01	.300	A-L																																																									
				02	.450	B-L																																																									
				03	.600	C-L																																																									
				04	.700	D-L																																																									
				05	.850	E-L																																																									
				06	.965	F-L																																																									
				07	1.155	H-L																																																									
				08	1.345	H-L																																																									
				09	1.460	K-L																																																									
10	1.580	K-L																																																													
11	1.760	K																																																													
Height Code	Length (In.)																																																														
06	.750																																																														
07	.875																																																														
08	1.000																																																														
09	1.125																																																														
10	1.250																																																														
Height Code	Length (In.)																																																														
08	1.000																																																														
09	1.125																																																														
10	1.250																																																														

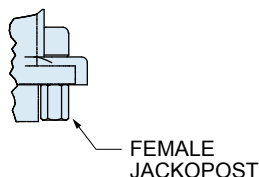
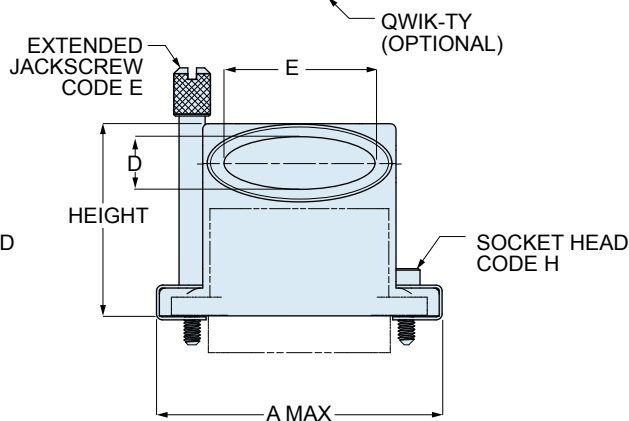
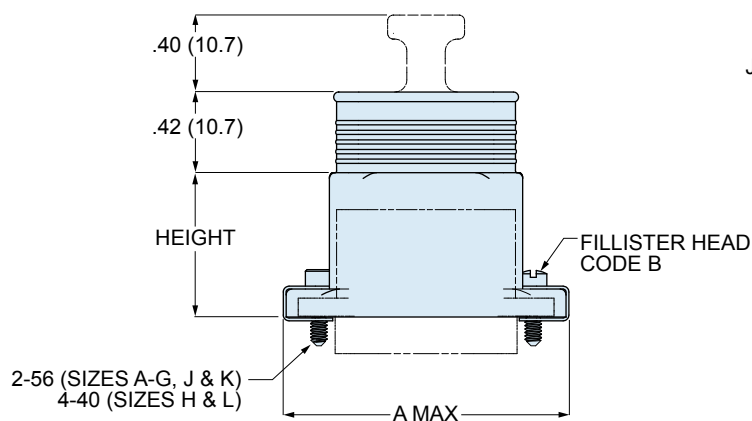
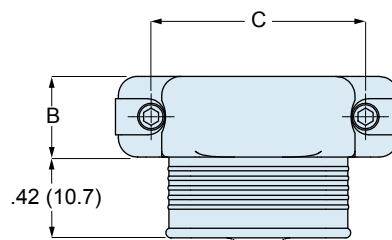
Dimensions in inches (millimeters) and are subject to change without notice.

799-011 STANDARD EMI BACKSHELL

STYLE T - TOP ENTRY



STYLE S - SIDE ENTRY



799-011 DIMENSIONS

Shell Size	A Max.		B Max.		C		D		Available Entries
	In.	mm.	In.	mm.	In.	mm.	In.	mm.	
A	.935	23.75	.450	11.43	.565	14.35	.300	7.62	01
B	1.085	27.56	.450	11.43	.715	18.16	.300	7.62	01 thru 02
C	1.235	31.37	.450	11.43	.865	21.97	.300	7.62	01 thru 03
D	1.335	33.91	.450	11.43	.965	24.51	.300	7.62	01 thru 04
E	1.485	37.72	.450	11.43	1.115	28.32	.300	7.62	01 thru 05
F	1.635	41.53	.450	11.43	1.265	32.13	.300	7.62	01 thru 06
G	1.585	40.26	.533	13.54	1.215	30.86	.383	9.73	01 thru 06
H	2.320	58.93	.560	14.22	1.800	45.72	.410	10.41	01 thru 08
J	1.990	50.55	.450	11.43	1.615	41.02	.300	7.62	01 thru 08
K	2.385	60.58	.450	11.43	2.015	51.18	.300	7.62	01 thru 11
L	2.556	64.92	.560	14.22	2.036	51.71	.410	10.41	01 thru 10

ENTRY SIZE

Code	E		Available Sizes
	In.	mm.	
01	.300	7.62	A thru L
02	.450	11.43	B thru L
03	.600	15.24	C thru L
04	.700	17.78	D thru L
05	.850	21.59	E thru L
06	.965	24.51	F thru L
07	1.155	29.34	H thru L
08	1.345	34.16	H thru L
09	1.460	37.08	K, L
10	1.581	40.16	K, L
11	1.760	44.70	K

Dimensions in inches (millimeters) and are subject to change without notice.