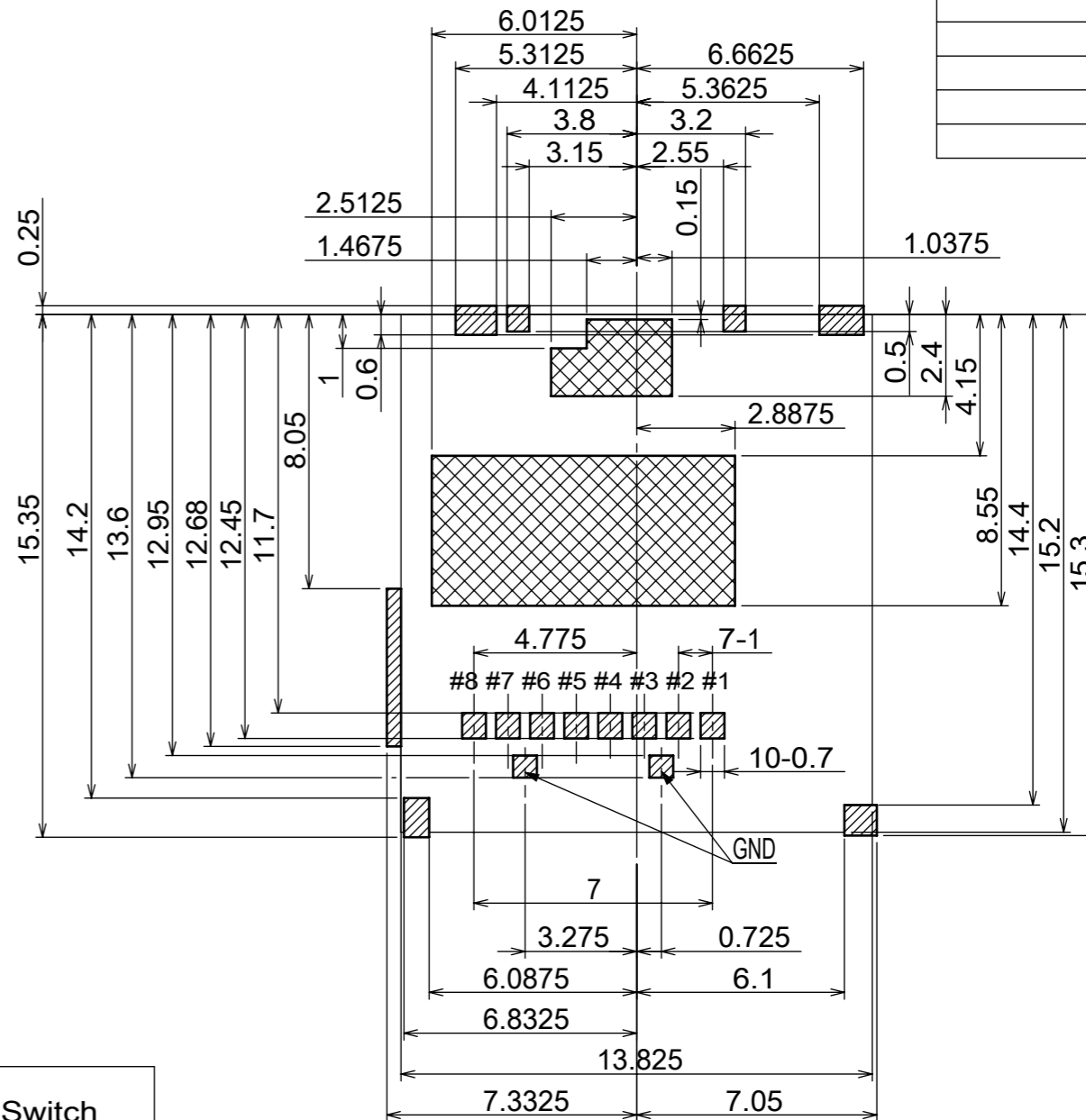
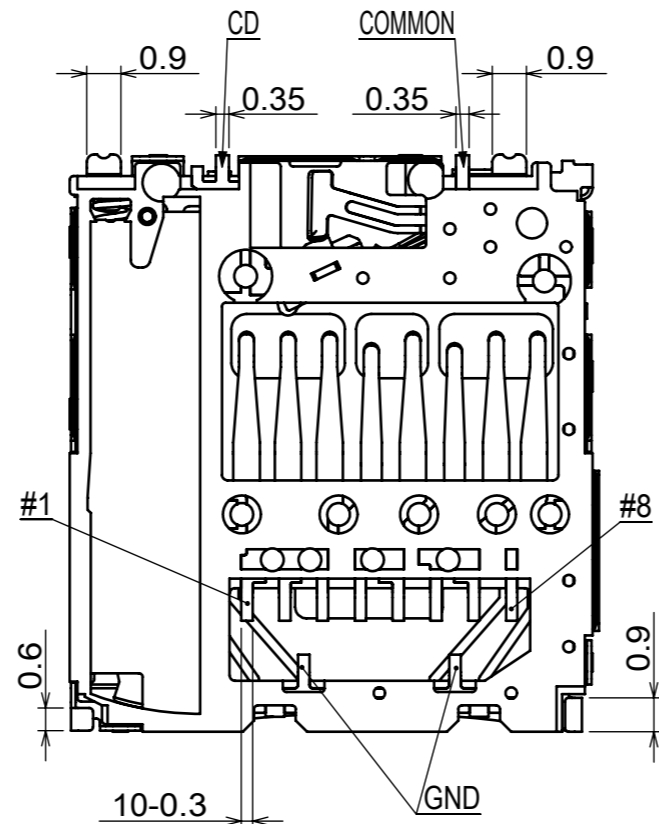
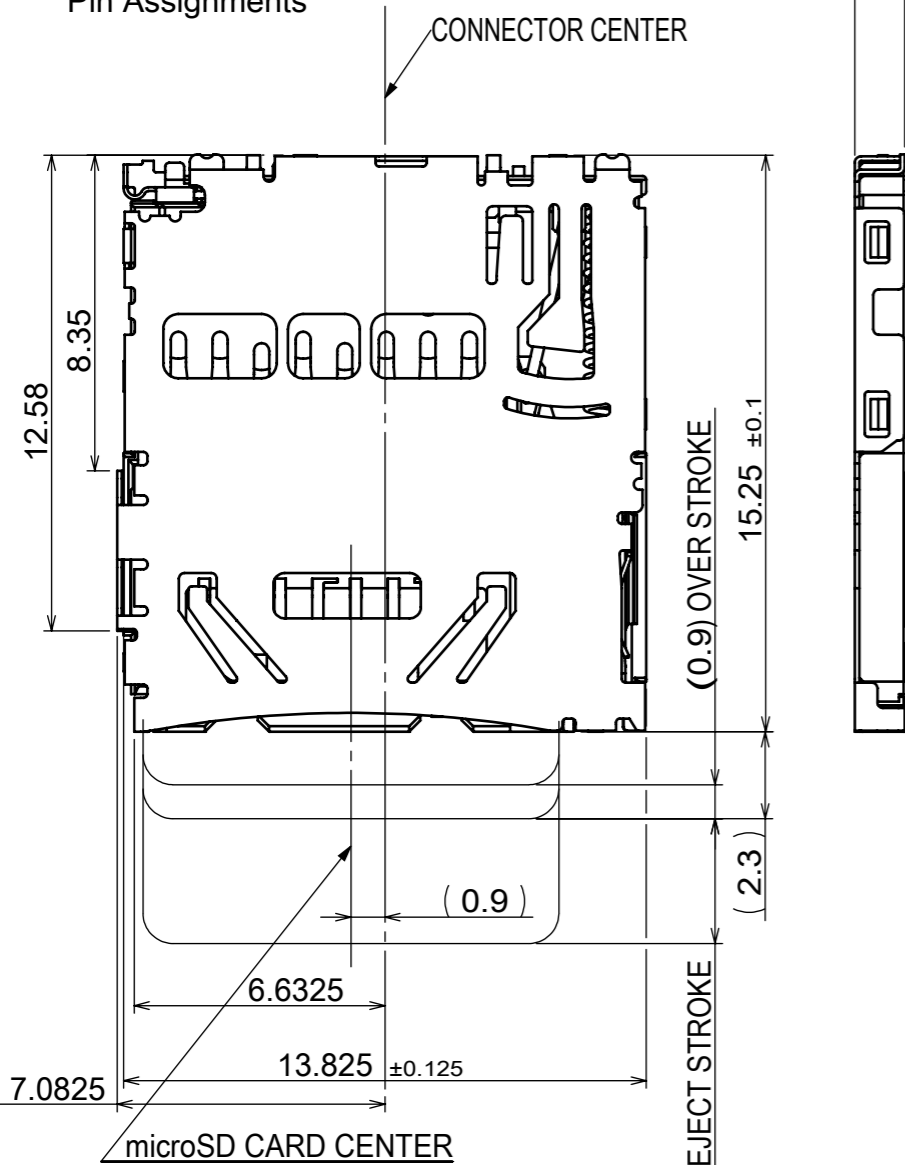


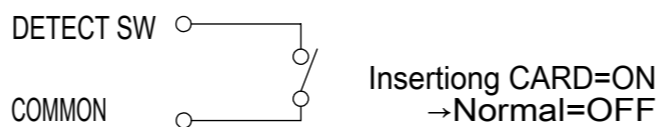
PIN	SD Mode
#1	DAT2
#2	DAT3/CD
#3	CMD
#4	V <sub>DD</sub>
#5	CLK
#6	V <sub>SS</sub>
#7	DAT0
#8	DAT1

Pin Assignments

背景  
BACK GROUND  
SCHA4B0415



Circuit Diagram for Detect Switch



- PATTERN AREA
- NO PATTERN EXPOSED AREA
- NO PATTERN AREA

RECOMMENDED P.C.BOARD LAYOUT  
TOLERANCES UNLESS OTHERWISE SPEC. ±0.05



Ni plating  
(Niメッキ部)

VIEW A

VIEW B

**ALPS ELECTRIC CO., LTD.**

TOLERANCES UNLESS OTHERWISE SPEC

BASIC DIMENSIONS	TOLERANCES
UP TO 10	±0.3
ABOVE 10 TO 100	±0.5
ABOVE 100	±0.8
ANGULAR DIMENSION	±5°

DSGD. 13.Nov.2012  
K.Yamazaki

SCALE NO.  
SCHA4B0415

CHKD. 13.Nov.2012  
M.Aita

TITLE  
PRODUCT DRAWING (1/2)

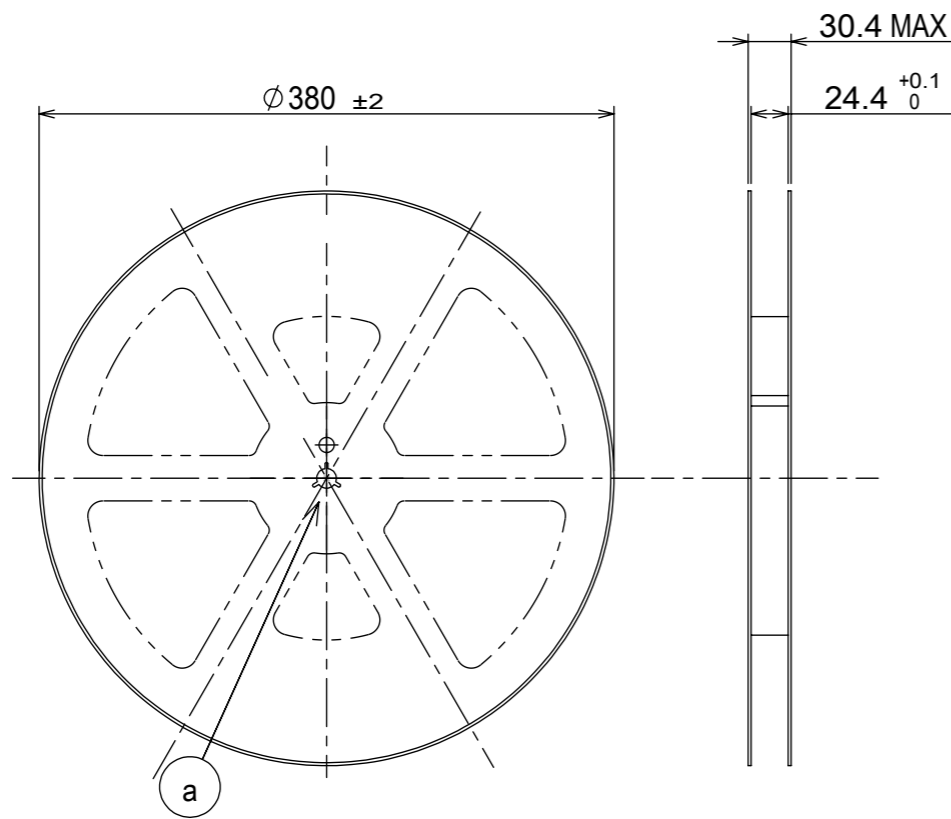
APPD. 13.Nov.2012  
M.Aita

UNIT DOCUMENT NO.  
mm SCHA4B0415,AE12,00

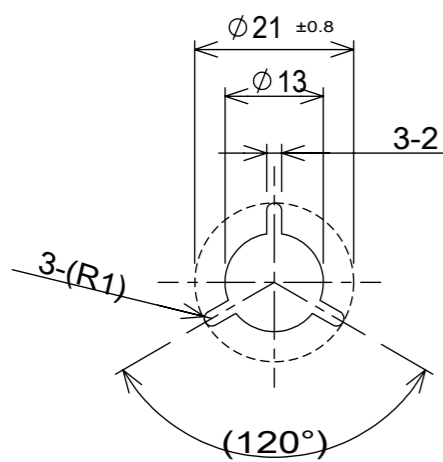
2.All terminal coplanarity : 0.1mm max.(INITIAL)  
NOTE 1.This connector is standard mount type.

SYMB DATE APPD CHKD DSGD

REEL CORE(1:5)

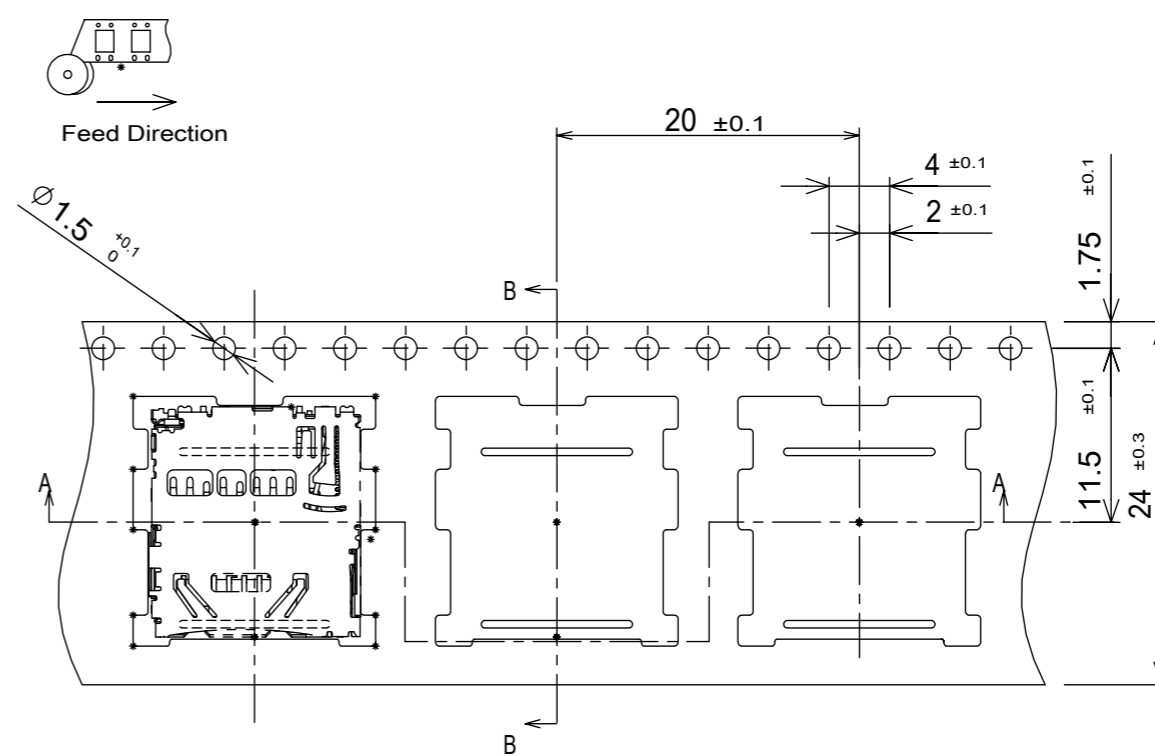


DETAIL a (1:1)

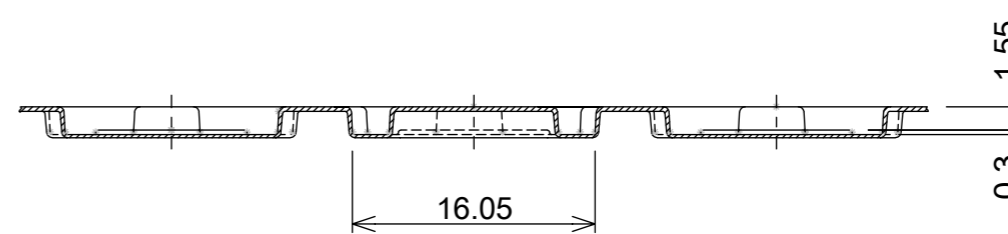
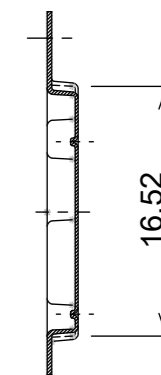


2. 2000pcs/reel  
 1. SPECIFICATION OF TAPING:TAPE-S-029  
 NOTE

CARRIE TAPE(2:1)



SECT B-B



SECT A-A

**ALPS ELECTRIC CO., LTD.**

TOLERANCES UNLESS OTHERWISE SPEC		SYMB	DATE	APPD	CHKD	DSGD
BASIC DIMENSIONS	TOLERANCES					
UP TO 10	±0.3					
ABOVE 10 TO 100	±0.5					
ABOVE 100	±0.8					
ANGULAR DIMENSION	±5°					

DSGD.	13.Nov.2012 K.Yamazaki	SCALE	
CHKD.	13.Nov.2012 M.Aita		TITLE
APPD.	13.Nov.2012 M.Aita		TAPING PRODUCT DRAWING (2/2)
		UNIT	DOCUMENT NO.
		mm	SCHA4B0415,AE22,00

NO.	SCHA4B0415
TITLE	TAPING PRODUCT DRAWING (2/2)
DOCUMENT NO.	SCHA4B0415,AE22,00