



MCX Jack Bulkhead Connector Crimp/Solder  
 Attachment For RG179, RG187, .177 inch D Hole

TECHNICAL DATA SHEET

PE44301

**MCX Jack Bulkhead Connector Crimp/Solder Attachment For RG179, RG187, .177 inch D Hole**

**Configuration**

Connector	MCX Jack
Connector Specification	MIL-C-39012
Connector Interface Type	RG179, RG187
Cable Attachment Method (Shield/Contact)	Crimp/Solder
Body Style	Straight
Mount Method	Bulkhead

**Electrical Specifications**

Frequency Range, GHz	DC to 6
Impedance, Ohms	75
Maximum VSWR	1.37:1
Maximum Operating Voltage, Volts	335
Dielectric Withstanding Voltage, Vrms	1,000

**Frequency 1**

Frequency, MHz	DC to 1,000
VSWR	1.17:1
Insertion Loss, dB	0.1

**Mechanical Specifications**

**Temperature**

Operating Range, deg C	-65 to +165
------------------------	-------------

**Size**

Length, in [mm]	0.837 [21.26]
Width/Dia., in [mm]	0.25 [6.35]
Weight, lbs [g]	0.006 [2.72]

**Connector**

Type	MCX Jack
Mating Cycles	500
Contact Material and Plating	Beryllium Copper, Gold
Contact Plating Specification	30µ in minimum
Body Material and Plating	Brass, Gold
Body Plating Specification	10µ in minimum
Dielectric Type	Teflon

Click the following link (or enter part number in "SEARCH" on website) to obtain additional part information including price, inventory and certifications: [MCX Jack Bulkhead Connector Crimp/Solder Attachment For RG179, RG187, .177 inch D Hole PE44301](#)

The information contained in this document is accurate to the best of our knowledge and representative of the part described herein. It may be necessary to make modifications to the part and/or the documentation of the part, in order to implement improvements. Pasternack reserves the right to make such changes as required. Unless otherwise stated, all specifications are nominal.





MCX Jack Bulkhead Connector Crimp/Solder  
Attachment For RG179, RG187, .177 inch D Hole

TECHNICAL DATA SHEET

PE44301

**Compliance Certifications** (visit [www.Pasternack.com](http://www.Pasternack.com) for current document)

**Plotted and Other Data**

Notes:

Values at 25 °C, sea level

MCX Jack Bulkhead Connector Crimp/Solder Attachment For RG179, RG187, .177 inch D Hole from Pasternack Enterprises has same day shipment for domestic and International orders. Our RF, microwave and fiber optic products maintain a 99% availability and are part of the broadest selection in the industry.

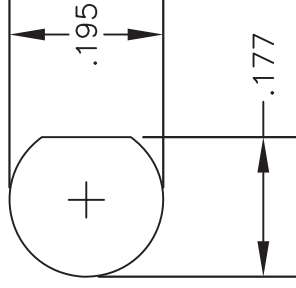
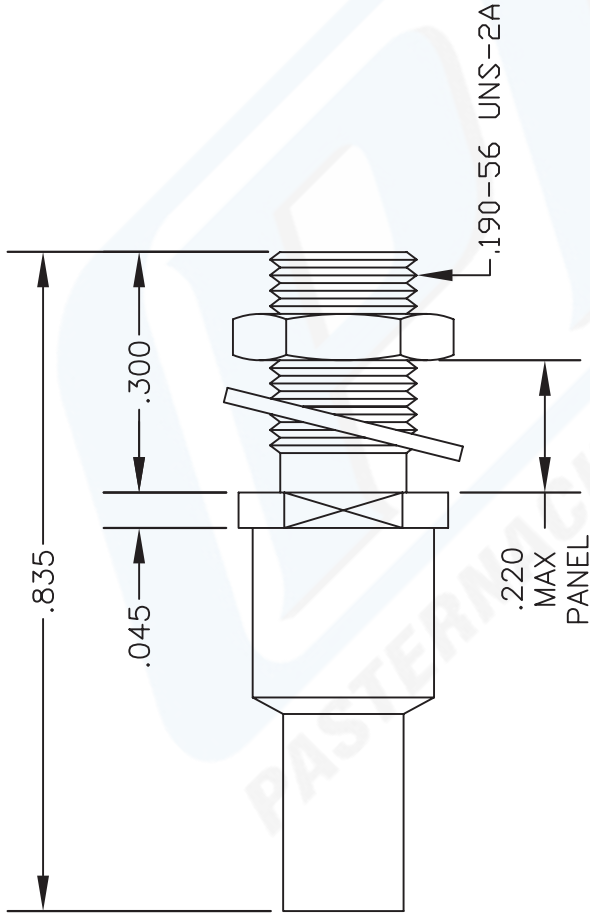
Click the following link (or enter part number in "SEARCH" on website) to obtain additional part information including price, inventory and certifications: [MCX Jack Bulkhead Connector Crimp/Solder Attachment For RG179, RG187, .177 inch D Hole PE44301](http://www.pasternack.com/mcx-jack-standard-rg179-rg187-connector-pe44301-p.aspx)

URL: <http://www.pasternack.com/mcx-jack-standard-rg179-rg187-connector-pe44301-p.aspx>

The information contained in this document is accurate to the best of our knowledge and representative of the part described herein. It may be necessary to make modifications to the part and/or the documentation of the part, in order to implement improvements. Pasternack reserves the right to make such changes as required. Unless otherwise stated, all specifications are nominal.

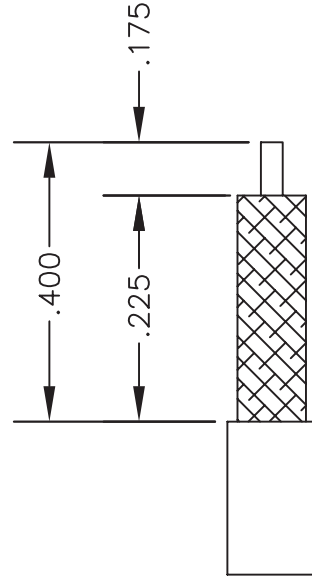
**MATERIALS**

BODY	BRASS GOLD PLATED
CONTACT	GOLD PLATED
INSULATOR	PTFE



ASSEMBLY PROCEDURES

1. SLIDE FERRULE ONTO CABLE STRIP CABLE AS SHOWN & TIN CENTER CONDUCTOR.
2. INSERT DIELECTRIC AND CENTER CONDUCTOR INTO BODY. SOLDER CENTER CONDUCTOR THROUGH HOLE IN BODY. REMOVE EXCESS SOLDER. SLIDE FERRULE FORWARD & CRIMP.



STRIPPING DIMENSIONS



**PASTERNAK ENTERPRISES, INC.**  
 P O BOX 16759, IRVINE, CA 92623  
 PHONE (949) 261-1920 FAX (949) 261-7451  
 WEB ADDRESS: www.pasternack.com  
 E-MAIL ADDRESS: sales@pasternack.com  
**COAXIAL & FIBER OPTICS**

DWG TITLE

**PE44301**

DES. "75 OHM MCX" JACK BULKHEAD CRIMP ATTACHMENT FOR RG179 & RG187

SIZE A	FSCM NO. 53919	CAD FILE	070802	SCALE	N/A	127
--------	----------------	----------	--------	-------	-----	-----

**NOTES:**

1. UNLESS OTHERWISE SPECIFIED ALL DIMENSIONS ARE NOMINAL.
2. ALL SPECIFICATIONS ARE SUBJECT TO CHANGE WITHOUT NOTICE AT ANY TIME.