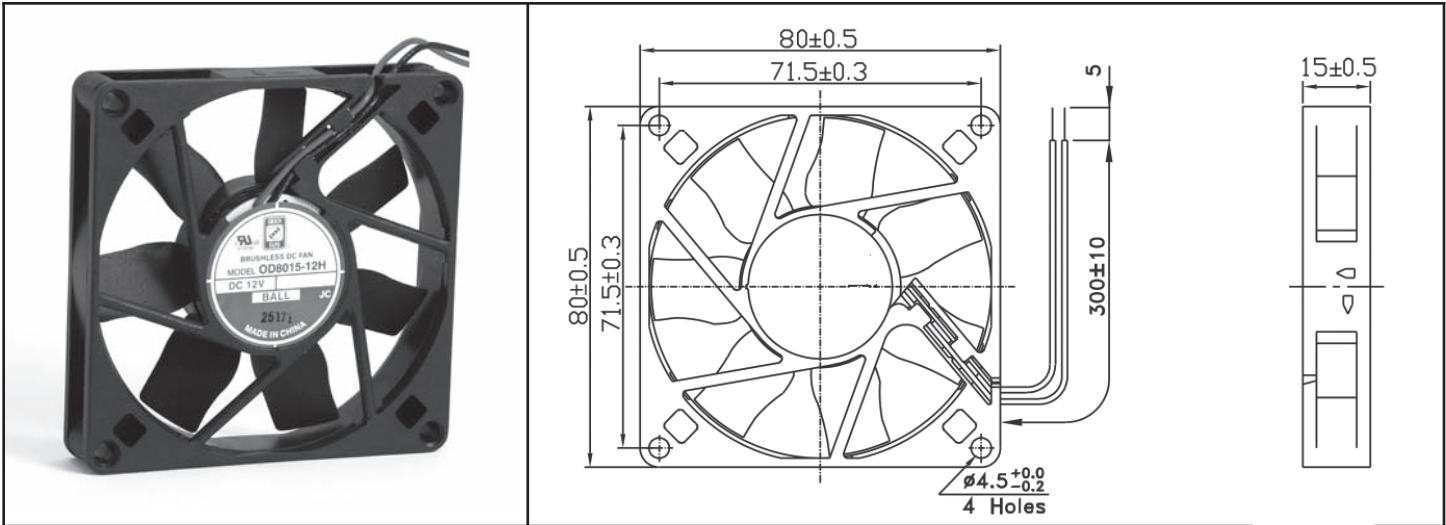


OD8015 Series



DC Fan - 12, 24V
80x15mm (3.15"x 0.59")



Frame & Impeller	PBT, UL94V-O plastic	Available Options: Tachometer (FG) Alarm (RD) Life Expectancy (L10) Ball - 60,000 hrs (45C) Sleeve - 30,000 hrs (45C) Operating Temperature Ball: -20 ~ 80C Sleeve: -10 ~ 50C	
Connection	2x Lead wires 26AWG		
Motor	Brushless DC, auto restart, impedance and polarity protected		
Bearing System	Ball bearing or Sleeve		
Insulation Resistance	10M ohm between leadwire and frame (500VDC)		
Dielectric Strength	1 second at 500 VAC, max leakage - 500 MicroAmp		
Storage Temperature	-30C ~ +90C		

Model Number	Speed (RPM)	Airflow (CFM)	Noise (dB)	Volts DC	Voltage Range (VDC)	Amps	Max. Static Pressure ("H2O)
OD8015-12H*	3200	30	33	12	8~16	0.09	0.11
OD8015-12M*	2500	23	26	12	8~16	0.05	0.07
OD8015-12L*	2000	20	20	12	8~16	0.03	0.05
OD8015-24H*	3200	30	33	24	18~28	0.04	0.11
OD8015-24M*	2500	23	26	24	18~28	0.08	0.07

* Indicate "B" for ball bearing or "S" for sleeve bearing