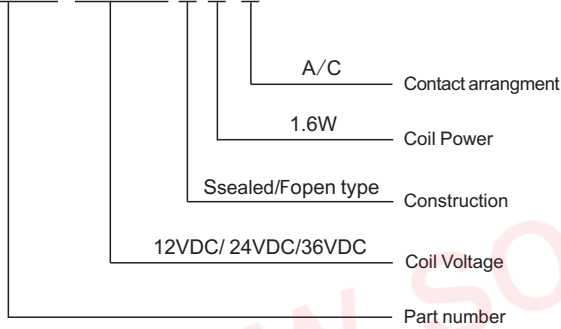


Features

- 30A/40 switching capability
- Ambient temperature: +85°C/+125°C
- Low coil power consumption with excellent performance
- Both sealed and open type available
- European type

Ordering Information

SLBA-12VDC-S L-C



Contact Rating

Contact arrangement	A / C
Voltage drop	100 mΩ Max
Contact material	Silver alloy: AgCdO、AgSnO ₂ 、AgNi
Contact rating	NO:40A 14VDC NC:30A 14VDC
Max switching voltage	30VDC
Max switching current	40A
Max switching power	560W
Electrical endurance (frequency: 1800 ops/h)	1x10 ⁵ ops/1x10 ⁴ ops
Mechanical endurance (frequency: 18000 ops/h)	1x10 ⁷ ops

Characteristics

Insulation system	Class B / Class F	
Insulation resistance	100MΩ (500VDC)	
Dielectric Strength	Between contacts and coil	750VAC 1minute
	Between open contacts	750VAC 1minute
Operate time(Under nominal voltage)	≤10ms	
Release time(Under nominal voltage)	≤10ms	
Humidity	85% RH (20°C)	
Ambient Temperature	-40°C~+85°C/-40°C~+125°C	
Shock resistance	Functional	98m/s ²
	Destructive	980m/s ²
Vibration resistance (Double amplitude)	10Hz~55Hz 1.5mm	
Weight	Approx 19g	
Construction	Sealed and open type	

Remark:1)All above data is initial value

Coil Data

(at 20°C)

Power dissipation W	Voltage VDC	Current mA	Resistance Ω ± 10%	Pick-up voltage	Drop-out voltage	Max allowable
1.6W	12	133.33	90	75%Max	10%Min	130%
	24	66.67	360			
	36	44.44	810			

This product specification only for your reference, we will not notify you if we do any improvement. We reserve all the right for the final explanation



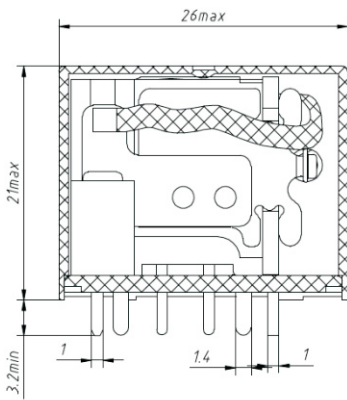
Web: www.songle.com www.songlerelay.com

Add.: CW7, Zone A, Far East Industrial Park, Yuyao City, Zhejiang, China Zip Code: 315400

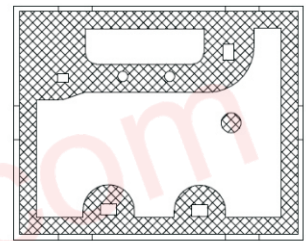
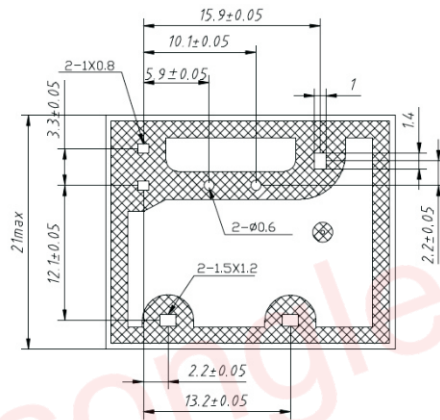
OUTLINE DIMENSIONS , WIRING DIAGRAM AND PC BOARD LAYOUT

Unit:mm

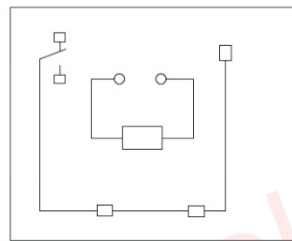
Physical installation dimension diagram



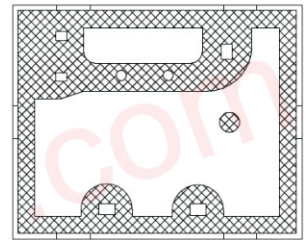
PCB board diagram (bottom view diagram)



A



Electrical diagram



C

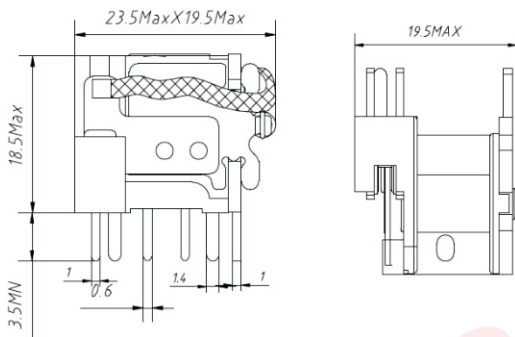
Tolerance: ± 0.1

This product specification only for your reference, we will not notify you if we do any improvement. We reserve all the right for the final explanation

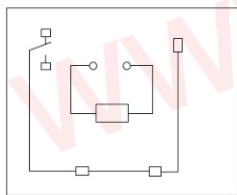
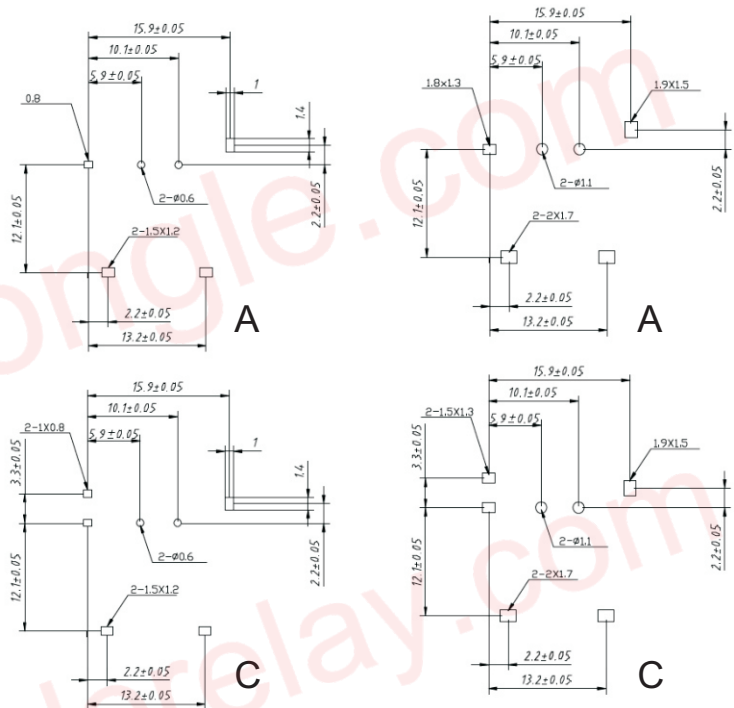
OUTLINE DIMENSIONS , WIRING DIAGRAM AND PC BOARD LAYOUT

Unit:mm

Physical installation dimension diagram



PCB board diagram (bottom view diagram)



Electrical diagram

Tolerance: ± 0.1

This product specification only for your reference, we will not notify you if we do any improvement. We reserve all the right for the final explanation



Web: www.songle.com www.songlerelay.com

Add.: CW7, Zone A, Far East Industrial Park, Yuyao City, Zhejiang, China Zip Code: 315400