

PLEASE CHECK WWW.MOLEX.COM FOR LATEST PART INFORMATION

Part Number: [0351870390](#)
Status: **Active**
Description: 1.78mm (.070") Tab 6.20/9.00mm (.244/.354") Pitches TPA™, 3 Circuits, Vertical

Documents:

[Drawing \(PDF\)](#) [RoHS Certificate of Compliance \(PDF\)](#)
[Product Specification PS-35150-001 \(PDF\)](#)

General

| | |
|----------------|---------------------------|
| Product Family | Accessories |
| Series | 35187 |
| Component Type | Retainer |
| Product Name | TPA™ - Term Pos Assurance |

Physical

| | |
|-------------------------------|-----------------|
| Circuits (Loaded) | 3 |
| Color - Resin | Natural |
| Lock to Mating Part | Yes |
| Material - Resin | Nylon |
| Number of Rows | 1 |
| Packaging Type | Bag |
| Temperature Range - Operating | -40°C to +120°C |

Material Info

Reference - Drawing Numbers

| | |
|-----------------------|---------------|
| Product Specification | PS-35150-001 |
| Sales Drawing | SD-35187-0390 |

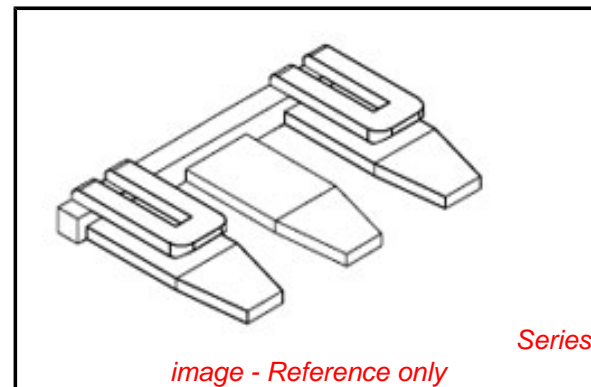


image - Reference only

EU RoHS

**ELV and RoHS
Compliant**
**REACH SVHC
Contains SVHC: No**
**Halogen-Free
Status**

China RoHS



**Need more information on product
environmental compliance?**

Email productcompliance@molex.com
 For a multiple part number RoHS Certificate of Compliance, [click here](#)

Please visit the [Contact Us](#) section for any non-product compliance questions.

Search Parts in this Series

[35187Series](#)

Use With

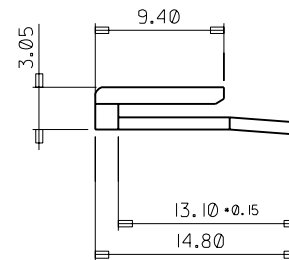
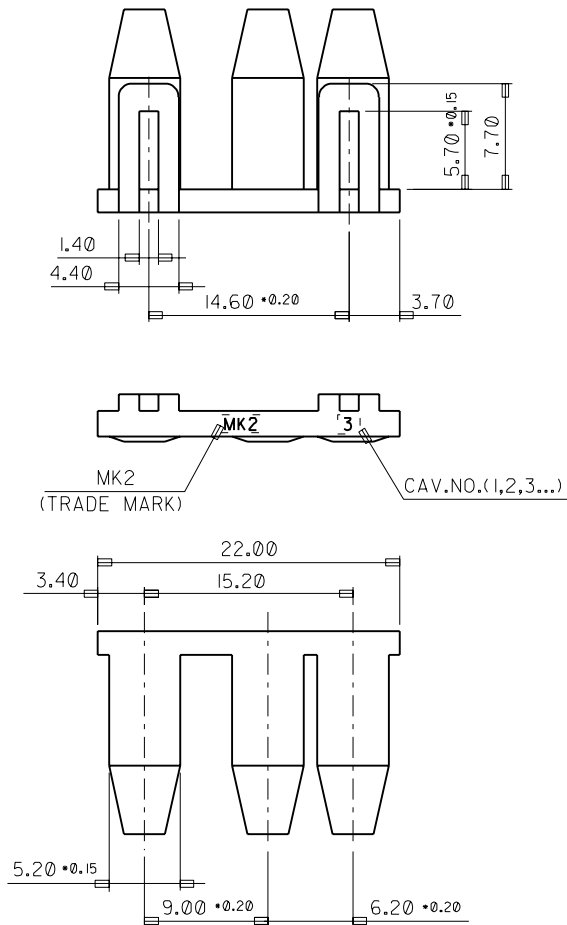
[35186 Wire-to-Wire Female Housing](#)

PROJECT NO.

SIMILAR ITEM

EDP NO.

ENG. NO SD 35187-0390



- NOTES
1. COLOR: NATURAL
 2. APPLICABLE HOUSING: 35186-0610

| | | | | | | | |
|-------------------------------|--|--|--|---|--|------------------------|--|
| | | | | MATERIAL PA66,UL94V-2 | | MOLEX-KOREA CO.,LTD. | |
| | | | | GENERAL TOLERANCE DIMENSION : ±0.25 | | DRAWN BY W.Y.YANG | |
| | | | | ANGLE : $\frac{1}{2}$ | | CHK'D BY | |
| | | | | DIMENSION CLASSIFICATION ▽ : CRITICAL ▼ : MAJOR () : REFERENCE | | APP'D BY | |
| A NEW RELEASED 95-119 95.11.8 | | | | DATE | | SCALE 3:1 | |
| LTR REVISION RECORD ECN | | | | DESCRIPTION | | TITLE : | |
| | | | | ASS'Y PART | | .070 MR T.P.A-3P | |
| | | | | ENG. NO. | | SHEET 1/1 | |
| REVISE ONLY ON CAD SYSTEM | | | | | | ENG. NO. SD 35187-0390 | |
| | | | | | | REV A | |