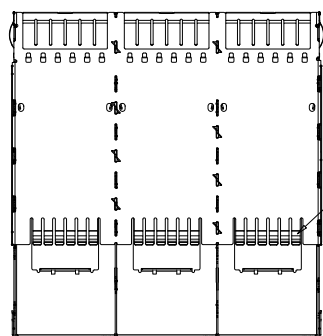
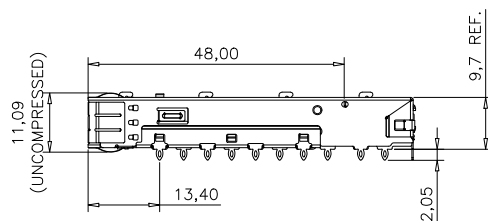
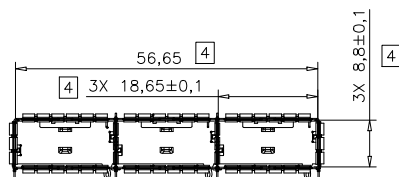
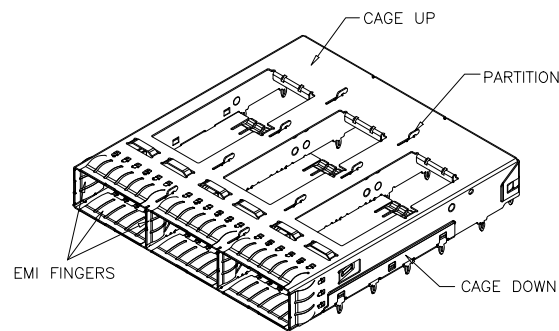
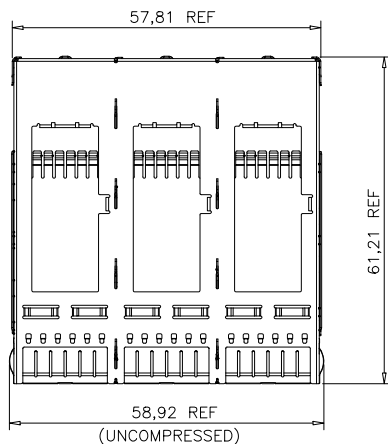
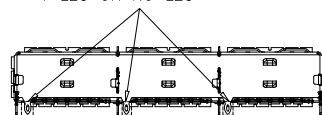


REV.	ECN. NO.	NAME	DATE



UNDER BELLY EMI FINGERS

REAR LEGS ARE OPTIONAL:  
1 LEG OR NO LEG



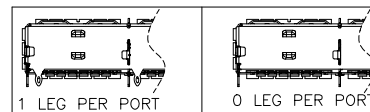
- MATERIALS:  
CAGE UP: STAINLESS STEEL, 0.25 THICKNESS  
CAGE DOWN: STAINLESS STEEL, 0.25 THICKNESS  
PARTITION: STAINLESS STEEL  
EMI FINGERS: STAINLESS STEEL  
HEATSINK: ALUMINUM  
HEATSINK CLIP: STAINLESS STEEL  
LIGHT PIPE MATERIAL: CLEAR POLYCARBONATE  
CAP: HIGH TEMPERATURE THERMOPLASTIC 94V-0, BLACK

- SURFACE FINISH:  
BODY CAGE: CLEANING  
EMI SPRING FINISH: CLEANING AND HOLE SEALING  
HEATSINK FINISH: BLACK ANODIZED  
HEATSINK CLIP FINISH: CLEANING
- MATE WITH QSFP MSA COMPATIBLE TRANSCEIVER.
- INSIDE SURFACE OF CASKET WHEN FULLY COMPRESSED.
- REFERENCE DOCUMENTS:  
PRODUCT SPECIFICATION: SFF-8663
- THIS PRODUCT COMPLY TO ROHS DIRECTIVE 2011/65/EU.

**S138 X X X 1 X**  
1 2 3 4

- REAR LEGS:  
0=W/O REAR LEG  
1=W/ 1 REAR LEG
- LIGHT PIPE & CAP OPTION:  
0=W/O Light Pipe, W/O CAP  
1=W/ Light Pipe, W/O CAP  
2=W/ Light Pipe, W/ CAP
- LIGHT PIPE DIM "A" & PLATING OPTION:  
0=W/O Light Pipe  
1=DIM A=10.7mm, W/O Silver Color plating  
2=DIM "A"=9.7mm, W/O Silver Color plating  
3=DIM A=10.7mm, W/Silver Color plating  
4=DIM "A"=9.7mm, W/Silver Color plating
- PROCESS OPTION:  
0=W/O Heatsink, Open Top  
1=W/PCI(Heatsink 4.2mm)  
2=W/SAN(Heatsink 6.5mm)  
3=W/Networking(Heatsink 13.5mm)

REAR LEGS OPTIONALS



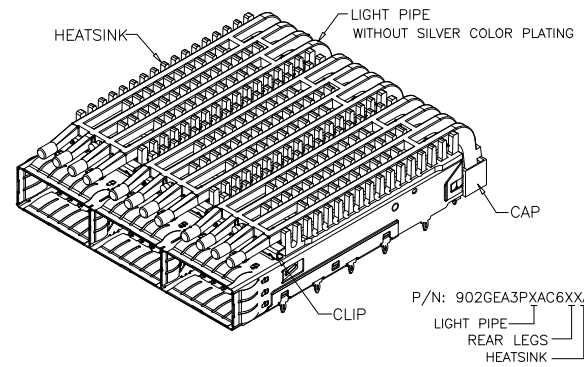
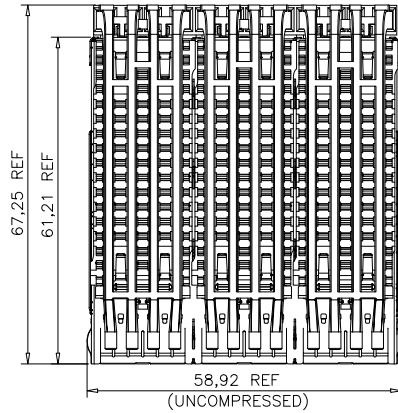
REMARK: APPLIES TO ALL CAGES IN THIS DRAWING

**RoHS Compliant**

TOLERANCE UNSPECIFIED		<b>VITALCON</b> a vital connector company		FOR YOUR VITAL CONNECTION	
.0	± 0.38			TITLE: QSFP+28G 1X3 CAGE	
.00	± 0.25	DRAWN BY: BECKER	PART NO: S138 X X X 1 X	REV: A	
.000	± 0.10	CHECKED BY: VTA	SIZE: A4	UNIT:mm	SHEET:10F7
ANGLE	± 3.00°	APPROVED BY: QPF	PROJECTION	http://www.vitalconn.com	
MANUFACTURING COPY					

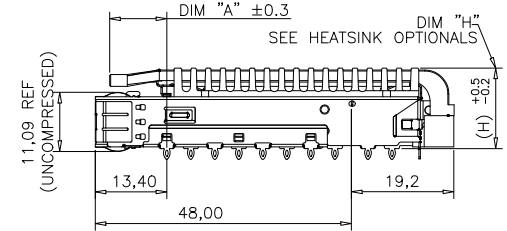
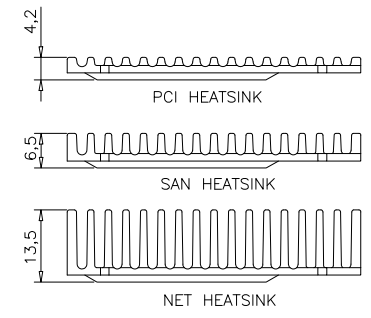
REV.	ECN. NO.	NAME	DATE

WITH HATSINK, WITH QUAD LIGHT PIPE AND CAP  
 LIGHT PIPE WITHOUT SILVER COLOR PLATING



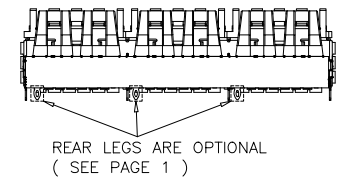
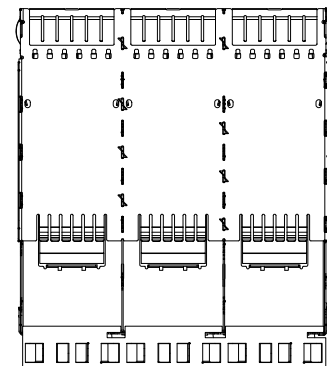
HEATSINK OPTIONS

OVERALL HEATSINK HEIGHT	DIM "H"	
	BEFORE MODULE INSTALLING	AFTER MODULE INSTALLING
PCI HS (4.2mm)	12.8	13.7
SAN HS (6.5mm)	15.1	16.0
NET HS (13.5mm)	22.1	23.0



PART NUMBER SELECTION

10.7	NET(13.5mm)	1	W/ CAP
9.7	NET(13.5mm)	1	W/ CAP
10.7	SAN(6.5mm)	1	W/ CAP
9.7	SAN(6.5mm)	1	W/ CAP
10.7	PCI(4.2mm)	1	W/ CAP
9.7	PCI(4.2mm)	1	W/ CAP
10.7	NET(13.5mm)	0	W/ CAP
9.7	NET(13.5mm)	0	W/ CAP
10.7	SAN(6.5mm)	0	W/ CAP
9.7	SAN(6.5mm)	0	W/ CAP
10.7	PCI(4.2mm)	0	W/ CAP
9.7	PCI(4.2mm)	0	W/ CAP
DIM A	HEAT SINK	REAR LEGS OPTIONALS	CAP OPTIONALS

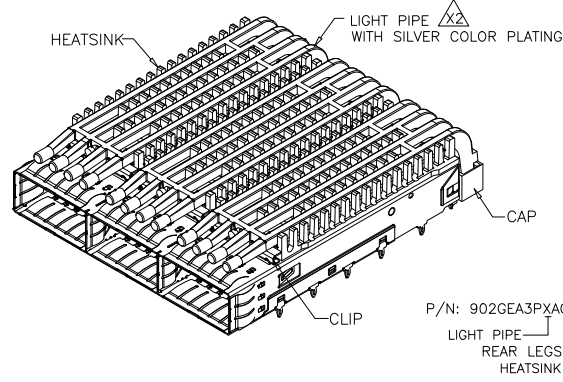
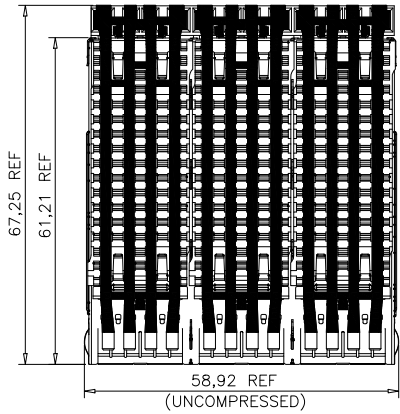


RoHS Compliant

TOLERANCE UNSPECIFIED		<b>VITALCON</b> a vital connector company		FOR YOUR VITAL CONNECTION	
.0	± 0.38			TITLE: QSFP+28G 1X3 CAGE	
.00	± 0.25	DRAWN BY:	BECKER	PART NO:	S138 X X X 1 X
.000	± 0.10	CHECKED BY:	VTA	SIZE: A4	UNIT:mm
ANGLE	± 3.00°	APPROVED BY:	QPF	PROJECTION	⊕
MANUFACTURING COPY				SHEET:20F7	
				REV: A	
				FCN: A4	
				http://www.vitalconn.com	

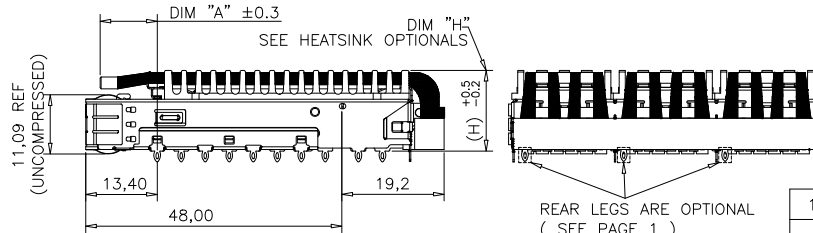
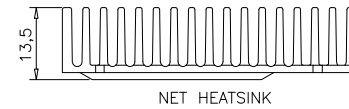
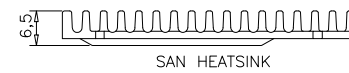
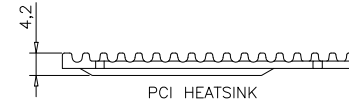
REV.	ECN. NO.	NAME	DATE

WITH HATSINK, WITH QUAD LIGHT PIPE AND CAP  
 LIGHT PIPE WITH SILVER COLOR PLATING



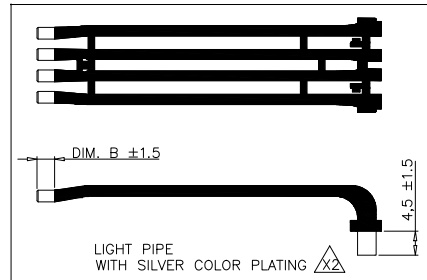
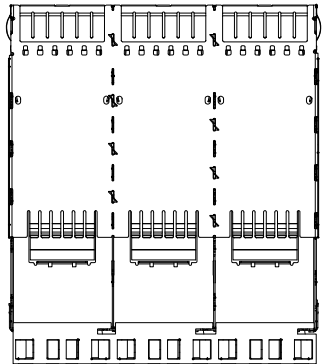
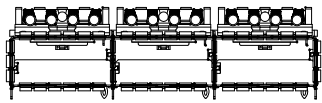
HEATSINK OPTIONS

OVERALL HEATSINK HEIGHT	DIM "H"	
	BEFORE MODULE INSTALLING	AFTER MODULE INSTALLING
PCI HS (4.2mm)	12.8	13.7
SAN HS (6.5mm)	15.1	16.0
NET HS (13.5mm)	22.1	23.0



PART NUMBER SELECTION

10.7	NET(13.5mm)	1	W/ CAP	
9.7	NET(13.5mm)	1	W/ CAP	
10.7	SAN(6.5mm)	1	W/ CAP	
9.7	SAN(6.5mm)	1	W/ CAP	
10.7	PCI(4.2mm)	1	W/ CAP	
9.7	PCI(4.2mm)	1	W/ CAP	
10.7	NET(13.5mm)	0	W/ CAP	
9.7	NET(13.5mm)	0	W/ CAP	
10.7	SAN(6.5mm)	0	W/ CAP	
9.7	SAN(6.5mm)	0	W/ CAP	
10.7	PCI(4.2mm)	0	W/ CAP	
9.7	PCI(4.2mm)	0	W/ CAP	
DIM A	HEAT SINK	REAR LEGS OPTIONAL	CAP OPTIONAL	

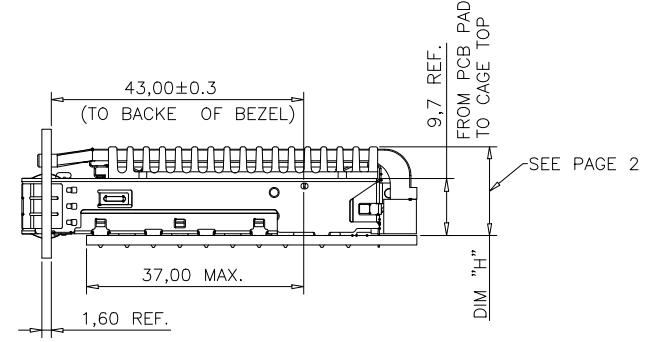
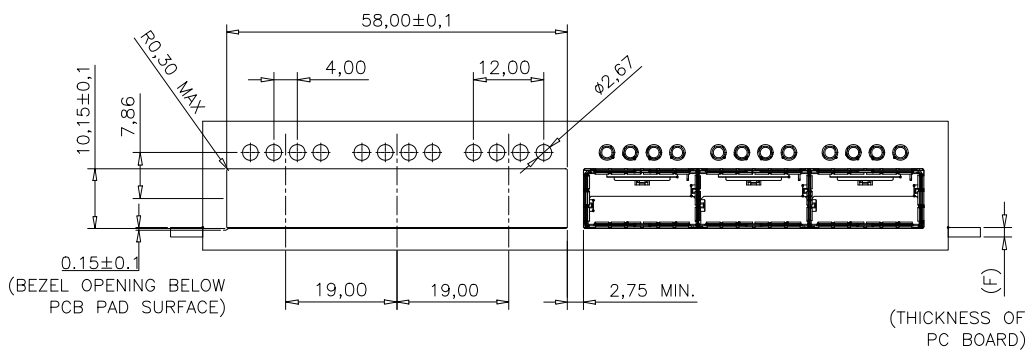


REAR LEGS ARE OPTIONAL  
( SEE PAGE 1 )

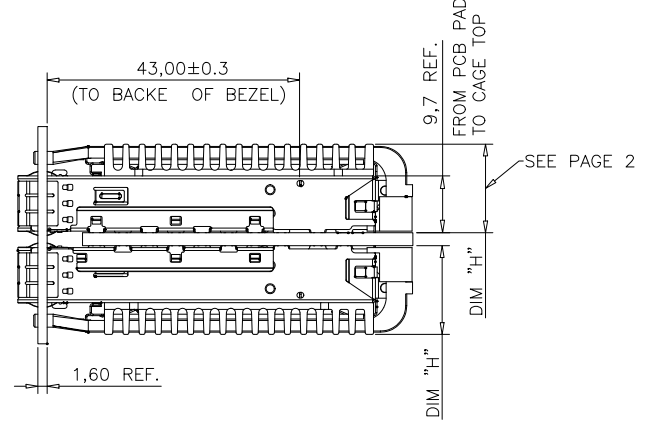
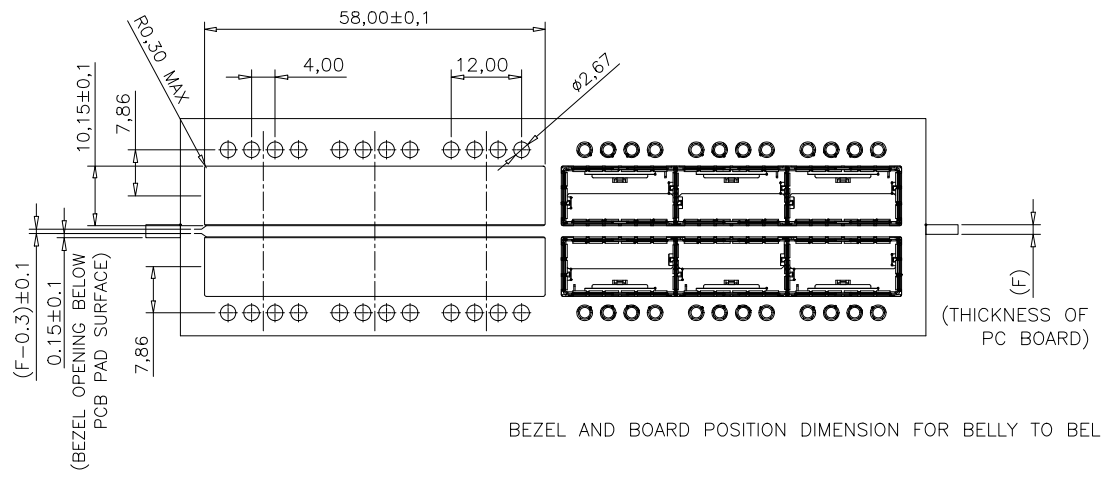
RoHS Compliant

TOLERANCE UNSPECIFIED		<b>VITALCON</b> a vital connector company		FOR YOUR VITAL CONNECTION	
.0	± 0.38			TITLE: QSFP+28G 1X3 CAGE	
.00	± 0.25	DRAWN BY: BECKER		PART NO: S138 X X X 1 X	
.000	± 0.10	CHECKED BY: VTA		REV: A	
ANGLE	± 3.00°	APPROVED BY: QPF		SIZE: A4	
MANUFACTURING COPY		PROJECTION		UNIT:mm	
				SHEET:30F7	
				FCN: A4	
				http://www.vitalconn.com	

REV.	ECN. NO.	NAME	DATE




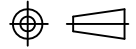
BEZEL AND BOARD POSITION DIMENSION FOR SINGLE SIDE MOUNTING



BEZEL AND BOARD POSITION DIMENSION FOR BELLY TO BELLY MOUNTING

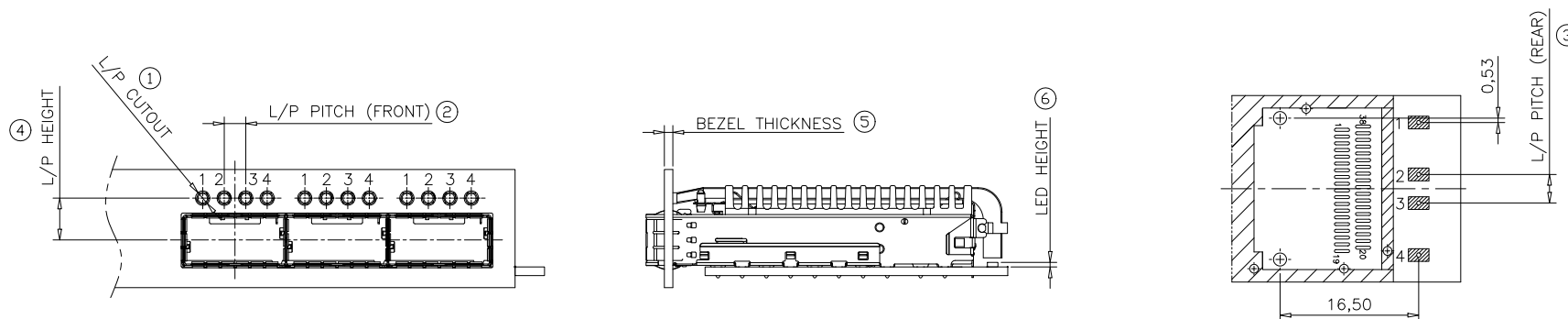
- NOTES:
1. THE NORMAL THICKNESS OF CUSTOMER SUPPLIED PC BOARD.(DIM. "F")  
SINGLE SIDED PC BOARD THICKNESS: 1.60mm MIN.  
BELLY TO BELLY PC BOARD MIN. THICKNESS: 3.0mm MIN.
  2. GENERAL TOLERANCE: ±0.05.

**RoHS Compliant**

TOLERANCE UNSPECIFIED		 <b>VITALCON</b> a vital connector company		FOR YOUR VITAL CONNECTION	
.0	± 0.38			TITLE: QSFP+28G 1X3 CAGE	
.00	± 0.25				
.000	± 0.10				
ANGLE ± 3.00°		DRAWN BY: BECKER		PART NO: S138 X X X 1 X	
MANUFACTURING COPY		CHECKED BY: VTA		SIZE: A4	
		APPROVED BY: QPF		UNIT:mm	
		PROJECTION		SHEET:40F7	
				REV: A	
				FCN: A4	
				 <a href="http://www.vitalconn.com">http://www.vitalconn.com</a>	

REV.	ECN. NO.	NAME	DATE

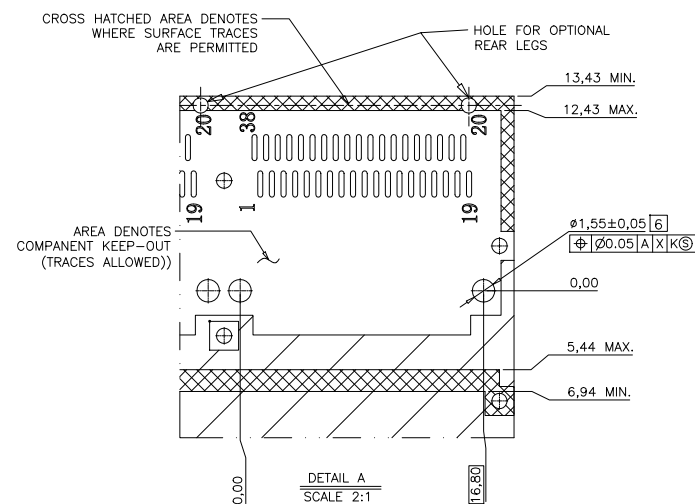
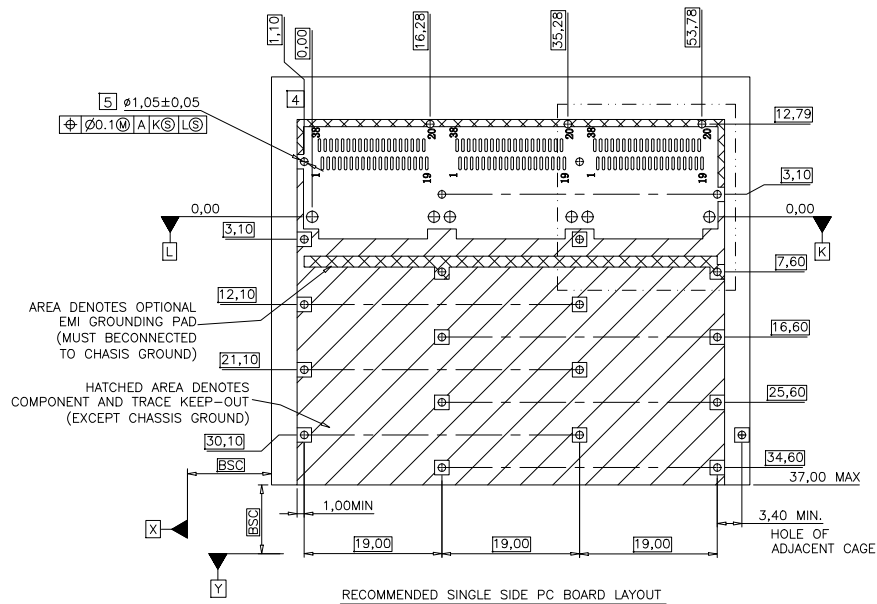
		THE DIMENSION FOR MATING BEZEL (UNIT: mm)						
CODE	L/P APPEARANCE	L/P CUT-OUT	L/P PITCH (FRONT)	L/P PITCH (REAR)	L/P HEIGHT	BEZEL THICKNESS	LED HEIGHT	REMARK
0	NO L/P							WITHOUT LIGHT PIPE
A	ROUND	∅2.67	4.00(Equal)	1,4=15.75 2,3=3.40	7.86	1.60	0.8~1.1	APPLIES TO QUAD L/P
		①	②	③	④	⑤	⑥	



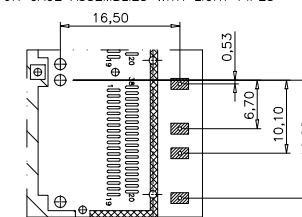
RoHS Compliant

TOLERANCE UNSPECIFIED		<b>VITALCON</b> a vital connector company		FOR YOUR VITAL CONNECTION	
.0	± 0.38				
.00	± 0.25	TITLE: QSFP+28G 1X3 CAGE			
.000	± 0.10				
ANGLE ± 3.00°		DRAWN BY: BECKER			
MANUFACTURING COPY		PART NO:		S138 X X X 1 X	
DRAWN BY:		CHECKED BY: VTA		REV: A	
CHECKED BY:		APPROVED BY: QPF		SIZE: A4	
APPROVED BY:		PROJECTION		UNIT:mm	
				SHEET:50F7	
				FCN: A4	
				http://www.vitalconn.com	

REV.	ECN. NO.	NAME	DATE



FOR CAGE ASSEMBLIES WITH LIGHT PIPES



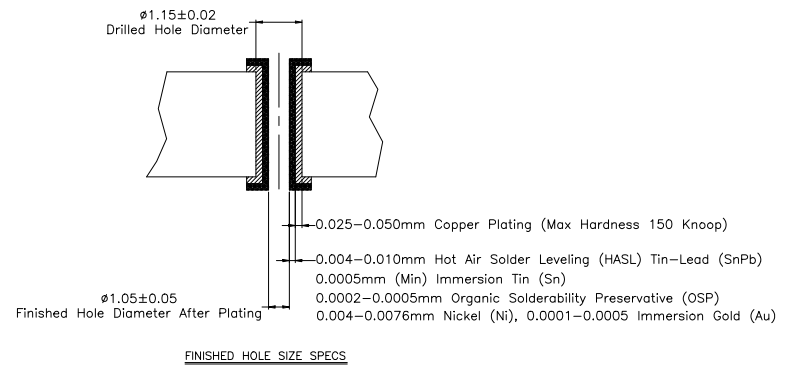
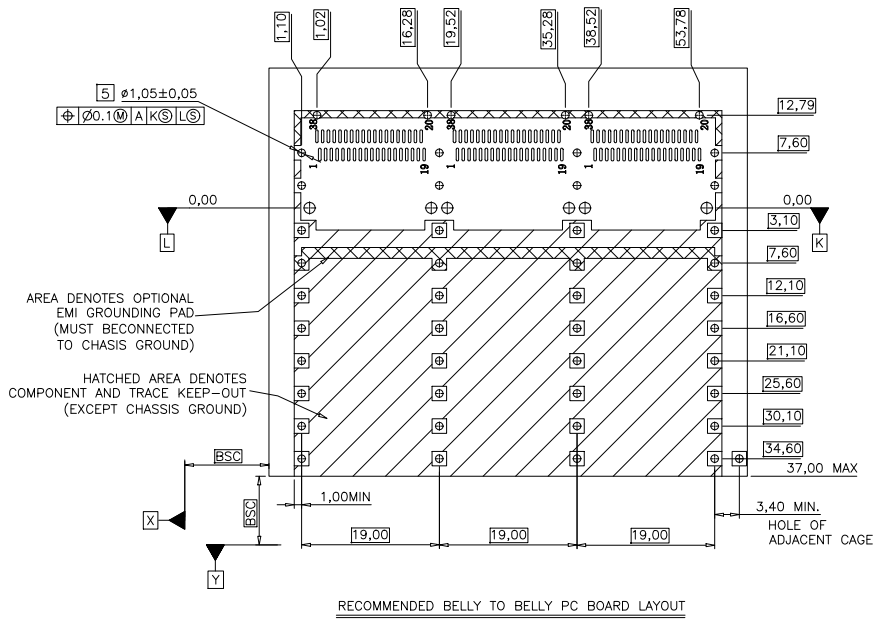
NOTES:

- DATUM X & Y ARE ESTABLISHED BY THE CUSTOMER'S FIDUCIAL
- DATUM A IS THE TOP SURFACE OF THE HOST BOARD
- LOCATION OF THE EDGE OF PCB IS APPLICATION SPECIFIC
- BASELINE FOR THESE DIMENSIONS IS THE CENTER OF COMPLIANT PIN HOLE.
- FINISHED HOLE SIZE
- UNPLATED THRU HOLE.
- REFER TO SFF8662 FOR CONNECTOR FOOTING DIMENSIONS

RoHS Compliant

TOLERANCE UNSPECIFIED		<b>VITALCON</b> a vital connector company		FOR YOUR VITAL CONNECTION	
.0	$\pm 0.38$			TITLE: QSFP+28G 1X3 CAGE	
.00	$\pm 0.25$	DRAWN BY:	BECKER	PART NO:	S138 X X X 1 X
.000	$\pm 0.10$	CHECKED BY:	VTA	SIZE: A4	UNIT:mm
ANGLE	$\pm 3.00^\circ$	APPROVED BY:	QPF	PROJECTION	SHEET:6OF7
MANUFACTURING COPY				http://www.vitalconn.com	
				REV: A	
				FCN: A4	

REV.	ECN. NO.	NAME	DATE



RoHS Compliant

TOLERANCE UNSPECIFIED				FOR YOUR VITAL CONNECTION	
.0	± 0.38				
.00	± 0.25	TITLE: QSFP+28G 1X3 CAGE			
.000	± 0.10				
ANGLE	± 3.00°	DRAWN BY: BECKER	PART NO: S138 X X X 1 X	REV: A	
MANUFACTURING COPY		CHECKED BY: VTA	SIZE: A4	UNIT: mm	SHEET: 70F7
		APPROVED BY: QPF	PROJECTION	<a href="http://www.vitalconn.com">http://www.vitalconn.com</a>	