



NOTE

All numerical values are in metric units [with U.S. customary units in brackets]. Dimensions are in millimeters. Unless otherwise specified, dimensions have a tolerance of ± 0.13 mm and angles have a tolerance of $\pm 2^\circ$. Figures and illustrations are for identification only and are not drawn to scale.

1. INTRODUCTION

This specification covers the requirements for application of Stacked SFP+ Connector and Cage Assemblies to interconnect SFP+ and SFP fiber optic or copper transceiver modules to printed circuit (pc) boards. The SFP+ Connector and Cage Assembly is a pre-assembled unit available in a 2x1, 2x2, 2x4, 2x5, 2x6, or 2x8 configurations. SFP+ Connector and Cage Assemblies are also available with light pipes.

The cage assembly features compliant pin contacts for mechanical retention to the pc board and to provide electromagnetic interference (EMI) suppression, thermal vent holes, and panel ground features (panel ground springs or elastomeric gasket) to provide electrical contact to the bezel. In addition, the cage assembly has a locking latch and a kick-out spring for each mating module. The locking latch holds the module in place, and the kick-out spring releases the module for removal. An EMI/Dust Plug (for each port) is used when the module is not mated to the cage assembly to prevent contaminants from entering the chassis and assist with EMI containment. The SFP+ Connector and Cage Assembly is designed to be inserted into a bezel after being seated onto the pc board.

The connector consists of a housing with dual 20-position receptacle ports and compliant pin contacts on 0.8 mm centerline spacing. The housing features alignment posts that provide stability for placement on the pc board. Each receptacle port has a card entry slot that accepts a 1.0 \pm 0.1 mm thick integrated circuit card housed in the mating module.

When corresponding with personnel, use the terminology provided in this specification to facilitate inquiries for information. Basic terms and features of this product are provided in Figure 1.

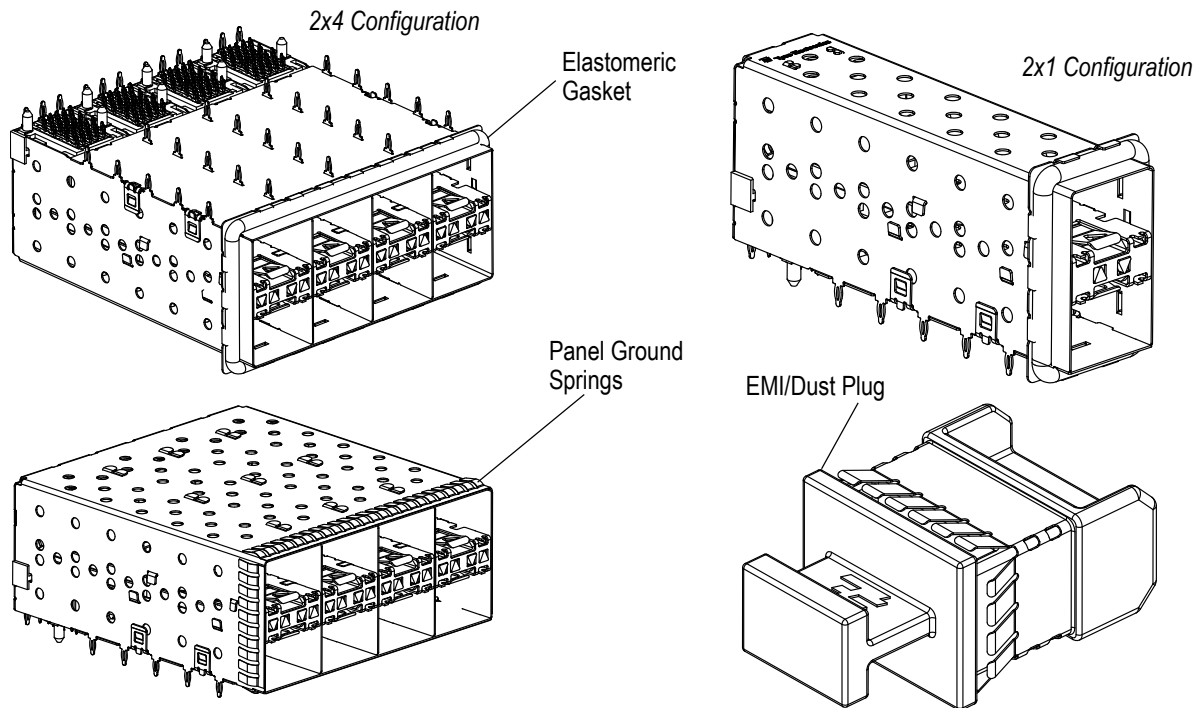


Figure 1 (cont'd)

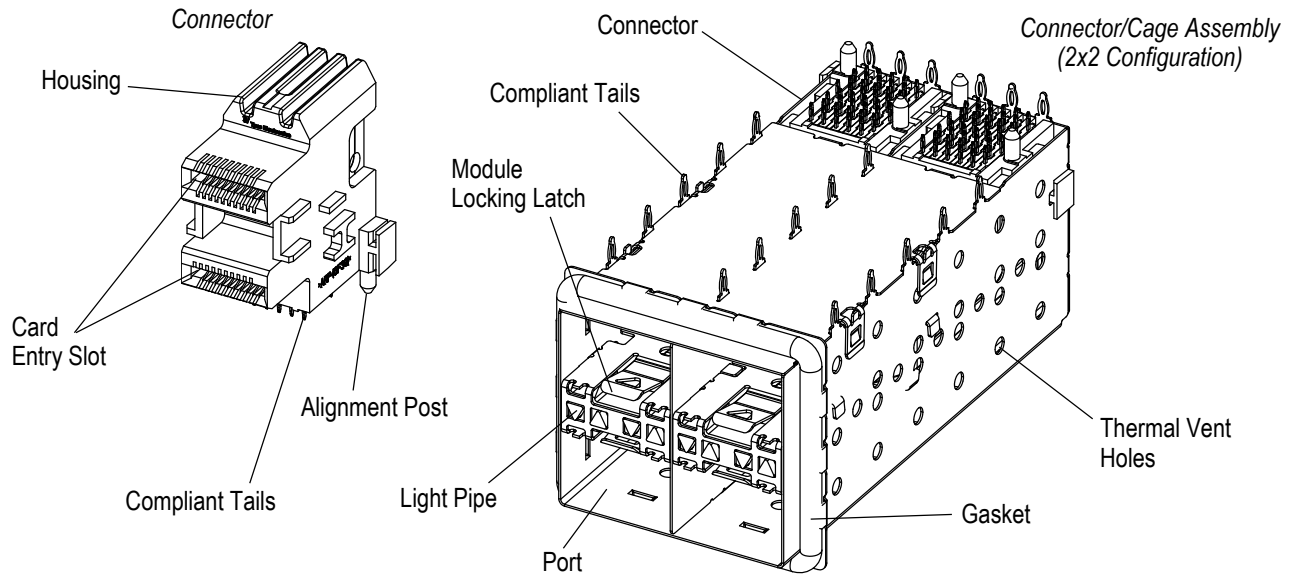


Figure 1 (end)

2. REFERENCE MATERIAL

2.1. Revision Summary

- Updated document to corporate requirements
- Added new product configurations to Section 1, INTRODUCTION; tables in Figures 4 and 7, and title in Figure 8

2.2. Customer Assistance

Reference Product Base Part Number 2007399 and Product Code K638 are representative of Stacked SFP+ Connector and Cage Assembly. Use of these numbers will identify the product line and help you to obtain product and tooling information. Such information can be obtained through a local TE Representative, by visiting our website at www.te.com, or by calling PRODUCT INFORMATION or the TOOLING ASSISTANCE CENTER at the numbers at the bottom of page 1.

2.3. Drawings

Customer Drawings for product part numbers are available from the service network. If there is a conflict between the information contained in the Customer Drawings and this specification or with any other technical documentation supplied, the information contained in the Customer Drawings takes priority.

2.4. Instructional Material

The following list includes available instruction sheets (408-series) that provide assembly procedures for product, operation, maintenance and repair of tooling.

<u>Document Number</u>	<u>Document Title</u>
408-10259	Small Form-Factor Pluggable (SFP)+ Extraction Tool Kits 2063048-[] for Stacked PT Connector and Cage Assemblies
408-10261	Small Form-Factor Pluggable (SFP)+ Seating Tool Kits 2018280-[] for Stacked PT Connector and Cage Assemblies

2.5. Specifications

Product Specification [108-2331](#) provides expected product performance and test information for the SFP+ Connector and Cage Assembly.

3. REQUIREMENTS

3.1. Safety

Do not stack component packages so high that the shipping containers buckle or deform.

3.2. Limitations

The connectors are designed to operate in a temperature range of -55° to 105°C [-67° to 221°F].

The bezel requirements given in this document are specifically configured for products used in the communications industry. It is strongly recommended that this bezel configuration NOT be used for peripheral component interconnect (PCI) applications.

3.3. Material

The connector housing and chicklets (parts that hold the compliant pin contacts) are made of molded thermoplastic, UL 94-V-0. All compliant pin contacts in the connector are made of copper alloy underplated with nickel; plated with tin at the leads and plated with gold or gold equivalent at the interface area. The cage assembly is made of copper alloy. The EMI/Dust Plug is made of die cast zinc.

3.4. Storage

A. Ultraviolet Light

Prolonged exposure to ultraviolet light may deteriorate the chemical composition in the product material.

B. Shelf Life

The connector and cage assembly should remain in the shipping container until ready for use to prevent deformation to compliant pin contacts and mounting posts. The connector and cage assemblies should be used on a first in, first out basis to avoid storage contamination that could adversely affect performance.

3.5. Chemical Exposure

Do not store product near any chemical listed below as they may cause stress corrosion cracking in the material.

Alkalies	Ammonia	Citrates	Phosphates	Citrates	Sulfur Compounds
Amines	Carbonates	Nitrites	Sulfur Nitrites		Tartrates

3.6. PC Board

A. Material and Thickness

The pc board material shall be glass epoxy (FR-4 or G-10). Minimum pc board thickness shall be 1.5 mm.



NOTE

Contact Product Information at the number at the bottom of page 1 for suitability of other board materials.

B. Tolerance

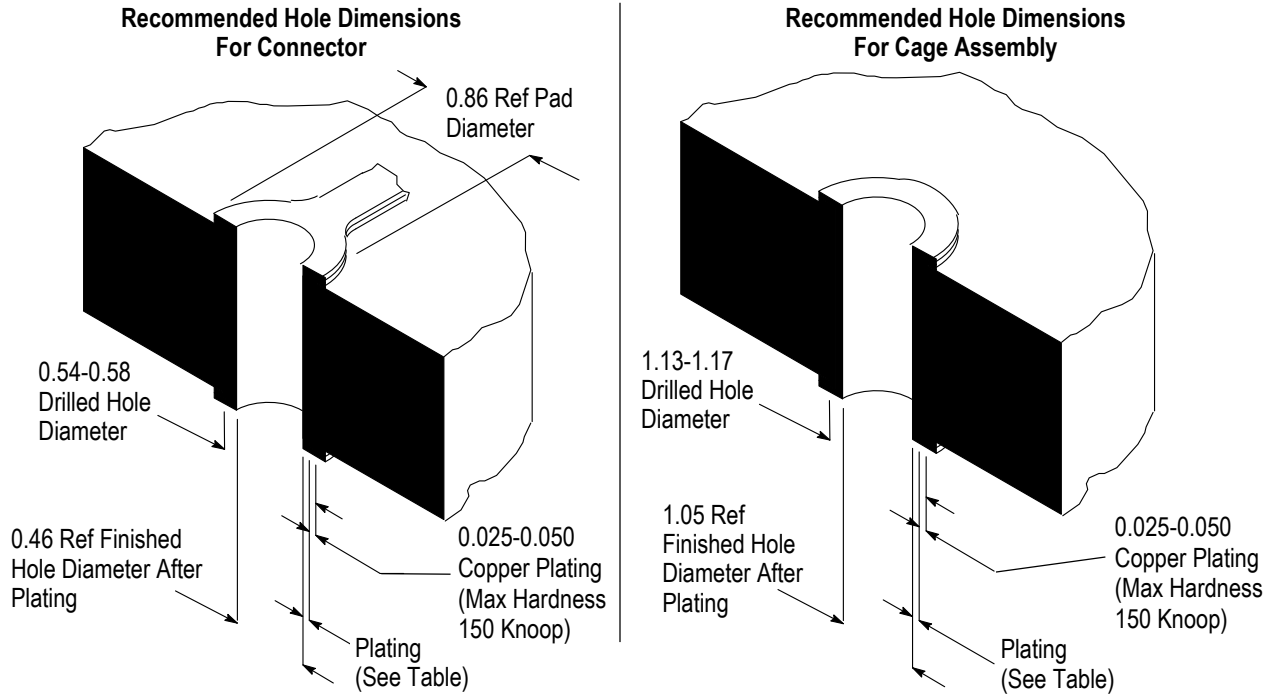
Maximum allowable bow of the pc board shall be 0.08 mm over the length of the connector and cage assembly.

C. Hole Dimensions

The holes for the connector signal contacts and cage assembly must be drilled and plated through to dimensions specified in Figure 2.

D. Layout

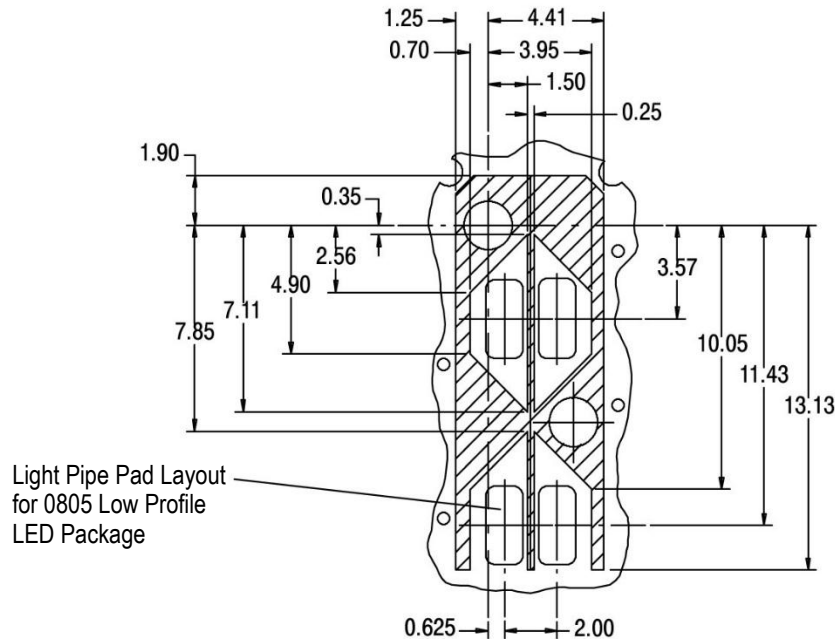
The holes for the connector and cage assembly must be precisely located to ensure proper placement and optimum performance of the connector and cage assembly. Recommended hole pattern, dimensions, and tolerances are provided on the customer prints. Sample layouts are provided in Figure 3.



THICKNESS	PLATING
0.004-0.010	Hot Air Solder Leveling (HASL) Tin-Lead (Sn Pb)
0.0005-0.002	Immersion Tin (Sn)
0.0002-0.0005	Organic Solderability Preservative (OSP)
0.0001-0.0005 Au, 0.004-0.0076 Ni	Immersion Gold (Au) Over Nickel (Ni) (ENIG)
0.0001-0.0005	Immersion Silver (Ag)

Figure 2

Keep-Out Zone
(Detail G)



NOTE: For a specific pc board layout, refer to the customer drawing for the specific connector and cage assembly.

Figure 3 (cont'd)

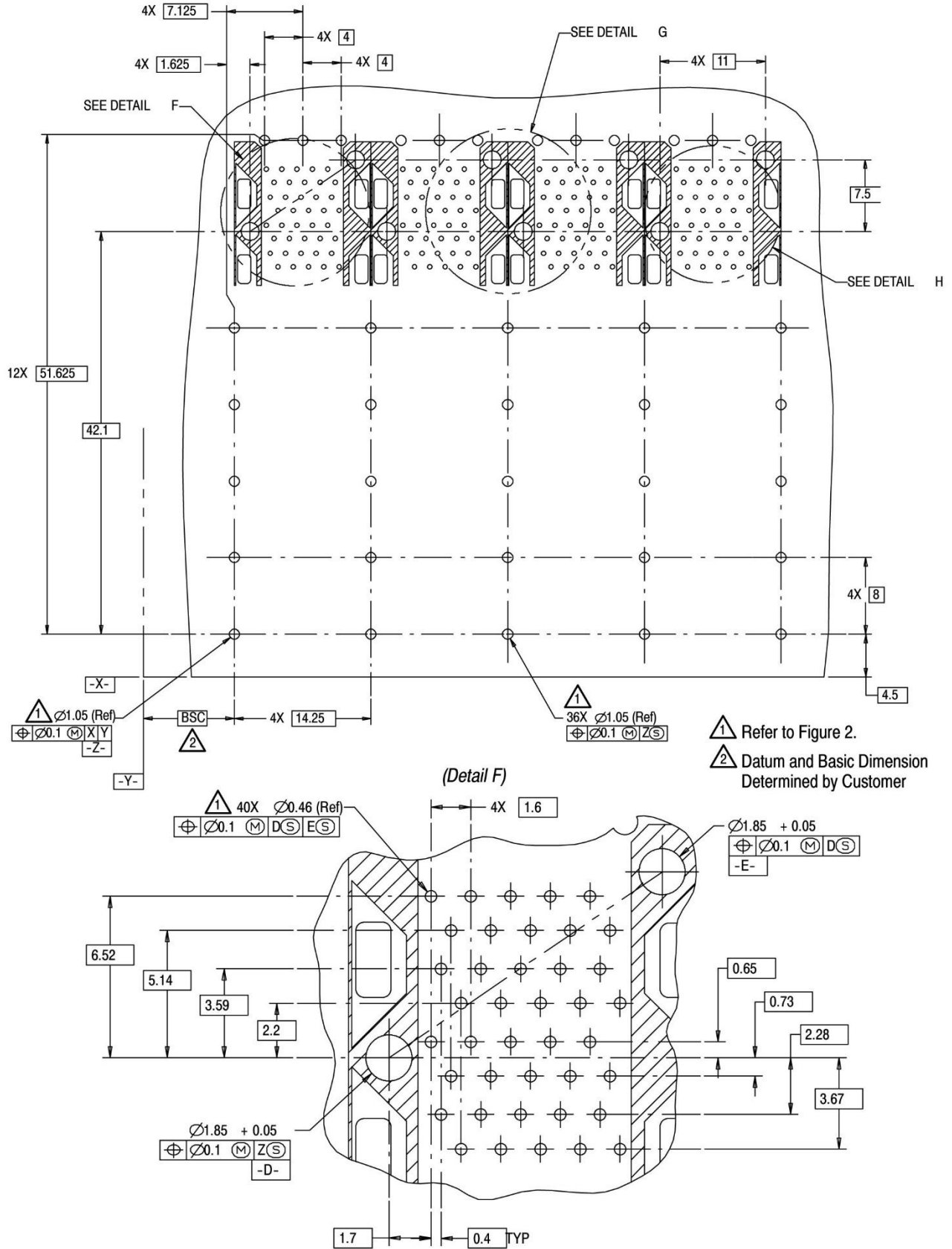


Figure 3 (end)

3.7. Transceiver Modules



CAUTION

The mating transceiver module packing size cannot exceed the width of each cage port opening. This includes the part of the transceiver that is extending outside the cage. Since the port-to-port spacing has a 14.25 mm centerline, the widest transceiver width extending outside of the cage should be less than 14 mm. This will prevent any possible interference when transceivers are inserted in adjacent ports.

3.8. Bezel



CAUTION

It is strongly recommended that this bezel configuration NOT be used in PCI applications. The following requirements were intended to be used in the communications industry only.

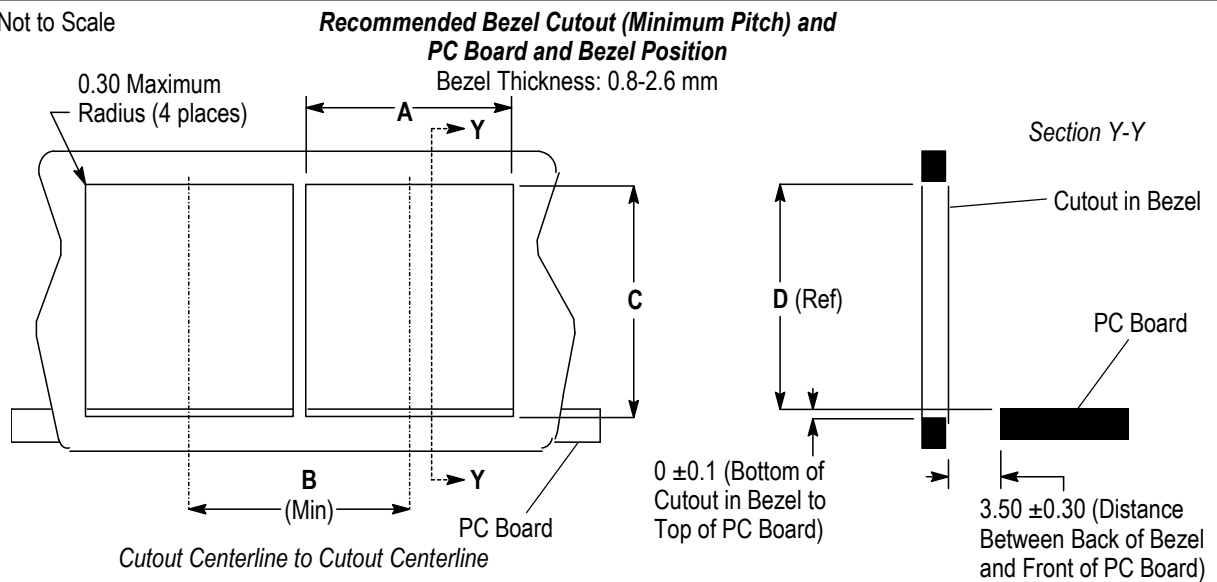
A. Thickness

The bezel thickness range shall be 0.8 through 2.6 mm.

B. Cutout

The bezel must provide a cutout that allows proper mounting of the connector and cage assembly. The cage assembly panel grounding feature must be compressed by the bezel in order to provide an electrical ground between the connector and cage assembly and bezel for EMI suppression. Care must be used to avoid interference between adjacent connector and cage assemblies and other components. The minimum allowable distance between connector and cage assemblies must be considered to ensure proper assembly. Dimensions for bezel cutout and minimum allowable distance between cutouts are shown in Figure 4.

NOTE: Not to Scale



CONNECTOR AND CAGE ASSY		DIMENSION (±0.1)					
TYPE	CONFIGURATION	A	B (Min)		C	D (Ref)	
			SPRING FINGERS	GASKET		SPRING FINGERS	GASKET
Standard	2X1	15.45	16.25	19.5	26	26	26
	2X2	29.7	31	34.25	26	26	26
	2X4	58.2	59.5	62.75	26	26	26
	2X5	72.45	73.75	77	26	26	26
	2X6	86.7	88	91.25	26	26	26
	2X8	115.2	116.5	119.75	26	26	26

Figure 4

3.9. PC Board and Bezel Position

The bezel and pc board must be positioned in relation to each other to avoid interference with the function of the cage assembly module locking latch and to ensure proper function of the panel ground springs. This relationship must conform to the dimensions stated in Figure 4.

3.10. Placement

The following requirements also apply to connectors and cage assemblies used for rework purposes.



CAUTION

To avoid damage to elastomeric gasket, panel ground springs, and compliant tails, handle only by cage sides.

A. Registration

The compliant pin contacts and mounting posts must be aligned with matching holes in the pc board, then inserted into the pc board simultaneously to prevent twisting or bending of the compliant pin contacts.

B. Seating

Using proper seating force and seating height is essential to interconnection performance. The force used to seat the connector and cage assembly must be applied evenly to prevent deformation or other damage to the compliant pin contacts. The force required to seat the connector and cage assembly onto the pc board can be calculated by:

$$\text{Amount of Compliant Pin Contacts} \times 44.5 \text{ N [10 lbs]} (\text{Force per Compliant Pin Contact}) = \text{Seating Force}$$



CAUTION

Over-driving of the connector and cage assembly will deform parts critical to the quality of the connection. Maximum force occurs prior to the connector and cage assembly bottoming on the pc board.

The shut height of the application tool must be specifically set for proper seating of the connector and cage assembly. The shut height can be calculated by:

$$\text{Seating Height (Connector and Cage Assembly Seated)} + \text{Height of Seating Tool} + \text{Combined Thicknesses of PC Board and PC Board Support Fixture} = \text{Shut Height (Ram Down)}$$

The seating height, measured from the top of the cage assembly (not including the panel grounding feature) to the top of the pc board, is given in Figure 5.

The connector and cage assembly must be seated on the pc board not exceeding the dimensions shown in Figure 5.



NOTE

The shut height may need to be adjusted to obtain the 0.10 mm maximum gap between the standoffs of the cage assembly and the pc board.

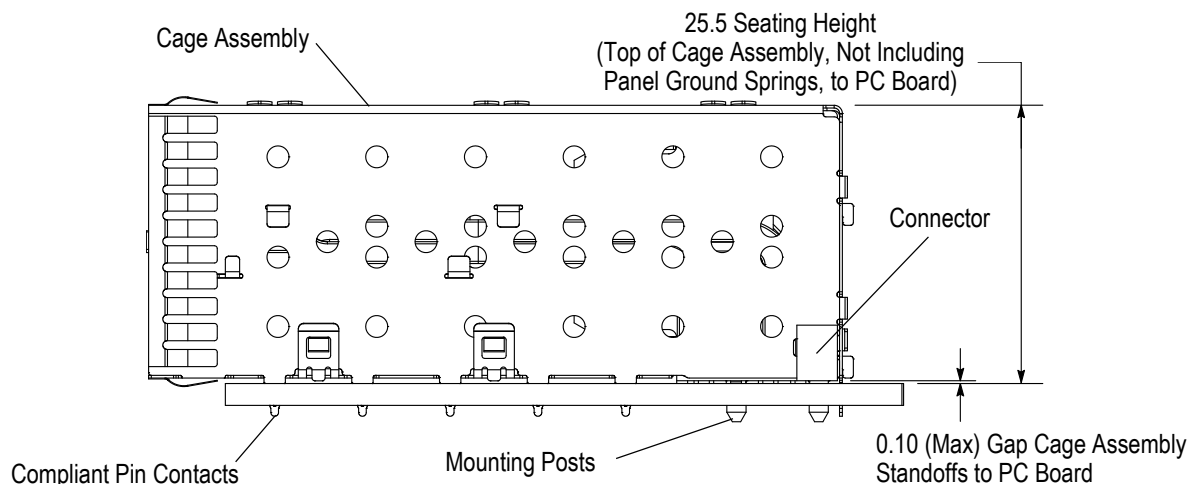


Figure 5

3.11. Checking Assembly

After assembly, the cage assembly panel grounding feature must be compressed by the bezel. A slight bow in the cage assembly is permitted. The bezel and pc board must be positioned according to the dimensions shown in Figure 6.

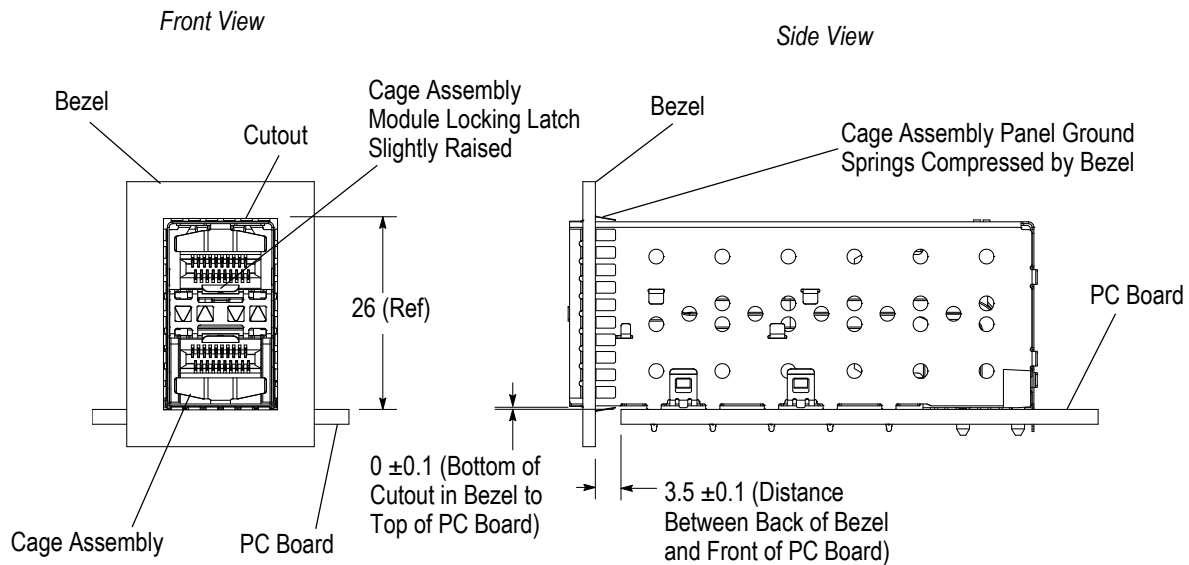


Figure 6

3.12. EMI/Dust Plug

An EMI/Dust Plug should be installed into its respective port when the module is not mated with the cage assembly.

3.13. Repair and Rework

Damaged or defective connector and cage assemblies must be removed and replaced.

If repair or rework to the pc board requires soldering after the connector and cage assembly has been seated onto the pc board, the following must apply:

--- After soldering, removal of fluxes, residues, and activators is necessary. Consult with the supplier of the solder and flux for recommended cleaning solvents. Cleaners must be free of dissolved flux and other contaminants. Even when using a "no clean" solder paste, it is imperative that the contact interface be kept clean of flux and residue (since it acts as an insulator).



DANGER

Consideration must be given to toxicity and other safety requirements recommended by the solvent manufacturer. Refer to the manufacturer's Material Safety Data Sheet (MSDS) for characteristics and handling of cleaners. Trichloroethylene and Methylene Chloride is not recommended because of harmful occupational and environmental effects. Both are carcinogenic (cancer-causing).

--- Air drying is recommended. Otherwise, make sure that temperature limitations are not exceeded: -55° to 105°C [-67° to 221°F]. Excessive temperatures may cause housing degradation.

4. QUALIFICATION

SFP+ Connectors are Recognized by Underwriters Laboratories Inc. (UL) in File No. E28476.

5. TOOLING

Tooling part numbers and instructional material packaged with the tooling are given in Figure 7.

5.1. Seating Tool Kits

The seating tool kits (each consists of a seating tool and wall support) are used to seat the connector and cage assembly onto the pc board. The seating tool and wall support are also available separately.

5.2. Extraction Tool

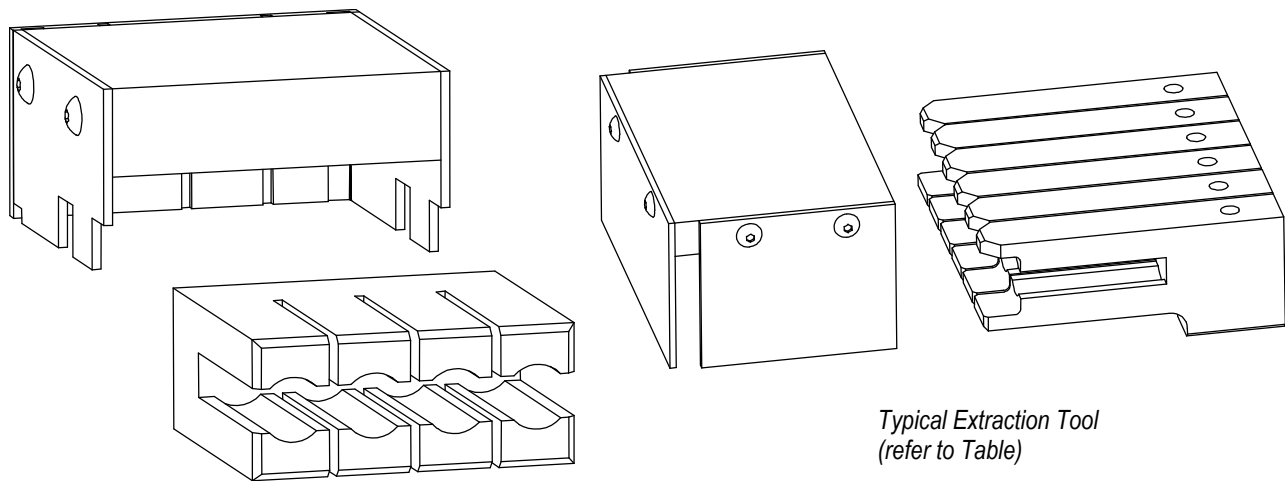
The extraction tool is used to remove the connector and cage assembly from the pc board by pushing the pc board off of the connector and cage assembly. The part should not be reused.

5.3. Application Tool

Power for the seating tools and extraction tools must be provided by an application tool (with a ram) capable of supplying a downward force of 44.5 N [10 lbs] per contact. For available application tools, call Product Information at the number at the bottom of page 1.

5.4. PC Board Support Fixture

A pc board support must be used with the seating tool and the extraction tool. The support fixture provides proper support for the pc board and protects the pc board and the connector and cage assembly from damage. The support fixture must be customer designed. It is recommended that the support fixture be at least 25.4 mm longer and wider than the pc board and have flat surfaces with holes or a channel large enough and deep enough to receive any protruding components of the connector and cage assembly.



*Typical Seating Tool Kit
(Refer to Table)*

*Typical Extraction Tool
(refer to Table)*

CONNECTOR AND CAGE ASSEMBLY		SEATING TOOL KIT (408-10261)	EXTRACTION TOOL (408-10259)
TYPE	CONFIGURATION		
Standard	2X1	2018280-1	2063048-2
	2X2	2018280-2	2063048-3
	2X4	2018280-3	2063048-1
	2X5	2018280-6	2063048-5
	2X6	2018280-4	2063048-4
	2X8	2018280-5	2063048-6

Figure 7

6. VISUAL AID

The illustration below shows a typical application of this product line. This illustration should be used by production personnel to ensure a correctly applied product. Applications which DO NOT appear correct should be inspected using the information in the preceding pages of this specification and in the instructional material shipped with the product or tooling.

**NOTE: Connector and Cage Assembly 2X4 Configuration Shown
Requirements Also Apply to 2X1, 2X2, 2X5, 2X6, and 2X8 Configurations**

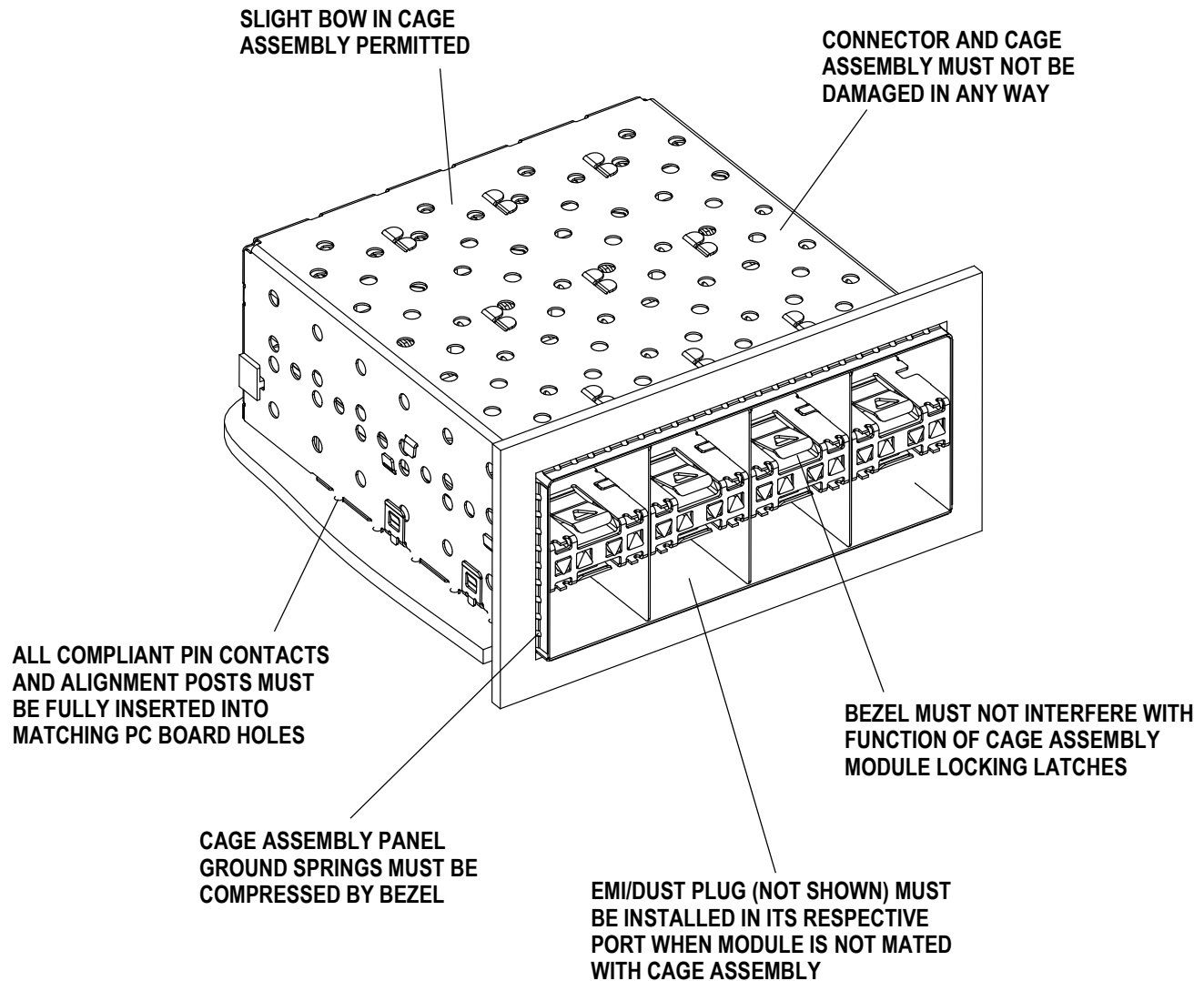


FIGURE 8. VISUAL AID