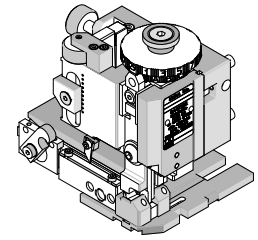




**Mini-Mac
Applicator**

**Application Tooling
Specification Sheet**



Order No. 63891-8000

FEATURES

- Directly adapts to most automatic wire processing machines
- Applicator designed to industry standard mounting and shut height 135.80mm (5.346")
- Quick set-up time; plus the crimp height, track and feed adjustments can be set without removing the applicator from the press
- Fine adjustment allows users to achieve target with little effort by adjusting in increments of .015mm (.0006") for conductor crimp height and .063mm (.0025") for insulation height
- Independent adjustment rings allow users to quickly adjust the conductor or insulation crimp height without affecting each other.

SCOPE

Products: Board-In-Crimp Terminal, 18-24 AWG.

Terminal Series No.	Terminal Order No.			Wire Size		Insulation Diameter		Strip Length	
				AWG	mm ²	mm	In.	mm	In.
5298	08-70-0106	39-00-0276	98-00-0193	18-24	0.80-0.20	1.70-3.05	.067-.120	5.00-6.00	.200-.240
	39-00-0132	39-00-0277	98-00-0194						
	39-00-0230								

DEFINITION OF TERMS

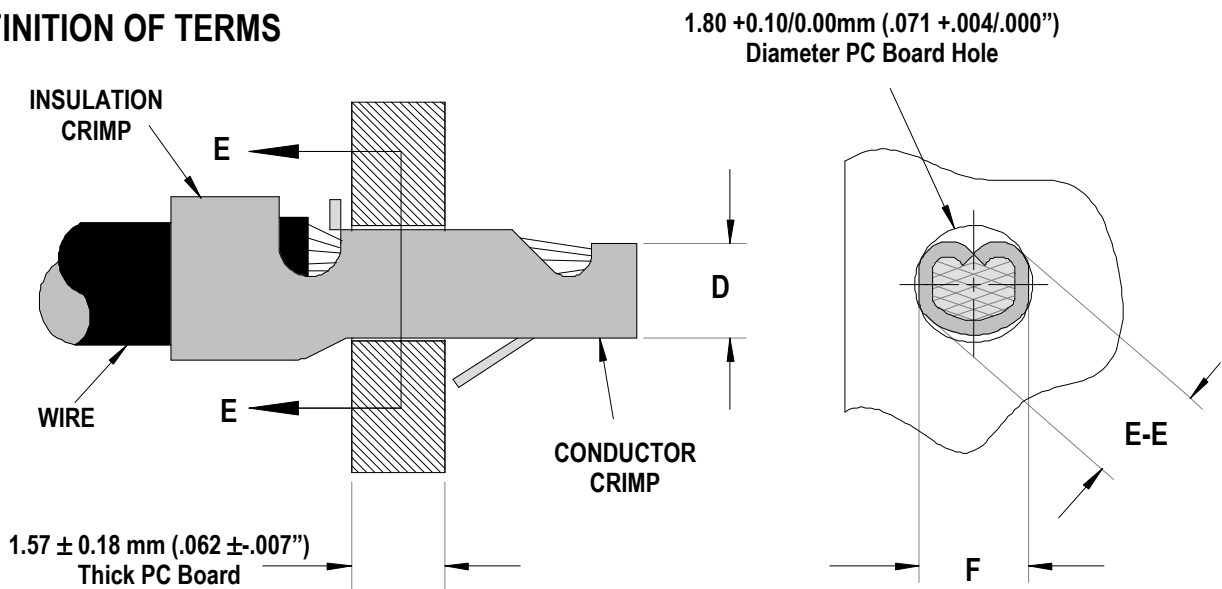


Figure 1

Section E-E

CRIMP SPECIFICATIONS

After crimping, the conductor profiles should measure the following (See Figure 1).

Terminal Series No.	Wire Size		Dimensions (Figure 1)						Pull Force Minimum	
			D		E-E		F (Ref.)			
	AWG	mm ²	mm	In	mm	In.	mm	In.	N	Lb.
5298	18	0.80	1.14	.045	1.70-1.78	.067-.070	1.40	.055	13.30	3.0
	20	0.50	1.14	.045	1.70-1.78	.067-.070	1.40	.055	13.30	3.0
	22	0.35	1.14	.045	1.70-1.78	.067-.070	1.40	.055	13.30	3.0
	24	0.20	1.14	.045	1.70-1.78	.067-.070	1.40	.055	13.30	3.0

- ⚠ The crimp on this terminal is not an electrical crimp; the final soldering operation is the electrical connection. This minimum force is what should be expected when pulling the terminal with both insulation and conductor crimped.

Notes:

1. The Conductor crimp (D dimension on Figure 1) should be set at the maximum height to contain all wire strands, meet minimum pull, and fit into the PCB Hole. Shimming may be required of the conductor punch to optimize this for different wire types.

PARTS LIST

Mini-Mac Applicator 63891-8000				
Item	Order No	Engineering No.	Description	Quantity
Perishable Tooling				
	63891-8070	63891-8070	Tool Kit (All "Y" Items)	REF
1	11-18-4393	60730A104	Conductor Punch	1 Y
2	11-18-4391	60730A102	Combination Anvil	1 Y
3	11-18-5343	60730B138	Insulation Punch	1 Y
4	11-18-5342	60730B136	Barrel Form Punch	1 Y
5	11-18-4032	60705A106	Cut-Off Plunger	1 Y
6	11-18-4033	60705A107	Cut-off Plunger Retainer	1 Y
7	11-18-5406	60730B105	Knock-Out Blade	1 Y
Other Components				
8	11-18-4034	60705A108	Front Plunger Striker	1
9	11-18-4083	60707-8	Feed Guide	1
10	11-18-4277	60702A108	Rear Plunger Retainer	1
11	11-18-4278	60702A109	Rear Plunger Striker	1
12	11-18-4394	60758A109	Wire Stop	1
13	11-18-4654	60702A110	Tooling Washer	1
14	11-18-5116	60804A141	Compression Spring (Knock-Out)	1
15	11-24-1067	4996-4	Cut-off Plunger Spring	2
16	63443-6130	63443-6130	Rear Cover	1
17	63803-5109	63803-5109	Conductor Bushing	1
Frame				
18	63801-3201	63801-3201	Top	1
19	63801-3282	63801-3282	Base	1
20	63801-6550	63801-6550	Track	1
Hardware				
21	N/A	N/A	M3 by 6 Long SHCS	2**
22	N/A	N/A	M4 by 8 Long SHCS	2**
23	N/A	N/A	M4 by 12 Long BHCS	2**
24	N/A	N/A	M8 by 20 Long BHCS	1**
25	N/A	N/A	#6-32 by 3/8 Long BHCS	1**
26	N/A	N/A	#6-32 by 3/8 Long SHCS	1**
27	N/A	N/A	#8-32 by 3/8 Long BHCS	4**
** Available from an industrial supply company such as MSC (1-800-645-7270).				

Assembly Drawing

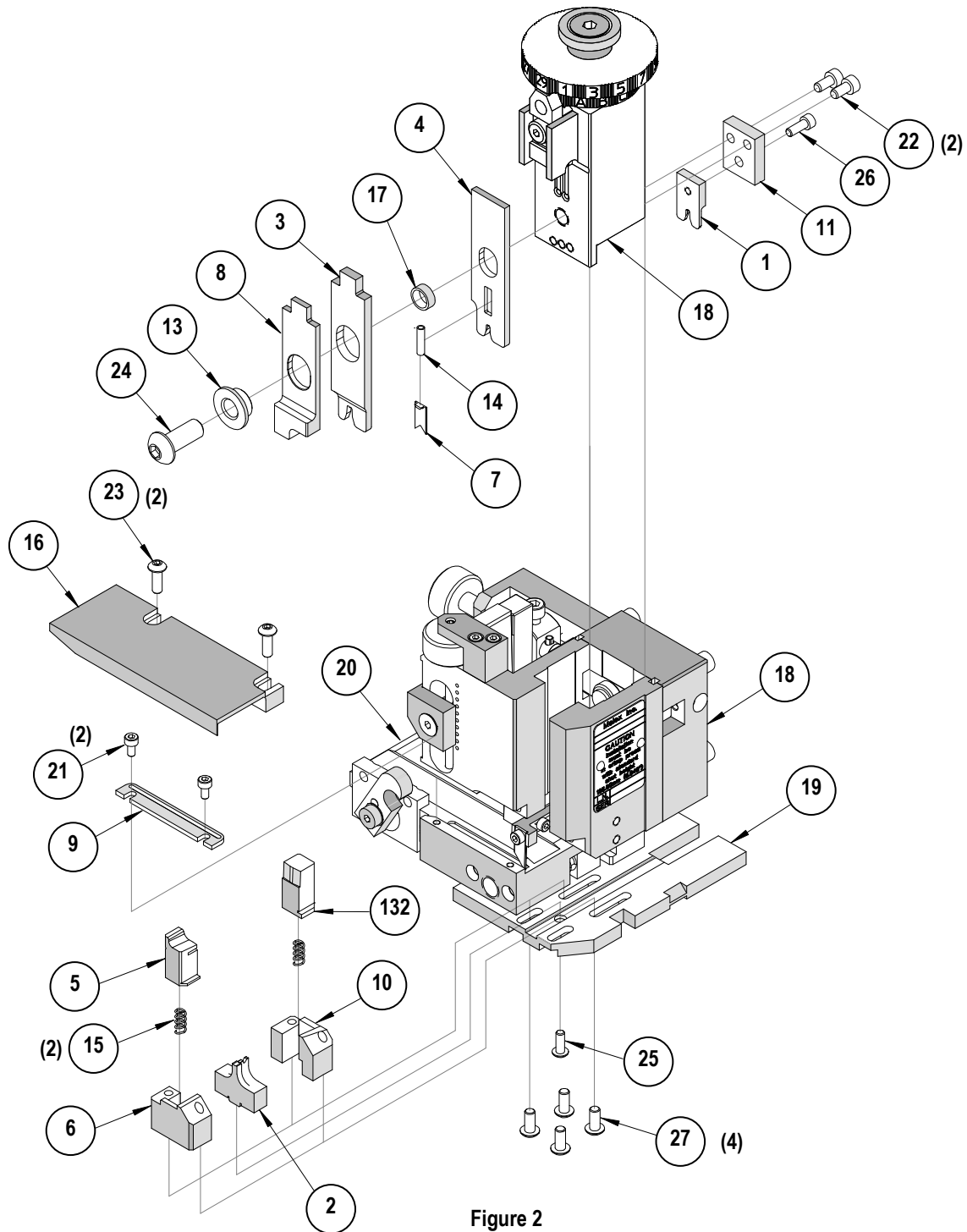


Figure 2

NOTES

1. Molex recommends an extra perishable tooling kit be maintained at your facility.
2. Verify tooling alignment by manually cycling the press and applicator before crimping under power. Check that all screws are tight.
3. Slugs, terminals, dirt, and oil should be kept clear of work area.
4. Wear safety glasses at all times.
5. For recommended maintenance refer to the Mini-Mac Manual.

CAUTION: This applicator should only be used in a press with a shut height of 135.80 mm (5.346"). Tooling damage could result at a lower setting

CAUTION: To prevent injury, never operate this applicator without the guards supplied with the press or wire-processing machine in place. Reference the press or wire processing manufacturer's instruction manual.

CAUTION: Molex crimp specifications are valid only when used with Molex terminals, applicators and tooling.

Contact Information

For more information on Molex application tooling please contact Molex at 1-800-786-6539.

<http://www.molex.com>