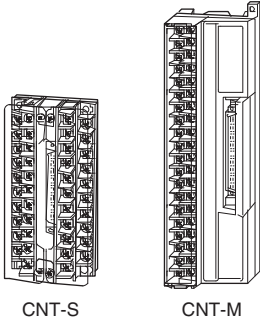


CONNECTOR TERMINAL BLOCK

Functions & Features

- Terminal board converting screw terminal wiring into a connector
- Convenient in conjunction with various racks



CNT-S

CNT-M

PERFORMANCE

Insulation resistance: $\geq 100 \text{ M}\Omega$ with 500 V DC (between circuits and ground)

Dielectric strength: 500 V AC @1 min. (between circuits)
1000V AC @1 min. (between circuits and ground)

MODEL: CNT-[1]

ORDERING INFORMATION

- Code number: CNT-[1]

Specify a code from below for [1].

(e.g. CNT-S)

[1] MODEL

S: 40 terminals (M4 screw)

M: 40 terminals (M3.5 screw)

RELATED PRODUCTS

- Special cable with 40-pin connector (model: FCN)

GENERAL SPECIFICATIONS

Rating: 125 V AC or DC, 1 A

Connection

•Screw terminal

CNT-S: M4 screw terminals (torque 0.8 to 1.2 N·m)

CNT-M: M3.5 screw terminals (torque 0.8 to 1.2 N·m)

Applicable wire size: $\leq 2 \text{ mm}^2$

•Connector

FUJITSU 40-pin connector (FCN-364P040-AU)

INSTALLATION

Operating temperature: -5 to +55°C (23 to 131°F)

Operating humidity: 30 to 90 %RH (non-condensing)

Mounting

CNT-S: Surface

CNT-M: Surface or DIN rail

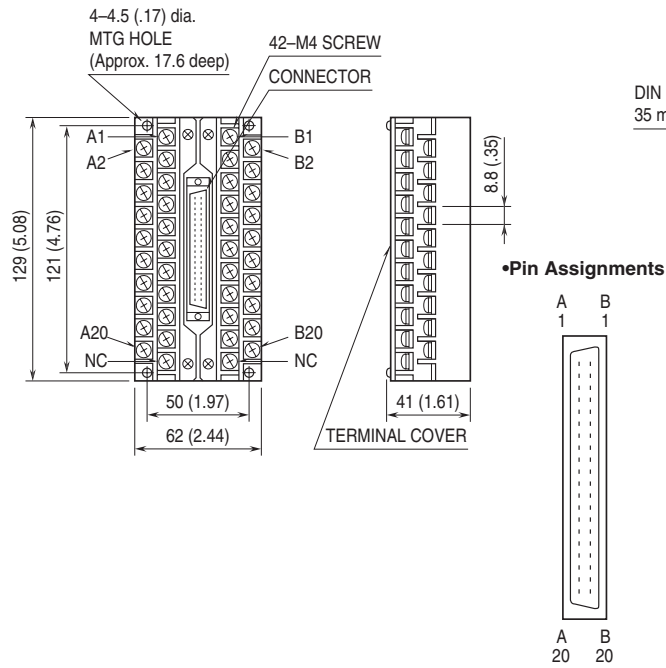
Weight

CNT-S: 350 g (0.77 lb)

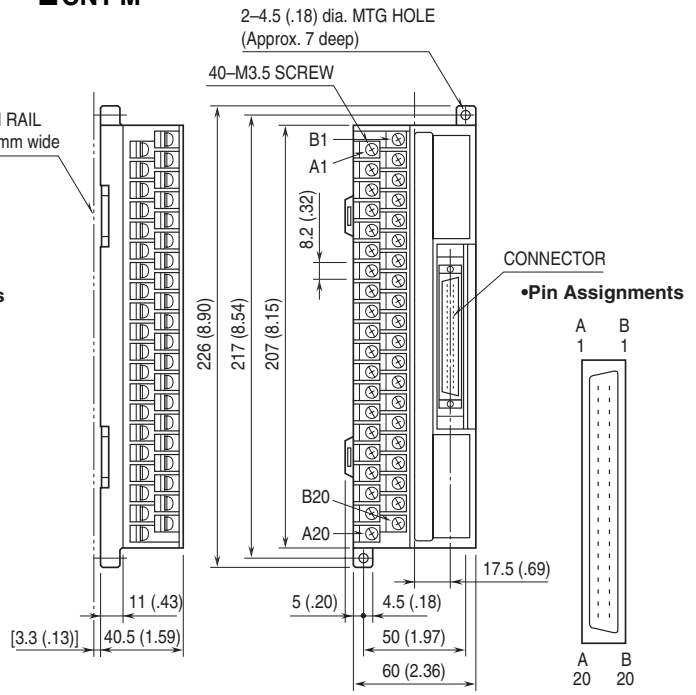
CNT-M: 280 g (0.62 lb)

DIMENSIONS unit: mm (inch)

■ CNT-S



■ CNT-M



Specifications are subject to change without notice.