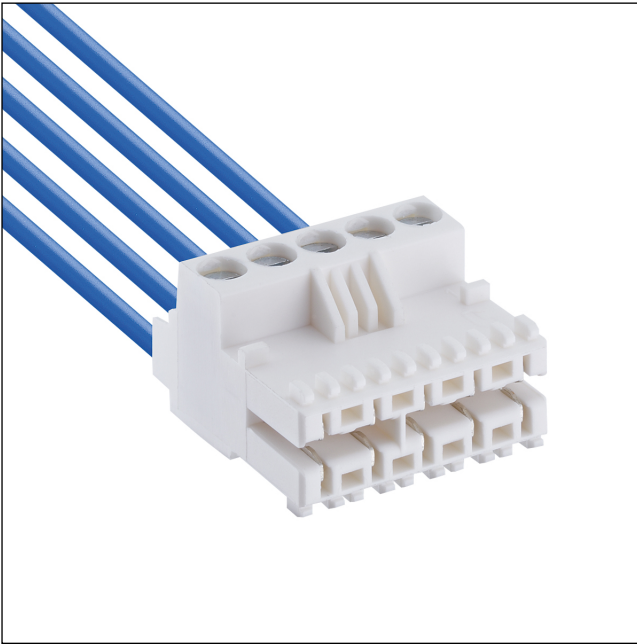


36

3614

RAST 5 connectors, pitch 5.0 mm



RAST 5 connector for direct mating, with screw terminal,  
with lift clamp with protection against misplacing,  
alternatively with or without keying rib and (shorter)  
closed sides, consecutive placement without loss of pitch

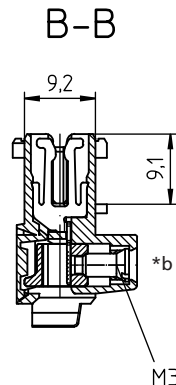
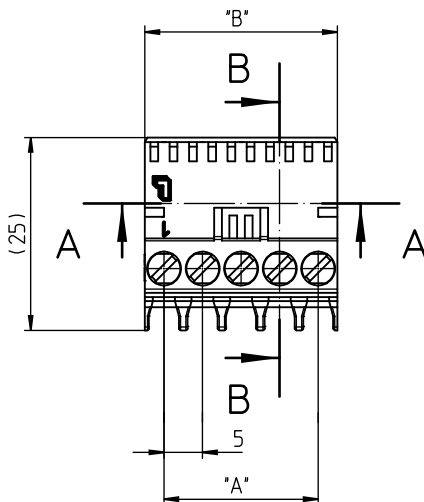
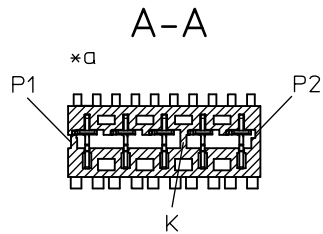
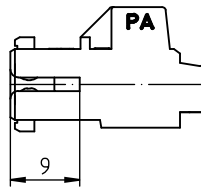
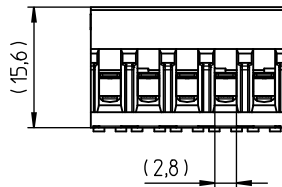
---

Approvals:



36

3614



### Environmental conditions

Temperature range -40 °C/+125 °C (3614)  
-40 °C/+130 °C (3614 M08)<sup>1</sup>


<sup>1</sup> upper limit temperature (insulating body) RTI (electrical) of the UL Yellow Card

### Materials

Insulating body PA GF, V-2 according to UL94 – 3614  
PA GF, V-0 according to UL94 – 3614 M08<sup>1</sup>  
Contact spring CuSn, tin-plated  
Clamp CuZn, nickel-plated  
Screw steel, zinc-plated and chromatiert

<sup>1</sup> M08: component glow wire resistant (GWT 750 °C), testing acc. to IEC 60695-2-11, assessment acc. to IEC 60335-1 (flame < 2 s)

### Mechanical data

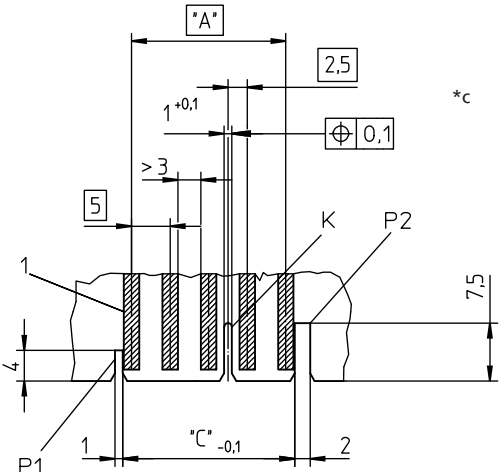
Mating with printed circuit board 1.5 ± 0.14 mm  
Insertion force/contact ≤ 4,0 N  
Withdrawal force/contact ≥ 1,0 N  
Tightening torque screw 0,5 Nm  
Keying proposals at [www.lumberg.com](http://www.lumberg.com) 

### Connectable conductors for screw clamp

Section stranded wire 0,14–2,5 mm<sup>2</sup> (AWG 26–14)  
Section stranded wire with sleeve 0,25–2,5 mm<sup>2</sup> (AWG 24–14)  
Section solid wire 0,14–4,0 mm<sup>2</sup> (AWG 26–12)  
Stripping length 8 ± 1 mm

### Electrical data (at T<sub>amb</sub> 20 °C)

Contact resistance ≤ 5 mΩ  
Rated current 6 A (T<sub>U</sub> > 70 °C)  
Rated voltage 630 V AC (VDE)/250 V DC (UL, CSA) – 3614  
320 V AC (VDE)/250 V DC (UL, CSA) – 3614 M08  
Material group I (IEC)/0 (UL) (CTI ≥ 600) – 3614  
IIIa (IEC)/2 (UL) (CTI ≥ 250) – 3614 M08  
Creepage distance 3,4 mm  
Clearance 3,4 mm  
Insulation resistance > 10 GΩ



- \*a K = keying  
P = positioning
- \*b all screw clamps of the connector to be tightened with the indicated torque
- \*c example for printed circuit board layout

36

3614

Designation	Pole Number	PU (Pieces)	MDQ (Pieces)	Dimensions		
				A (mm)	B (mm)	C (mm)
3614 02	2	200	1000	5	9.9	7.5
3614 03	3	200	1000	10	14.9	12.5
3614 04	4	200	1000	15	19.9	17.5
3614 05	5	200	1000	20	24.9	22.5
3614 06	6	200	1000	25	29.9	27.5

Designation to be completed by further details (e.g. for keying, color or material options).

**Packaging:**

in bulk, in a cardboard box