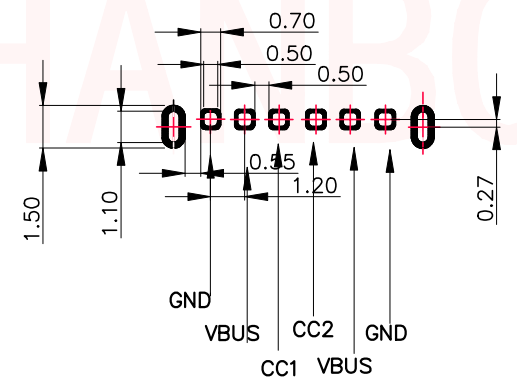
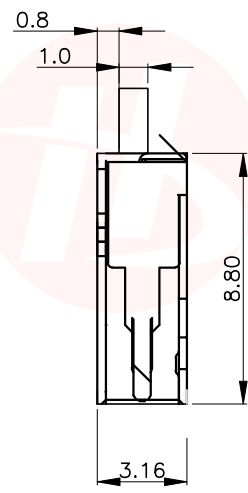
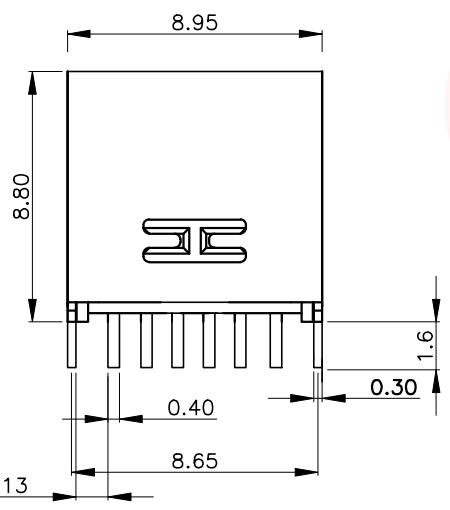
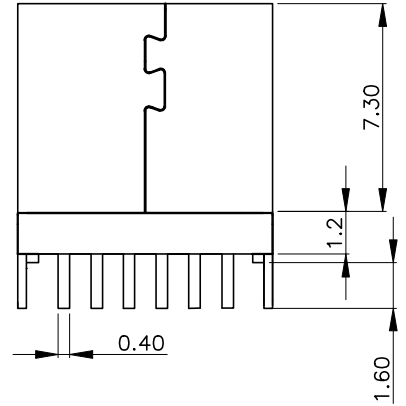
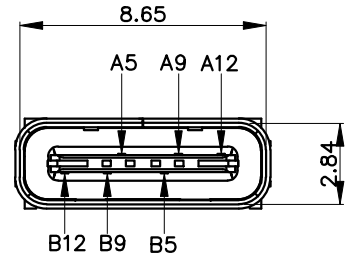




|         |                       |
|---------|-----------------------|
| 5       | 6                     |
| REV.    | ECN NO OR DESCRIPTION |
| REVISED | DATE                  |
|         |                       |
|         |                       |

NOTES:

- MATERIAL:
  - MOLDING: LCP UL94 V-0
  - CONTACT: COPPER ALLOY.
  - GOLD PLATED Min ON CONTACT AREA, 100u"
  - Min TIN (LEAD FREE) ON SOLDER AREA,
  - SHELL: SUS201-H,T=0.30±0.03mm
  - 50u" NICKEL PLATING OVER ALL.
- MECHANICAL:
  - INSERTION: 5~20N.
  - EXTRACTION: 8~20N AFTER TEST.
  - DURABILITY: 5000 CYCLES
- ELECTRICAL:
  - CURRENT: 3A FOR VBUS;
  - 1.25A FOR GND PIN.
  - 0.25A FOR OTHER.
  - VOLTAGE: 20 V MAX
  - WITHSTANDING VOLTAGE: 100V AC R.M.S.
  - CONTACT RESISTANCE: 40mΩ MAX.
  - INSULATION RESISTANCE: 100MΩ MIN.
- ENVIRONMENTAL
  - TEMPERATURE RANGE -25°C ~ +85°C
- 尺寸标注说明:
  - 所有标注单位为毫米, 公差按标准。
- 产品符合RoHS标准。



RECOMMENDED P.C.B. LAYOUT  
TOLERANCE UNSPECIFIED ±0.05mm

|     |             |
|-----|-------------|
| B12 | GND         |
| B9  | VBUS        |
| B5  | CC2         |
| A5  | CC1         |
| A9  | VBUS        |
| A12 | GND         |
| PIN | SIGNAL NAME |

|                                       |          |   |                                |           |             |
|---------------------------------------|----------|---|--------------------------------|-----------|-------------|
| UNLESS OTHERWISE SPECIFIED TOLERANCES |          | 东莞市汉博电子科技有限公司<br>DONGGUAN HANBO TECHNOLOGY CO., LTD |                                |           |             |
| DECIMALS:                             | ANGLES:  | TITLE   | USB TYPE C 6PIN PLUG 简易版直插 8.8 |           |             |
| .X ±0.35                              | .X ±1.5° | DWN   | xiong                          | MC-513    |             |
| .XX ±0.25                             | .XX ±1°  | CHKD  | lee                            | SCALE:1:1 | UNIT: mm    |
| .XXX ±0.20                            |          | APVD  | wang                           | SIZE: A4  | SHEET:10F 1 |
|                                       |          | REV: A4   |                                |           |             |
| CUSTOMER COPY                         |          |   |                                |           |             |

