

## FUEL SENDERS

Model FS Series

# CURTIS

### DESCRIPTION

The FS Series of fuel senders have been selected to match the Curtis Engine Gage products in order to provide accurate and reliable indication of fuel remaining. Most models are adjustable for a variety of tank depths, but fixed length float arm senders are available for OEM applications.

### WARRANTY

One year from date of delivery.

### Application

For use in fuel tanks on construction, agricultural and material handling vehicles as well as stationary equipment, such as generators and compressors. Also suitable for marine applications.

### Features

- Adjustable for a variety of tank depths. Senders with fixed lengths and special mounting considerations are available for OEM applications.
- Available in both standard resistance ranges and a special low current power-saving version.
- Specially selected by Curtis engineers, these senders provide accurate electrical response and reliable mechanical designs.

### Options

- Custom senders are available for a variety of OEM applications. Contact Curtis for details.

### Cut Off Table

Tank Depth	Distance from pivot to float rod cut-off point
6"	4"
7"	5"
8"	6"
9"	7"
10"	8"
11"	9"
12"	10"
13"	11"
14"	12"
15"	13"
16"	14"
17"	15"
18"	16"
19"	17"
20"	18"
21"	19"
22"	20"
23"	21"
24"	22"
25"	As Manufactured

These lengths allow for approximately one inch clearance to the tank bottom at empty.

### Wiring

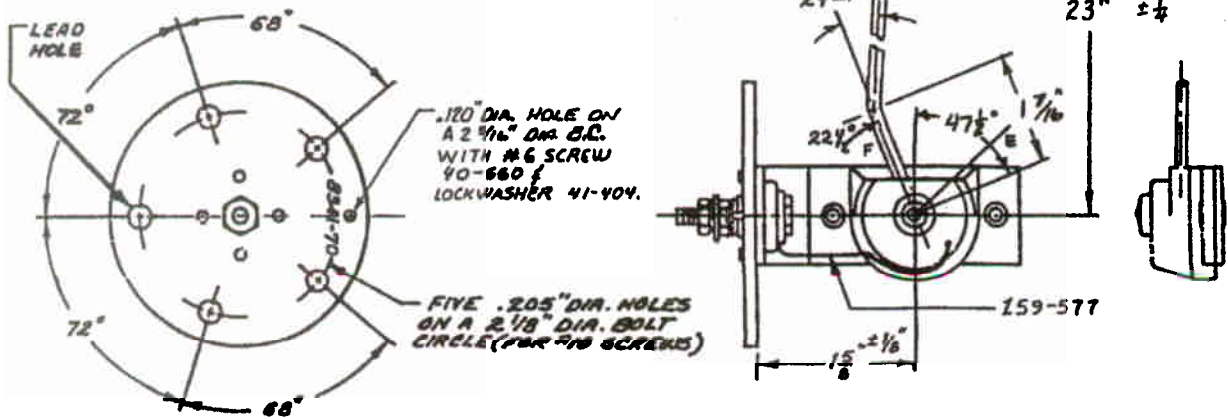
Center lug terminal- to gage's sender input terminal  
#6 screw terminal-ground

### Model Encodement

FS-  
Fuel Sender  
Model

-001  
sequential number  
specifies sender  
features

### Dimensions: inches



### Specifications

Model	Tank Depth	Electrical	Mounting	Tank types
FS-001	Adjustable 6-24"	Low power response	Top	Aluminum, plastic
FS-002	Adjustable 6-24"	240-33 Ohm	Top	Aluminum, plastic