

PLEASE CHECK WWW.MOLEX.COM FOR LATEST PART INFORMATION

Part Number: [0749802512](#)
Status: **Active**
Overview: [vhdm_hsd](#)
Description: 2.00mm (.079") Pitch 6-Row VHDM-HSD™ Backplane Header, Guide Pin Signal Module, Pin End Version, 100 Circuits, Pin Length 6.25mm (.246")

Documents:

[Drawing \(PDF\)](#) [RoHS Certificate of Compliance \(PDF\)](#)

Agency Certification

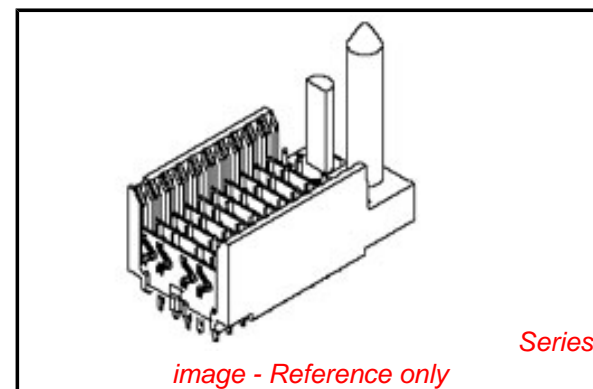
CSA LR19980

General

Product Family Backplane Connectors
 Series [74980](#)
 Application Backplane
 Application Tooling Documents http://www.molex.com/pdm_docs/ats/TM-622010999.pdf>Tooling Manual
 Comments Keying Position A
 Component Type PCB Header
 Overview [vhdm_hsd](#)
 Product Name VHDM-HSD™
 Style N/A

Physical

Circuits (Loaded) 100
 Circuits (maximum) 100
 Color - Resin Black
 Durability (mating cycles max) 200
 First Mate / Last Break No
 Flammability 94V-0
 Guide to Mating Part Yes
 Keying to Mating Part Yes
 Material - Metal Copper-Nickel-Silicon, High Performance Alloy (HPA), Stainless Steel
 Material - Plating Mating Gold
 Material - Plating Termination Tin-Lead
 Material - Resin High Temperature Thermoplastic
 Number of Columns 25
 Number of Pairs Open Pin Field
 Number of Rows 6
 Orientation Vertical
 PCB Retention None
 PCB Thickness Recommended (in) 0.070 In
 PCB Thickness Recommended (mm) 1.80 mm
 Packaging Type Tube
 Pitch - Mating Interface (in) 0.079 In
 Pitch - Mating Interface (mm) 2.00 mm
 Plating min: Mating (µin) 30
 Plating min: Mating (µm) 0.75
 Plating min: Termination (µin) 30
 Plating min: Termination (µm) 0.75
 Polarized to PCB Yes
 Stackable Yes
 Surface Mount Compatible (SMC) Yes
 Temperature Range - Operating -55°C to +105°C



EU RoHS

RoHS Compliant by Exemption
REACH SVHC
 Not Reviewed
Halogen-Free
Status
Not Reviewed

China RoHS



Need more information on product environmental compliance?

Email productcompliance@molex.com
 For a multiple part number RoHS Certificate of Compliance, [click here](#)

Please visit the [Contact Us](#) section for any non-product compliance questions.

Search Parts in this Series

[74980Series](#)

Mates With

[74880 VHDMHSD Daughtercard](#)

Use With

[Daughtercard Modules](#)

Application Tooling | FAQ

Tooling specifications and manuals are found by selecting the products below. Crimp Height Specifications are then contained in the Application Tooling Specification document.

Global

Description	Product #
VHDM® Signal Pin Inserter Repair Tool	0622015700
VHDM-HSD™ Signal Header, 6 Row by 25 Wide, 50.00mm (1.97")	0622020217

Termination Interface: Style

Through Hole - Compliant Pin

Electrical

Current - Maximum per Contact

1A

Data Rate

5.0 Gbps

Real Signals (per 25mm)

48

Voltage - Maximum

120V AC (RMS)/DC

Material Info

Reference - Drawing Numbers

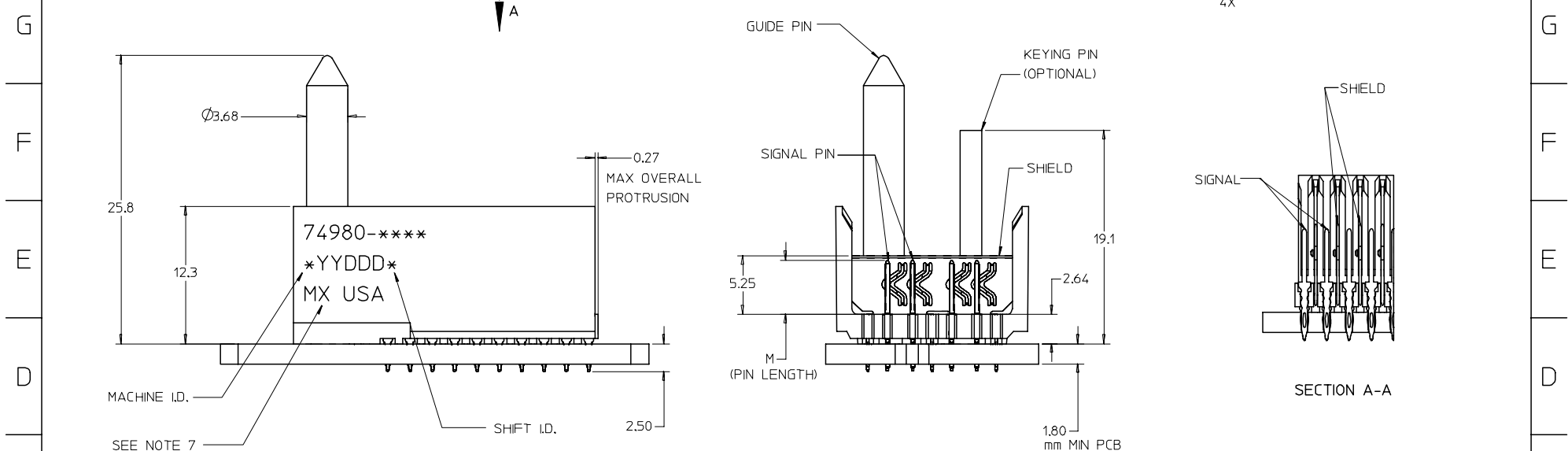
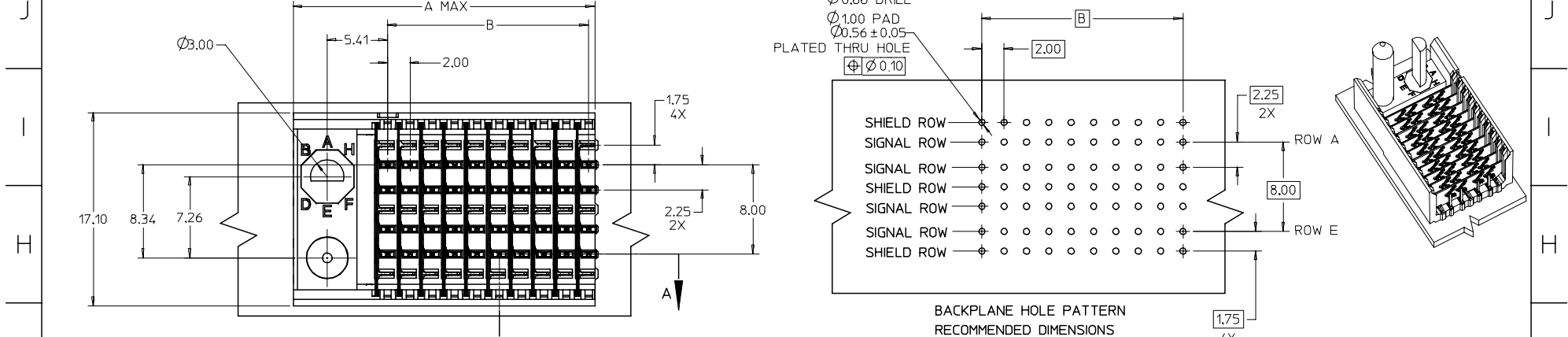
Sales Drawing

SD-74980-010

VHDM-HSD is a trademark of Amphenol Corporation

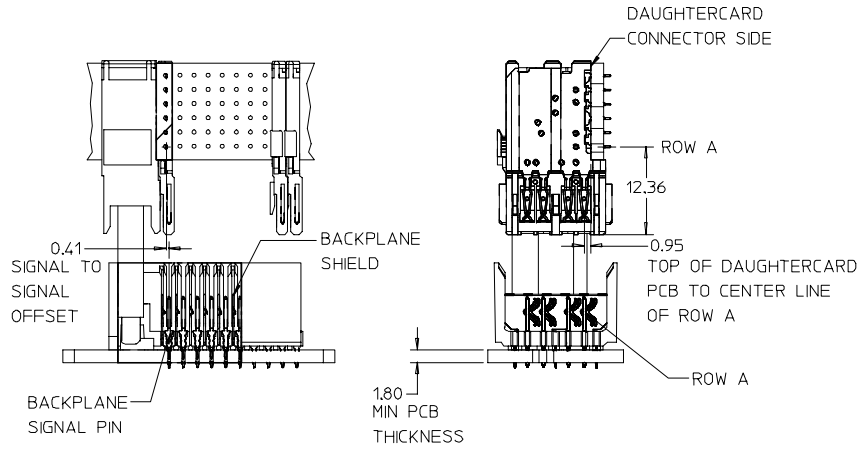
This document was generated on 05/28/2010

PLEASE CHECK WWW.MOLEX.COM FOR LATEST PART INFORMATION



NOTES:
 1. MATERIAL: HOUSING-LIQUID CRYSTAL POLYMER (LCP) GLASS-FILLED. UL 94V-0. COLOR-BLACK. SIGNAL AND SHIELD - HIGH PERFORMANCE COPPER ALLOY.
 2. FINISHES:
 CONTACT AREA: SELECTIVE GOLD (Au)
 PCB TAILS: SELECTIVE TIN/LEAD (Sn/Pb) OR SELECTIVE MATTE TIN (Sn) NICKEL (Ni) OVERALL.
 3. THIS PART CONFORMS TO MOLEX PRODUCT SPECIFICATION PS-74031-999.
 4. FOR MIXED CONTACT MATING LENGTHS - CONSULT MOLEX FOR AVAILABILITY.
 5. FOR SPECIFIC PART NUMBER AND MATING INFORMATION REFER TO SHEET 2.
 6. PACKAGE PER PK-74058-003.
 7. EITHER MARK PART NUMBER AND DATE CODE APPROXIMATELY WHERE SHOWN OR PLACE LABEL ON TUBE.

ADD LEADFREE PINS EC NO: UCP2006-0067 DRAWN: KMULVEY 2005/07/15 CHKD: 2005/07/18 APPR: SREED 2005/08/11	DESCRIPTION REV	QUALITY SYMBOLS ▽=0 ◇=0	GENERAL TOLERANCES (UNLESS SPECIFIED)		SCALE 4:1	DESIGN UNITS METRIC	THIRD ANGLE PROJECTION	REVISE ON CAD ONLY	
			mm	INCH	DIMENSION STYLE MM ONLY		TITLE HSD SALES ASSEMBLY 6 ROW SIGNAL END BACKPLANE		
			4 PLACES ± --- ± ---	3 PLACES ± --- ± ---	DRAWN BY NMARTIN	DATE 2002/09/04	MOLEX INCORPORATED		
			2 PLACES ± --- ± ---	1 PLACE ± --- ± ---	CHECKED BY SREED	DATE 2002/09/04	MATERIAL NO. SEE SHT 2	DOCUMENT NO. SD-74980-010	SHEET NO. 1 OF 2
		ANGULAR ± 1 °		APPROVED BY CBIXLER	DATE 2002/09/04	THIS DRAWING CONTAINS INFORMATION THAT IS PROPRIETARY TO MOLEX INCORPORATED AND SHOULD NOT BE USED WITHOUT WRITTEN PERMISSION			
		DRAFT WHERE APPLICABLE							
		MUST REMAIN WITHIN DIMENSIONS							



74980-****

NUMBER OF COLUMNS/PLATING

10 = 10 COLUMN TIN/LEAD

25 = 25 COLUMN TIN/LEAD

90 = 10 COLUMN MATTE TIN

85 = 25 COLUMN MATTE TIN

SIGNAL PIN LENGTH (mm)

1 & 6 = 4.75

2 & 7 = 6.25

3 & 8 = 4.25

4 & 9 = 5.15

P/N 74980-()	-**0*	-**1*	-**2*	-**3*	-**4*	-**5*	-**6*	-**7*	-**8*
	0	A	B	C	D	E	F	G	H
KEYING PIN ORIENTATION									

PART NUMBER	COLUMN	NUMBER OF SIGNAL PINS	NUMBER OF SHIELDS	A MAX	B	M	Au (µm) MIN THICKNESS	Sn/Pb (µm) THICKNESS
74980-*0*1	10	40	10	27.00	18.00	4.75	0.76	0.38-152
74980-*0*6							1.27	
74980-*5*1	25	100	25	57.00	48.00		0.76	
74980-*5*6							1.27	
74980-*0*2	10	40	10	27.00	18.00	6.25	0.76	
74980-*0*7							1.27	
74980-*5*2	25	100	25	57.00	48.00		0.76	
74980-*5*7							1.27	
74980-*0*3	10	40	10	27.00	18.00	4.25	0.76	
74980-*0*8							1.27	
74980-*5*3	25	100	25	57.00	48.00		0.76	
74980-*5*8							1.27	
74980-*0*4	10	40	10	27.00	18.00	5.15	0.76	
74980-*0*9							1.27	
74980-*5*4	25	100	25	57.00	48.00		0.76	
74980-*5*9							1.27	

SEE SHT 1

EC NO: UCP2006-0067

DRWN: KMULVEY 2005/07/15

CHKD: 2005/07/18

APPR: SREED 2005/08/11

QUALITY SYMBOLS

GENERAL TOLERANCES (UNLESS SPECIFIED)

	mm	INCH
4 PLACES	± ---	± ---
3 PLACES	± ---	± ---
2 PLACES	± ---	± ---
1 PLACE	± ---	± ---

ANGULAR ± 1 °

DRAFT WHERE APPLICABLE

MUST REMAIN WITHIN DIMENSIONS

SCALE 4:1

DESIGN UNITS METRIC

DIMENSION STYLE MM ONLY

TITLE HSD SALES ASSEMBLY 6 ROW SIGNAL END BACKPLANE

THIRD ANGLE PROJECTION

REVISE ON CAD ONLY

APPROVED BY DATE

CBIXLER 2002/09/04

CHECKED BY DATE

SREED 2002/09/04

MATERIAL NO. SEE TABLE

DOCUMENT NO. SD-74980-010

SHEET NO. 2 OF 2

THIS DRAWING CONTAINS INFORMATION THAT IS PROPRIETARY TO MOLEX INCORPORATED AND SHOULD NOT BE USED WITHOUT WRITTEN PERMISSION