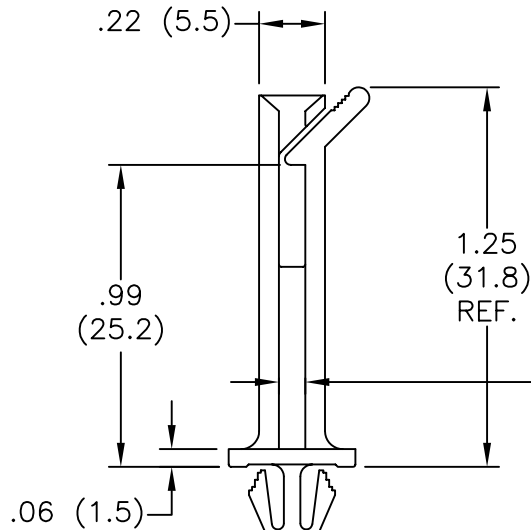
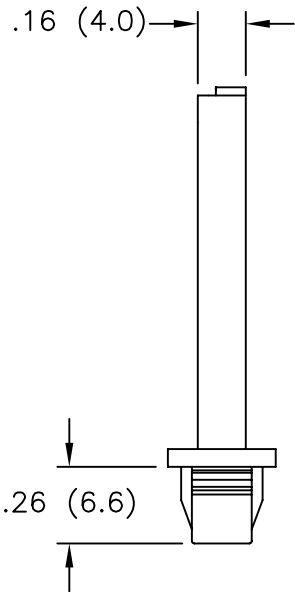
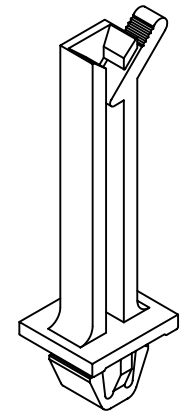
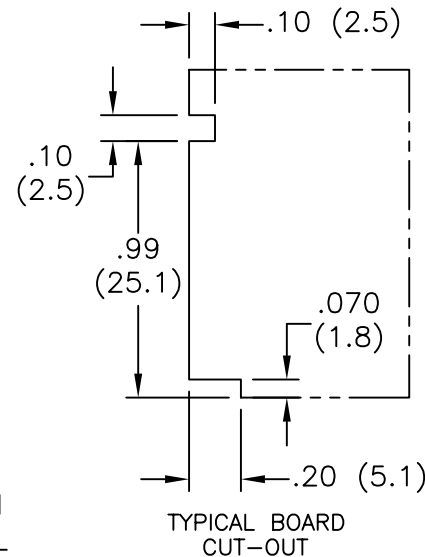


MOUNTING HOLE DIMENSIONS  $\pm 0.003$  ( $\pm 0.08$ )



ACCOMODATES  
A 1/16 (1.6)  
NOMINAL THICK  
BOARD

TO FIT IN A .047 TO .071  
(1.2 TO 1.8) THICK PANEL



NOTES:

1. MAT'L: NYLON 66 (RMS-01), NAT.
2. FLAME RETARDANT NYLON (RMS-19), AVAILABLE BY SPECIAL ORDER

TITLE: VERTICAL MOUNT CARD GUIDE-LATCHED (UK)		DWG IN IN (MM)		FINAL	
TOLERANCES UNLESS NOTED .XX=±.010 .XXX=±.005 FRAC=±1/64 ANG=±1°		FILE # VMCGLE	DWN: P.B.	APP:	
MAT'L: SEE NOTES		DT: 04-06-94	DT:	PART #	PRINT TYPE
RE: RICHCO, INC.		RICHCO INC. PO BOX 804238, CHICAGO, 60680 (773) 539-4060		VMCGLE-31M-01	CA
C	DIM .279 WAS .276, CHANGED FILE NO.	SM 11.29.01			
B	TYPICAL BOARD CUT-OUT ADDED	PB 110394			
A	P/N VMCGLE-31M-01 WAS VMCGLE	PB 100394			
REV	DESCRIPTION	ENGR DATE			