

Han-Eco 24B Punching unit f. rear assy.

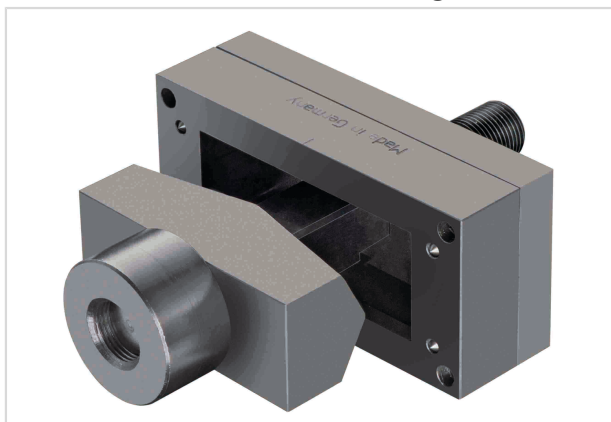


Image is for illustration purposes only. Please refer to product description.

Part number	09 99 000 0919
Specification	Han-Eco 24B Punching unit f. rear assy.
HARTING eCatalogue	https://b2b.harting.com/09990000919

Identification

Category	Tools
Series of hoods/housings	Han [®] B Han-Eco [®] B
Description of hood/housing	Rear mounting
Type of tool	Punching units for hydraulic punch drivers

Version

Size	24 B
Plate thickness	≤2 mm structural grade carbon steel

Commercial data

Packaging size	1
Net weight	3,155 g
Country of origin	Germany
European customs tariff number	82073010
eCl@ss	21049090 Hand tool (other, unspecified)