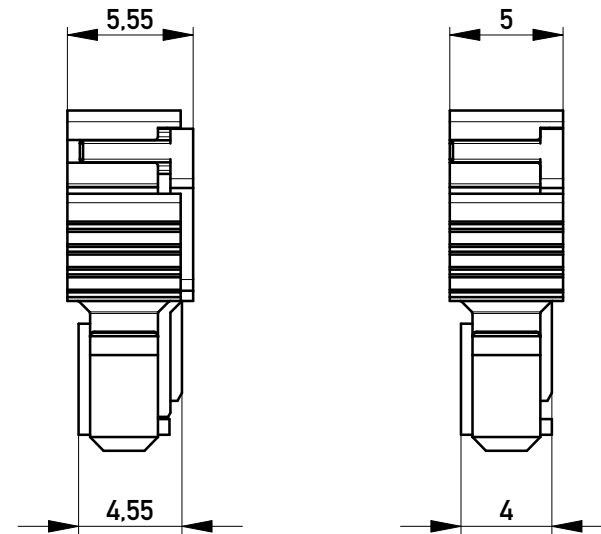
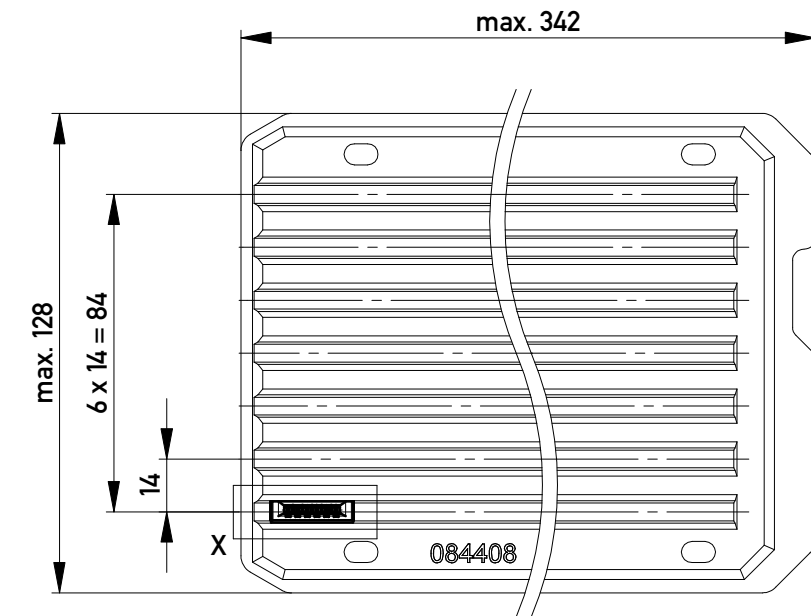


Abdeckung vorverrastet  
cover loose mounted

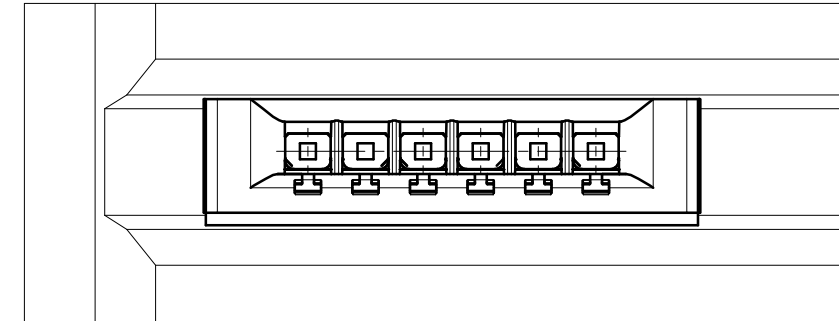
Abdeckung verpresst  
cover pressed on



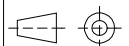

Verpackt in Tray - tray packaging  
Verpackungseinheit 98 Stück - packaging unit 98



Einzelheit X  
detail X



Copyright by ERNI GmbH  
Proprietary notice pursuant to ISO 16016 to be observed.

Information: Codierung blau - coding blue		Tolerances		Scale	3:1
All rights reserved. Only for Information. To ensure that this is the latest version of this drawing, please contact one of the ERNI companies before using.		Subject to modification without prior notice. Drawing will not be updated.		Designation <b>F 2.54 SRC-A, 6-polig BA 2</b>	
www.ERNI.com				<b>104802070001</b>	
c	14.05.2014			K	
Index	Date			A3	
				Class	SRCBUG