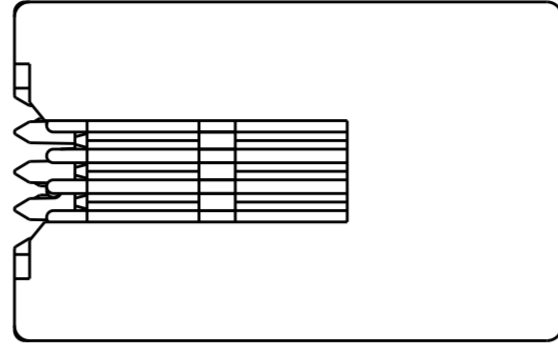


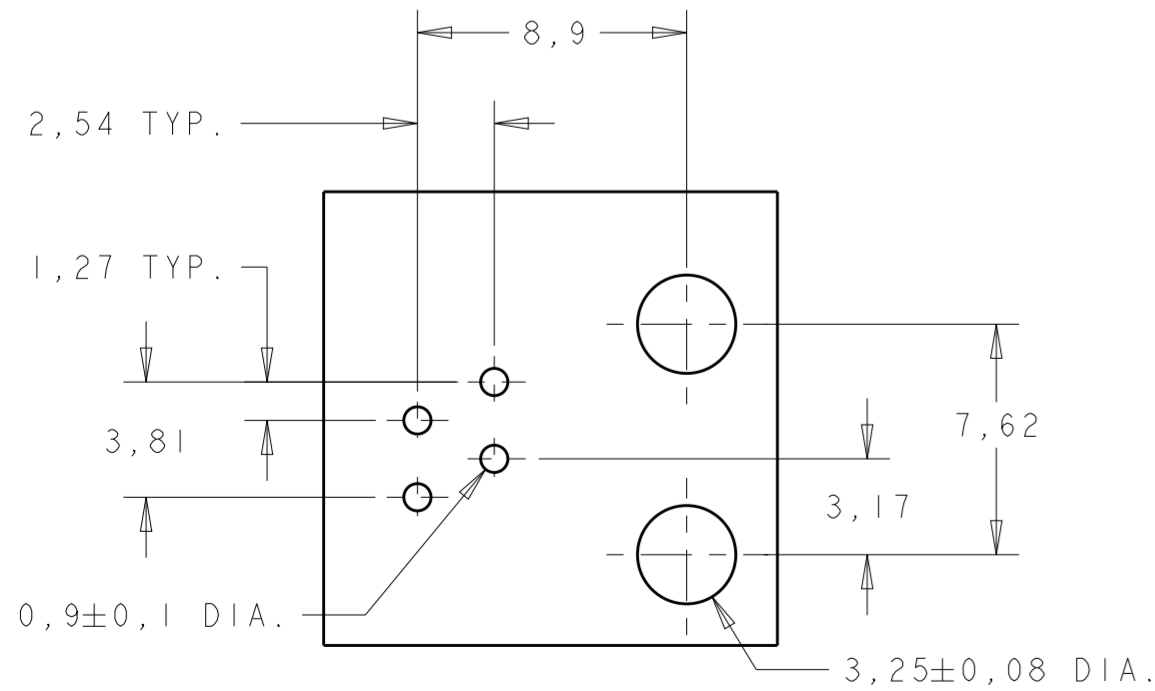
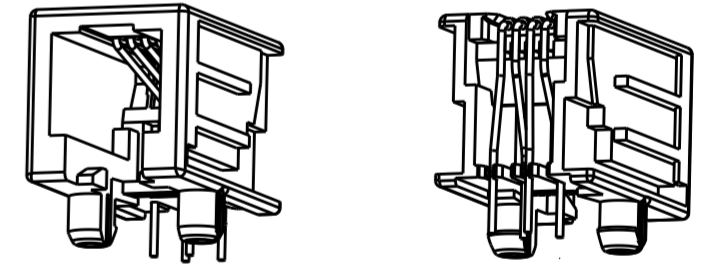
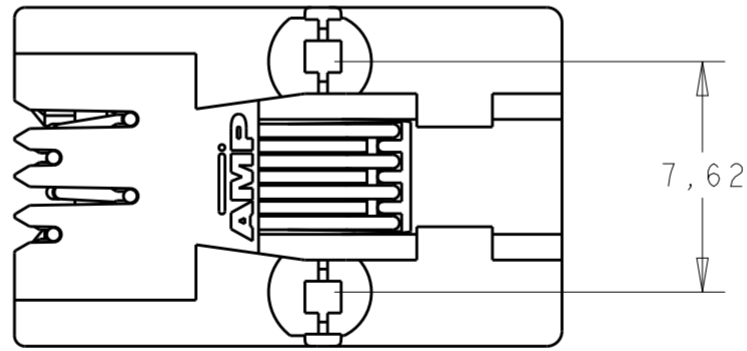
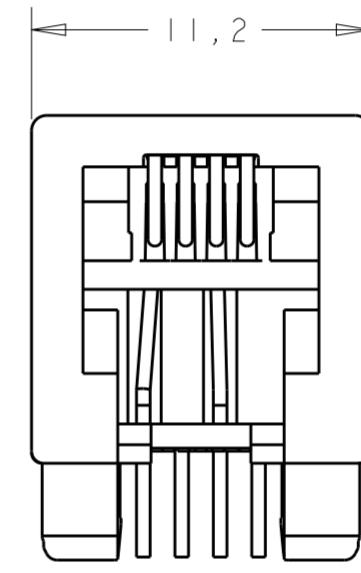
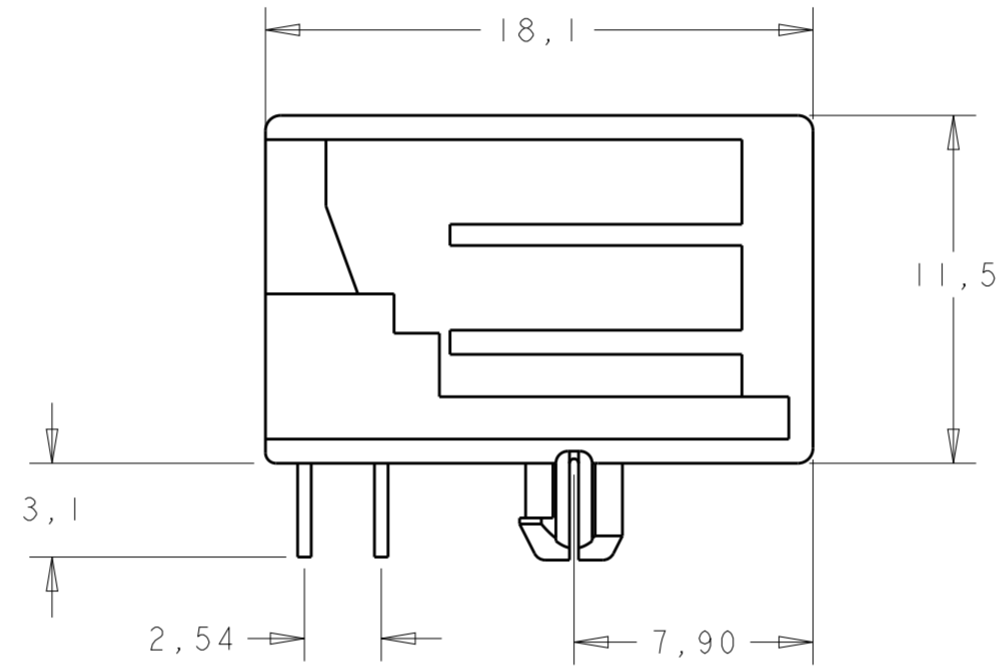
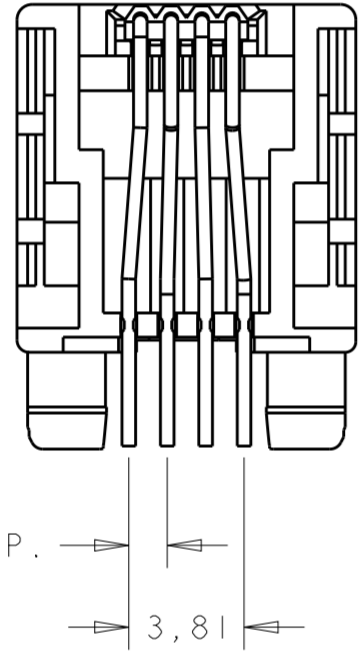
THIS DRAWING IS UNPUBLISHED. RELEASED FOR PUBLICATION
 © COPYRIGHT copyright_date ALL RIGHTS RESERVED.

LOC	DIST	REVISIONS			
P	LTR	DESCRIPTION	DATE	DWN	APVD
U		ECR-05-012760	1-OCT-05	-	JB
V		ECR-10-020218	28DEC2010	PS	RRP
W		ECO-13-015831	9OCT2013	AD	SH
-	-	-	-	-	-



NOTES:

- 1 TOLERANCE UNLESS OTHERWISE SPECIFIED: 0,15.
- 2 BULK PACKAGING: TRUE POSITIONING OF THE SOLDER TINES IS NOT GUARANTEED.
- 3 SUPERSEDED BY 1-215876-3
- 4 SUPERSEDED BY 215875-1



PRINTED CIRCUIT BOARD LAYOUT

(VIEW SHOWN IS CIRCUIT (NON-COMPONENT) SIDE OF BOARD.)
 PRINTED CIRCUIT BOARD THICKNESS: 1,6mm NOMINAL.
 TOLERANCE UNLESS OTHERWISE SPECIFIED: ±0,05.

OVERALL: Ni 1.27µm MIN. ALL OVER THE CONTACTS	HOUSING, COLOR BLACK: PBT 20% GF, UL 94V-0 CONTACT INSERT: PBT, UL 94V-0 CONTACTS: PH, BRONZE	290 PCS IN A TRAY	1-215875-3
SOLDER ZONE: Sn 2.5µm MIN. ON THE SOLDER ZONE OF THE CONTACT		50 PCS IN A TUBE (SEE SHEET 2)	3-215875-3
MATING ZONE: PLATING CONFIRMS TO PRODUCT REQUIREMENTS AS PER SPECIFICATION 108-19064		BULK PACKAGED IN A BOX	4 2-215875-1
		126 PIECES IN MULTI-TUBE	3 1-215875-1
		TAPE MOUNTED 1000pcs./reel	215875-1
FINISH	MATERIAL	PACKAGING	PARTNUMBER

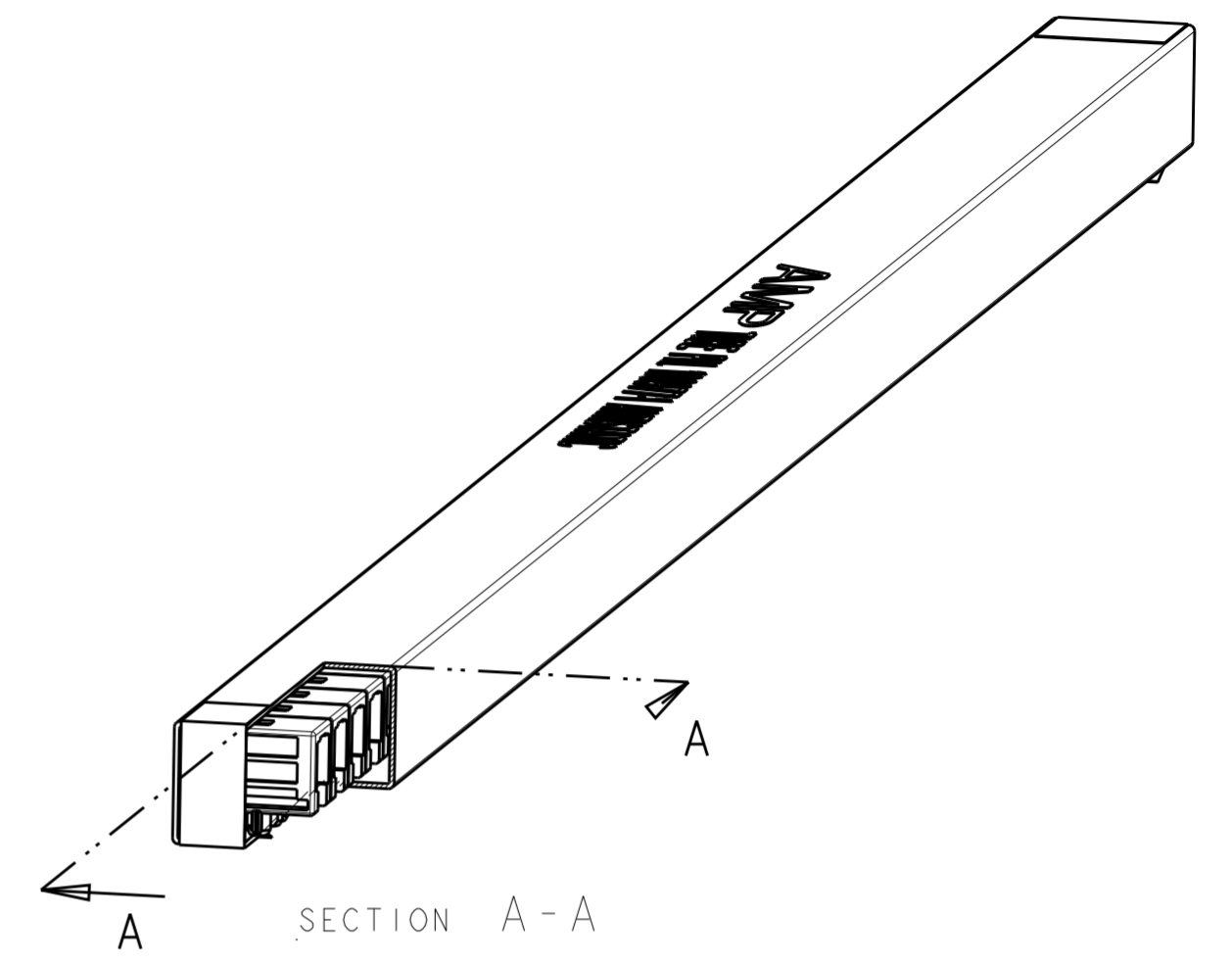
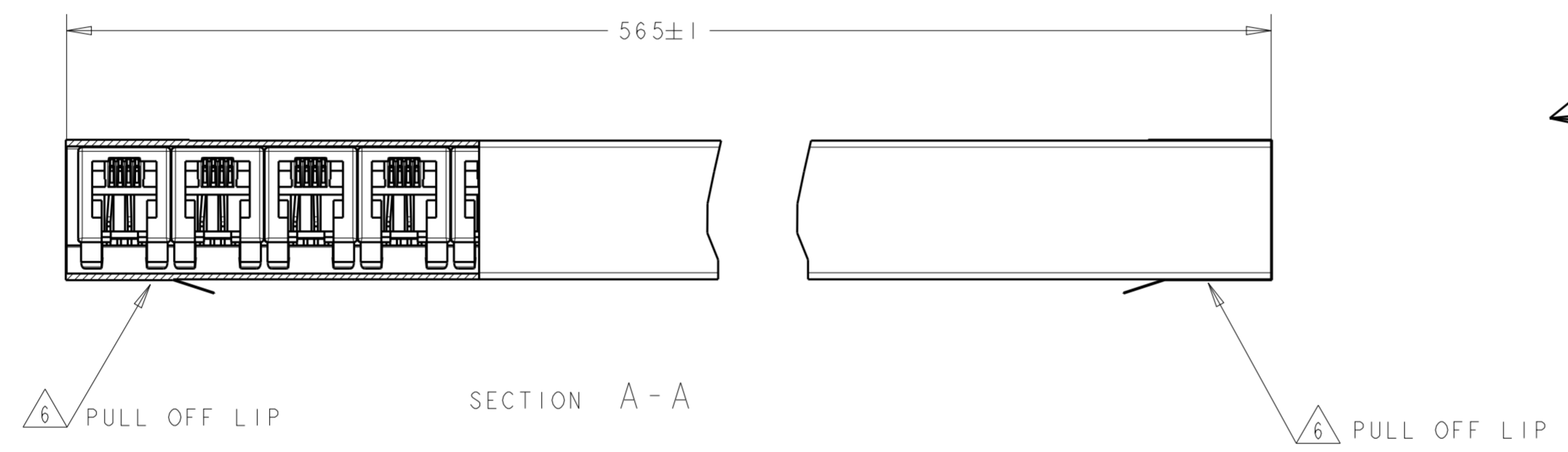
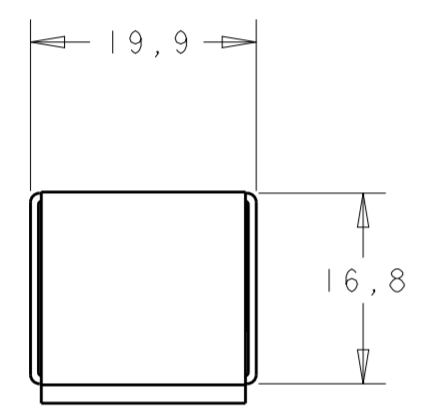
THIS DRAWING IS A CONTROLLED DOCUMENT.		DWN E. v. EIJK	STE TE Connectivity	
		CHK M. v. ESSEN		
DIMENSIONS: mm		APVD R. SMEETS	NAME MODULAR JACK SIDE ENTRY 4/4 FOR PRINTED CIRCUIT BOARD	
TOLERANCES UNLESS OTHERWISE SPECIFIED:		PRODUCT SPEC 108-19064	RESTRICTED TO	
0 PLC ±		APPLICATION SPEC 114-19019	SIZE A2	CAGE CODE 0779
1 PLC ±		WEIGHT	DRAWING NO C-215875	SCALE 4:1
2 PLC ±			SHEET 1	OF 2
3 PLC ±			REV W	
4 PLC ±				
ANGLES ±				
FINISH				
MATERIAL				
		CUSTOMER DRAWING		

THIS DRAWING IS UNPUBLISHED. RELEASED FOR PUBLICATION
 © COPYRIGHT copyright_date ALL RIGHTS RESERVED.

LOC	DIST	REVISIONS			
P	LTR	DESCRIPTION	DATE	DWN	APVD
IR	-	SEE SHEET 1	-	-	-
-	-	-	-	-	-
-	-	-	-	-	-
-	-	-	-	-	-

NOTES:

- 5 TUBE IS TRANSPARANT PVC.
- 6 TUBE IS CLOSED AT BOTH ENDS BY A TAPE.



THIS DRAWING IS A CONTROLLED DOCUMENT.

DWN	E. v. ELJK	 TE Connectivity	NAME		
CHK	M. v. ESSEN		MODULAR JACK SIDE ENTRY 4/4 FOR PRINTED CIRCUIT BOARD		
APVD	R. SNEETS		SIZE	CAGE CODE	DRAWING NO
PRODUCT SPEC	108-19064		A20779	C-215875	RESTRICTED TO
APPLICATION SPEC	114-19019	SCALE 4:1		SHEET 2 OF 2	
WEIGHT	-	CUSTOMER DRAWING		REV W	