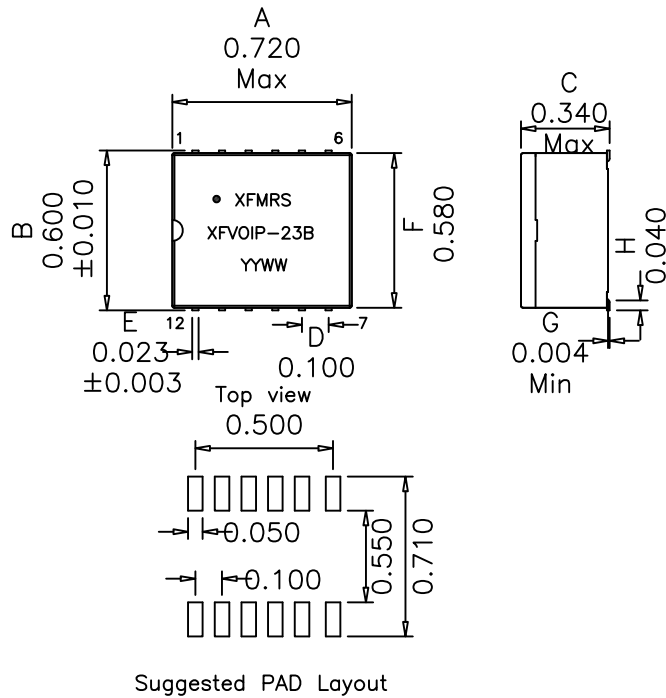
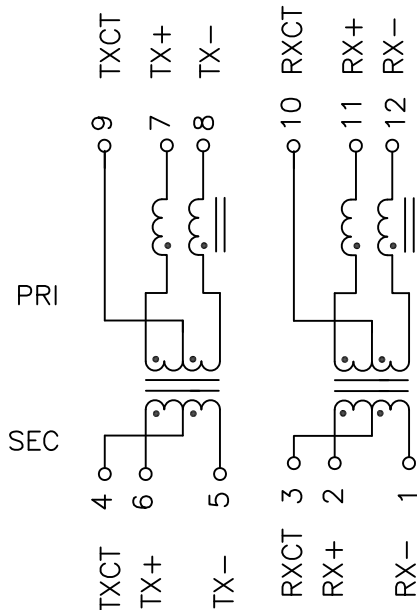


1. Mechanical Dimensions:



2. Schematic:



DOC. REV: A/2

3. Electrical Specifications: @25°C

HIPOT: 1500Vrms

OCL: 350uH Min @100KHz 0.1V 35mAdc

OCL: 200uH Min @100KHz 0.1V 35mAdc at -40C and +85C

Q: 5 Min @10KHz 50mV

Pri DCR: 0.6 Ohms Max

Sec DCR: 0.5 Ohms Max

Cw/w: 45pF Max @100KHz 0.1V

TURNS RATIO: (PRI/SEC) 1CT:1CT ±2%

Insertion Loss:

@0.1–100MHz 1.0dB Max

@100–125MHz 1.2dB Max

Return Loss:

@1–40MHz 18dB Typ

@40–50MHz 16dB Typ

@50–80MHz 12dB Typ

@80–100MHz 10dB Typ

Balanced DC Line Current: 800 mA Max @57Vdc continuous
1.0A Max @57Vdc for 200ms

Notes:

- Solderability: Leads shall meet MIL-STD-202G, Method 208H for solderability.
- Flammability: UL94V-0
- ASTM oxygen index: > 28%
- Insulation System: Class F 155°C. UL file E151556
- All listed parameters are to be within tolerance from -40°C to +85°C unless otherwise noted.
- Storage Temperature Range: -40°C to +85°C
- Aqueous wash compatible
- SMD Lead Coplanarity: ±0.004"(0.102mm)
- Electrical and mechanical specifications 100% tested
- RoHS Compliant Component

XFMR Inc. www.XFMR.com	Title: 60W POE XFMR		
	UNLESS OTHERWISE SPECIFIED TOLERANCES: .xxx ±0.010 Dimensions in Inch		P/N: XFVOIP-23B REV. A
SHT 1 OF 1	DWN.	Yuan	Aug-03-15
	CHK.	YK Liao	Aug-03-15
	APP.	DDC	Aug-03-15

PROPRIETARY

Document is the property of XFMR Group & is not allowed to be duplicated without authorization.